

FUMAGALLI SLIDER



 **Fumagalli Componenti**

PARIS | LONDON | NEW YORK | WIEN | MILAN | ROME | VENICE

www.fumagallidryers.com



SLIDER

Movable support thought to adapt the height of the hair dryer MG88H to each user

Other colours available



Made in Italy
Italian design and technology



Vandal-proof
Thanks to the compact and sturdy structure



Thief-proof
Thanks to special screws



New
Exclusive product

Technical Details

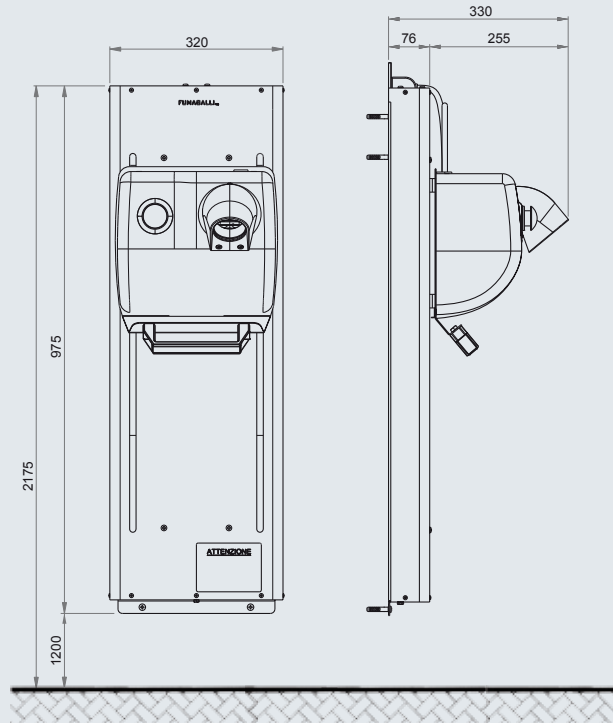
Body material	Stainless steel 2 mm
Dimensions	320 x 975 x 330 mm
Regulation	375 mm
Installation height from the floor to the slider base	1200 mm
Net weight (with hair dryer)	32 kg

HAIR DRYER MG88H

Functioning	Push button
Cover material	Stainless steel AISI 304
Net weight	8 kg
Supply voltage	110/130 V - 220/240 V
Main frequency	50/60 Hz
Absorption motor/n° revolutions	250 W/7800 rev./min
Heating element absorption	2000 W
Overall absorption	2250 W
Ingress protection level	IP21
Air speed at nozzle outlet	85 km/h
Air flow at nozzle outlet	4,3 m³/min
Noise level at 3 m	63,9 dBA
Electrical protection level (110/130 V)	Class I
Electrical protection level (220/240 V)	Class II
Quality marks 110/130 V	UL
Quality marks 220/240 V	TUV/CE



Dimensions



Tested quality

Fumagalli Componenti reserves the right to modify the products without notice. Reproduction of photos and/or logos without authorisation is illegal and strictly prohibited.