



Lockers, benches & shelves



KEMMLIT For every demand

As market leader for washroom cubicles, KEMMLIT offer a variety of high class solutions ranging from cubicles and lockers to entire washrooms. Everything we do is based on a clear commitment to the highest quality regarding products,

our consulting service and installation. What sets us apart is qualified know-how, state-of-the-art manufacturing and innovative design. For these reasons we have received numerous prizes and awards within the last few years.

What can we do for you?

For further information:
www.kemmlituk.com
Status 11/2017



reddot award 2016
winner



product design award
2012



ARCHITEKTUR BAUWESEN

Lockers, benches & shelves

At a glance

KEMMLIT For every demand	2
IXOS® P Sturdy and long-lasting	4
Typ R Wet area solution	6
Typ S Low-budget solution	7
KEMMLIT Personnel lockers	10
KEMMLIT Wardrobe lockers	11
KEMMLIT Deposit box lockers	12
KEMMLIT Lockers for valuables	13
Locker systems Examples for fittings	15
KEMMLIT Benches	16
Benches Examples for construction	17
KEMMLIT Shelves and hairdryer stations	18
Locker systems Planning aid	20
KEMMLIT Colour concept	22
KEMMLIT Our promise	23



kemmlituk.com



Wardrobe lockers IXOS P with attached bench seating at the swimming pool „Sonnenbad“, Schwarzenberg

IXOS® P Sturdy and long-lasting

The customised locker system IXOS P consists of solid grade HPL panels, which are connected with special aluminium profiles and are assembled on site with an innovative plug-in arrangement. Water resistance and ease of cleaning as well as high resistance to impact, breakage and scratching help distinguish this product in particular.

Two different door options can be chosen: doors made of 13 mm thick HPL or as an alternative in 8 mm thick toughened safety glass. Special colours and individual digital prints are available on request. The glass doors are attached via special clamping profiles made of satin anodised aluminium. It features solid fittings such as hinges and door opening restraints

made of stainless steel as well as standard protection against break-in. These guarantee reliable functioning, even under the toughest conditions. Attached bench seating, sloping tops or special ventilation systems widen the area of application for IXOS P.





Wardrobe locker type R in special colours

Typ R Wet area solution

The locker carcass consists of environmentally friendly, easy to clean and sea-water resistant aluminium. The high quality aluminium is corrosion resistant even at the cut edges. The locker system is TÜV and GS (safety tested) certified. Type R is ideally suited for personnel, wardrobe and deposit box lockers as well

as lockers for valuables. Two different door options are available: doors made of 13 mm HPL with bevelled edges to prevent injuries or as an alternative made of 15 mm thick aluminium. The aluminium doors are enamelled with the scratch-resistant surface Crystal Coat.



Personnel lockers type S in special colours with electronic locks

Typ S Low-budget solution

The customised locker solution type S is made of sheet steel with scratch and abrasion resistant stoved enamel finish. Due to galvanisation with aluminium components the lockers offer increased corrosion resistance. This KEMMLIT locker system has also been TÜV certified. Type S is the solution which is particularly good value for money for individual and long-lasting locker systems.

Two different door options are also available: doors made of 13 mm HPL with bevelled edges to prevent injuries or as an alternative made of 15 mm thick sheet steel with scratch-resistant surface.



Personnel lockers type S in special colours and with electronic locking system at the company Erbe Elektromedizin Tübingen



280

279

278



Double-tier locker IXOS P with shoe tray, shoe rack and clothes rail

KEMMLIT Personnel lockers

Whether in the chemical, processing or food industry, requirements are diverse and demanding, hence bespoke and individual solutions are essential. Personnel lockers are generally allocated to individual employees. The separation of work and casual clothes is sometimes mandatory within some companies. KEMMLIT provides proven solutions for this requirement: not only double-lockers with combined lock to separate clothes.

Creative individual solutions can also help under these circumstances. For instance we have developed a “bike-model” personnel locker with a hook for the helmet, pull-out towel holder, deodorant and shampoo shelf and a shoe tray – for all environmentally conscious employees, who use their bike to get to work. Our local representative will gladly help you find the suitable locker.



KEMMLIT Wardrobe lockers

The wardrobe lockers for swimming pools, saunas, gyms or leisure centres can also be tailored to suit the user's requirements including height, width and depth. Along with special requirements regarding wet area suitability and break-in resistance, individual interior fittings such as top hooks, hat shelves or ventilation systems are of particular importance.

Z-shaped lockers are a frequently selected construction in order to save space but still offer the user the possibility to hang long articles of clothing without wrinkling. It is also possible to combine Z-shaped lockers with regular locking systems.



Lockers type R at the Beckenham Spa, London

KEMMLIT Deposit box lockers

The shapely deposit box lockers offer vandal resistant compartments with increased break-in resistance due to special security pins, projecting door profiles and further refined details, so all things of value remain under lock and key. All locking systems, ranging from cam locks to coin return or retain locks, are available.

Our project engineers implement variable compartment sizes and arrangements, dependent on the items stored combined with the individual interior fittings, as well as project specific colour concepts according to individual requirements.



KEMMLIT Lockers for valuables

The lockers for valuables have been designed by KEMMLIT for swimming pools and leisure parks and can be ideally combined with wardrobe and deposit box lockers. The lockers for valuables by KEMMLIT are space-saving, very solid as well as visually pleasing.

The small units offer the user a safe place for small, valuable items in a confined space. Due to the solid carcass, the stainless steel hinges and the robust doors, these lockers are break-in resistant.



Lockers for valuables and wardrobe lockers IXOS P at the swimming pool in Heringen

Locker systems Examples for fittings



Studded base made of sheet metal, or HPL without studs



Grated base and supporting stand made of aluminium



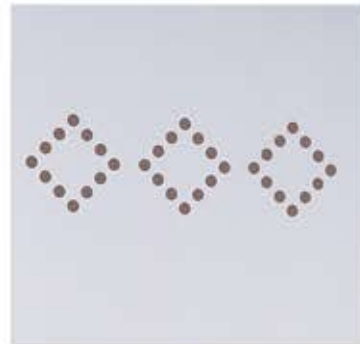
Perforated sheet metal base, for HPL with drilled holes



Door opening restraint (90°) made of stainless steel



Hat shelf made of sheet metal or HPL with double hooks



Ventilation perforation rhombus shaped in the back panel



Safety pin and eyelet for break-in resistance



Number plate or engraved numbers for HPL doors



Coin return lock



Ticket / coin return or retain lock



Electronic locking system



Bench cube made of 13 mm HPL in traffic white 9317, plinth in graphite 7808



Bench seating U-shaped made of HPL with aluminium supporting legs



Bench seating type U1, model no. 5210 with shoe rack



Locker system IXOS P with attached/ pull-out bench seating

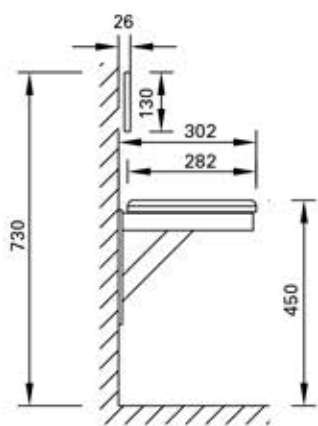
KEMMLIT Benches

KEMMLIT bench seating distinguishes itself by its high quality, stability and longevity. The conventional wardrobe bench seating systems with bench seat top and supporting stand can be applied in both dry and wet areas. The bench seat top consists of solid grade HPL

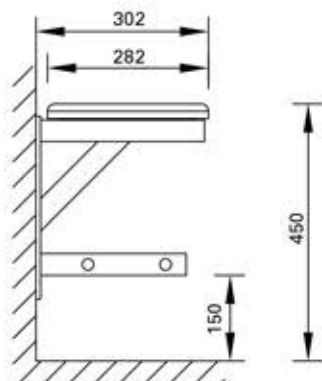
panels with additional overlay. Combined with the brackets and supports made of satin anodised aluminium this ensures a solid and extremely durable bench seat. On request the bench seating is also available with safety peg rail made of round aluminium profiles.

The safety three-in-one hooks are made of aluminium as well. Available as an exclusive alternative is the bench cube made of 13 mm solid grade HPL with black core. The bench cube consists of a carcass that is closed all around. The plinth is 50 mm high.

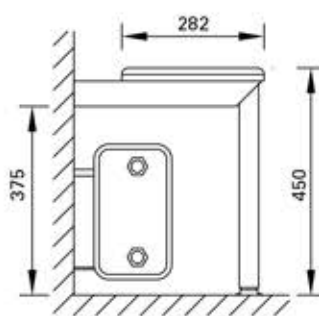
Benches Examples for construction



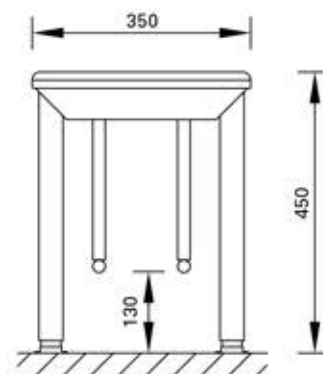
Model no. 3000
Wall-hung



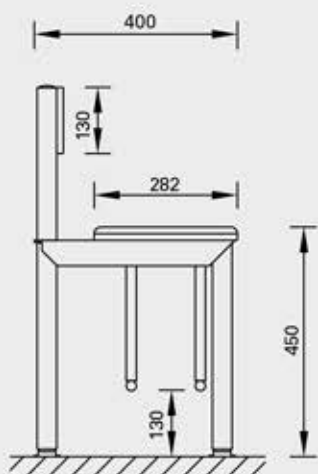
Model no. 3010
Wall-hung with shoe rack



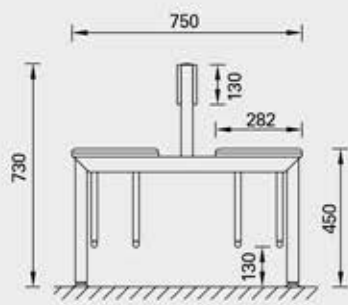
Model no. 3100 Wall-mounted
Model no. 3510 with shoe rack



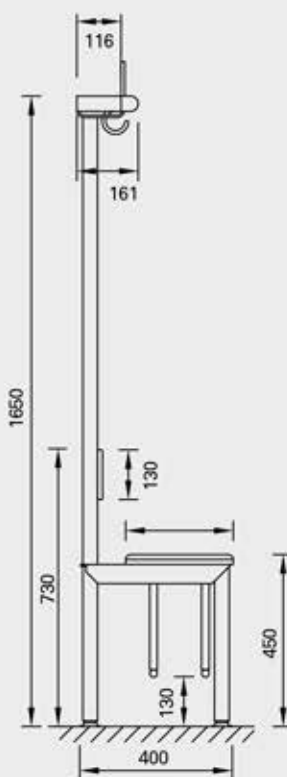
Model no. 3600 Free-standing
Model no. 3610 with shoe rack



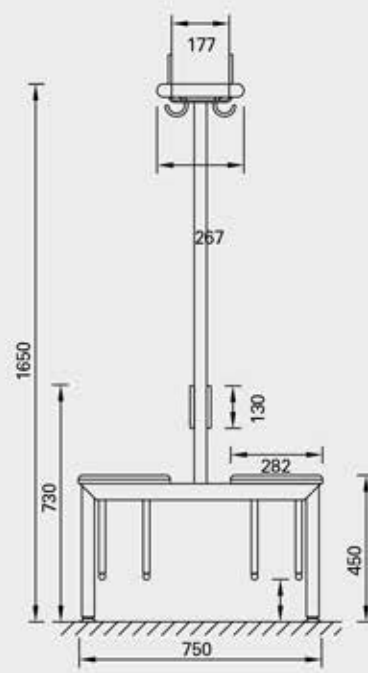
Model no. 3700 with back rest,
no. 3710 with shoe rack



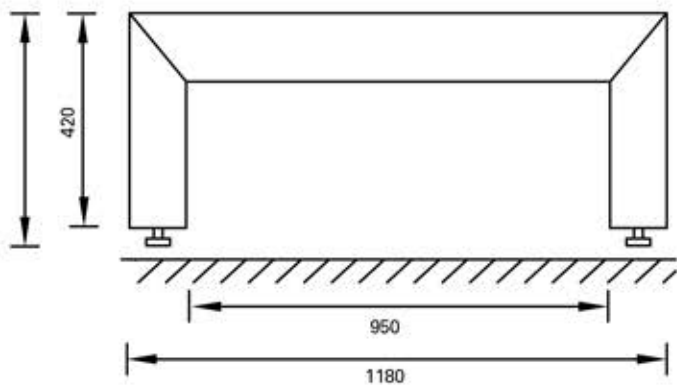
Model no. 3800 with back rest,
no. 3810 with shoe rack



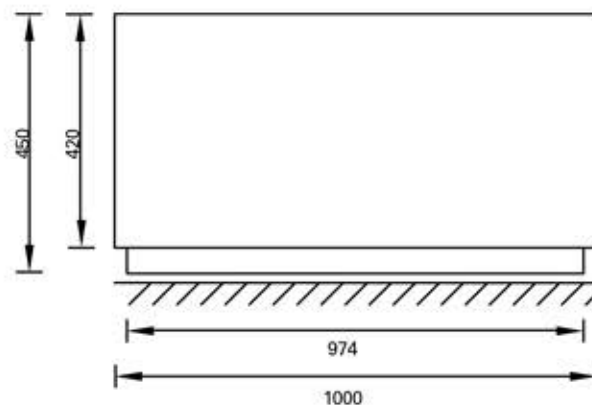
Model no. 5100 with peg rail,
no. 5110 with shoe rack



Model no. 5200 with peg rail,
no. 5210 with shoe rack



Bench U-shaped made of HPL



Bench cube made of HPL



KEMMLIT Shelves and hairdryer stations

Shelves made by KEMMLIT are available made of either HPL or of toughened safety glass. Shelves made of solid grade HPL are 13 mm thick. HPL is extremely water-, scratch- and decoy-resistant, anti-bacterial and also resistant to chemicals. Shelves made of 10 mm thick toughened safety glass are supremely sturdy, scratch-resistant and easy to clean.

They can either be created with satin, structured finish or colour enamelled. The smoothed edges look elegant and protect against injuries. The shelves are custom made and can be done with or without a back panel.

Mounting to the wall with brackets, on builder`s plinth or with supporting legs are all possible. All corners and edges are rounded or bevelled to prevent injuries. On request the shelves can also be provided with doors and locks.



Made-to-measure hairdryer stations in conjunction with mirrors offer a wide range of design options. Hairdryer stations made from solid grade HPL are extremely robust and ideally suited to withstand heavy everyday use in fitness centres, sports centres and swimming pools.

Lockers, benches & shelves Planning aid

Systems	Carcass	Doors	Interior fittings	Suggestions for combinations
IXOS P	<ul style="list-style-type: none"> • Modern plug-in design • Side and back panels made of 4 mm HPL • Top and base panels made of 8 mm HPL • Melamine resin coated surface • Colour white • Aluminium profiles either powder-coated or satin anodised • Flat or sloped top • Optionally supporting stand with or without attached bench seating, or wall hung • Set up on in situ plinth also possible • Sizes and measurements are fitted to customer's preference • Engravings on end panels (HPL) available 	<p><u>1. option:</u></p> <ul style="list-style-type: none"> • 13 mm HPL • Recessed or projected profiles, powder-coated or satin anodised • 15 colours • Stainless steel hinges • Door opening restraint made of stainless steel • Number plates or engraved numbering <p><u>2. option:</u></p> <ul style="list-style-type: none"> • 8 mm thick toughened safety glass • Ceramic silk screen print • Recessed profile • Stainless steel hinges • Door opening restraint bar made of stainless steel 	<ul style="list-style-type: none"> • Optionally with or without drilling holes in the base or grated base • Recessed carcass base and top panel for air ventilation • Interior fittings can be chosen freely for each locker construction 	<ul style="list-style-type: none"> • Cubicle system cronus • Cubicle system PRIMO Kn • Bench seating Type U • Shelves made from HPL <p>• Your KEMMLIT representative will be glad to assist you personally!</p>
Type R	<ul style="list-style-type: none"> • Aluminium carcass • Sea water resistant • Recyclable • Innovative compression joint procedure • Enamelled overlay in colour lagoon white • Flat or sloped top • Optionally supporting stand with or without attached bench seating, or wall hung • Set up on in situ plinth also possible • Sizes and measurements are fitted to customer's preference • Engravings on end panels (HPL) available 	<p><u>1. option:</u></p> <ul style="list-style-type: none"> • 13 mm HPL • Stainless steel hinges • Door opening restraint made of stainless steel • Number plates or engraved numbering <p><u>2. option:</u></p> <ul style="list-style-type: none"> • Aluminium • Double shelled 15 mm thick • Rounded corners • "Crystal coat" overlay • Stainless steel hinges • Door opening restraint made of stainless steel • Number plates available 	<ul style="list-style-type: none"> • Optionally with studded, perforated or grated base • Air ventilation through perforation available • Interior fittings can be chosen freely for each locker construction 	<ul style="list-style-type: none"> • Cubicle system cronus • Cubicle system variocell • Bench seating Type U • Shelves made from HPL <p>• Your KEMMLIT representative will be glad to assist you personally!</p>
Type S	<ul style="list-style-type: none"> • Steel carcass • Galvanised • Innovative compression joint procedure • Enamelled overlay in colour lagoon white • Flat or sloped top • Optionally supporting stand with or without attached bench seating, or wall hung • Set up on in situ plinth also possible • Sizes and measurements are fitted to customer's preference • Engravings on end panels (HPL) available 	<p><u>1. option:</u></p> <ul style="list-style-type: none"> • 13 mm HPL • Stainless steel hinges • Door opening restraint made of stainless steel • Number plates or engraved numbering <p><u>2. option:</u></p> <ul style="list-style-type: none"> • Sheet steel • Double shelled 15 mm thick • Rounded corners • Stainless steel hinges • Door opening restraint made of stainless steel • Number plates available 	<ul style="list-style-type: none"> • Optionally with studded, perforated or grated base • Air ventilation through perforation available • Interior fittings can be chosen freely for each locker construction 	<ul style="list-style-type: none"> • Cubicle system cronus • Cubicle system variocell • Bench seating Type U • Shelves made from HPL <p>• Your KEMMLIT representative will be glad to assist you personally!</p>

Subject to technical changes 07/2017

Construction	Applications	Standard sizes (special sizes on request)	Specific features
Personnel lockers IXOS P Type R Type S	Customer groups: <ul style="list-style-type: none"> Industry / Administration Pharmaceutical / Medical Automotive Industry Hotel / Catering Food Industry Hospitals Etc. Areas of use: <ul style="list-style-type: none"> Street / work clothes Personnel Etc. 	<p>Variable number of lockers</p>	Single tier unit Max. carcass height 1850 mm Max. carcass width 600 mm Max. carcass depth 800 mm Standard depth 520 mm Double tier unit with a pair of closing doors secured with a single lock. Single door locker with either movable or fixed partition - optionally without partition.
Wardrobe lockers IXOS P Type R Type S	Customer groups: <ul style="list-style-type: none"> Swimming pools Sauna / Fitness Hotel / Catering Health resort Hospitals Etc. Areas of use: <ul style="list-style-type: none"> Street / work clothes Personnel Etc. 	<p>Variable number of lockers</p>	Variable door division 1 – 3-tier max. carcass height 1850 mm max. carcass width 600 mm max. carcass depth 800 mm Reinforced break-in protection Space-saving Z-lockers with either HPL or glass doors available (except IXOS L)
Deposit box lockers IXOS P Type R Type S	Customer groups: <ul style="list-style-type: none"> Schools Universities Clinics Rehabilitation centres Administration Etc. Areas of use: <ul style="list-style-type: none"> Bags / clothes Bike helmets Sports equipment Etc. 	<p>Standard sizes (special sizes on request)</p>	Variable door division 1 – 6-tier max. carcass height 1850 mm max. carcass width 600 mm max. carcass depth 800 mm Variable locker compartment sizes according to stored items Construction
Lockers for valuable items IXOS P Type R Type S	Customer groups: <ul style="list-style-type: none"> Swimming pools Camping sites Leisure parks Sauna / Fitness Etc. Areas of use: <ul style="list-style-type: none"> Mobile phones Keys Glasses Small change Etc. 	<p>Variable numbers of compartments</p> <p>Variable numbers of lockers</p>	Variable door division 1 – 9-tier max. carcass height 1850 mm Minimum dimensions for compartments: HPL/aluminium/ steel sheet doors Height 200 mm Width 200 mm Depth 200 mm Glass doors Height 280 mm Width 250 mm Depth 200 mm

Locker support and top options	Diagram	Options
		<ol style="list-style-type: none"> Supporting stand made from aluminium with adjustable legs In situ concrete plinth Supporting stand with attached bench seating, height 460 mm In situ concrete plinth with attached bench seating Wall hung construction Flat top Sloped top (also available with air ventilation)
Supporting stands on request available with infill panels. All locker constructions available with flat or sloped tops.		

KEMMLIT Colour concept

KEMMLIT offers a variety of colours and combination possibilities. The selection is endless. Even special colours and individual **digital prints** are available on request.

Locker doors, locker infill panels, benches and shelves made of HPL:



Locker doors, locker infill panels and shelves made of toughened safety glass (TSG):



Locker doors, locker infill panels made of aluminium:



Locker doors, locker infill panels made of steel sheet as well as profiles made of aluminium:



Colour concept valid from 07/2017

¹shelves only

²locker doors only

³profiles only

Please note, that the colours shown above may slightly differ from the original colour due to typographic reasons. We would gladly advise you personally.



ON-TIME INSTALLATION

98% of all requested delivery
dates can be fulfilled



FASTEST PRODUCTION & INSTALLATION

Prompt and on-schedule
delivery



IMMEDIATE REPAIR

Immediate repair
when you need it



HIGHEST PRODUCT QUALITY

Top quality in terms of material and
processing



WE ARE IN YOUR VICINITY

Individual consulting service by
professional sales representatives



KEMMLIT UK | Bays Platt | Skirmett | Henley-on-Thames Oxfordshire RG9 6TD | United Kingdom

Tel.: +44 (0) 1491 / 638 606 | info@kemmlituk.com | kemmlituk.com