

Technical data

Heavy duty isolators 500 -18000N
4008, 4014 and 4022 series



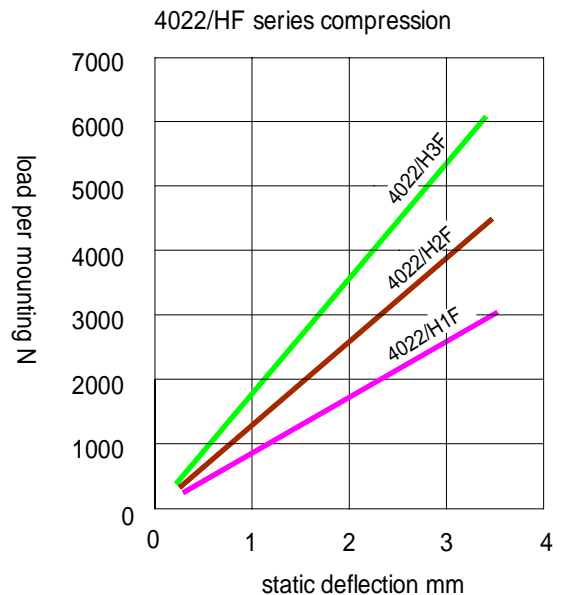
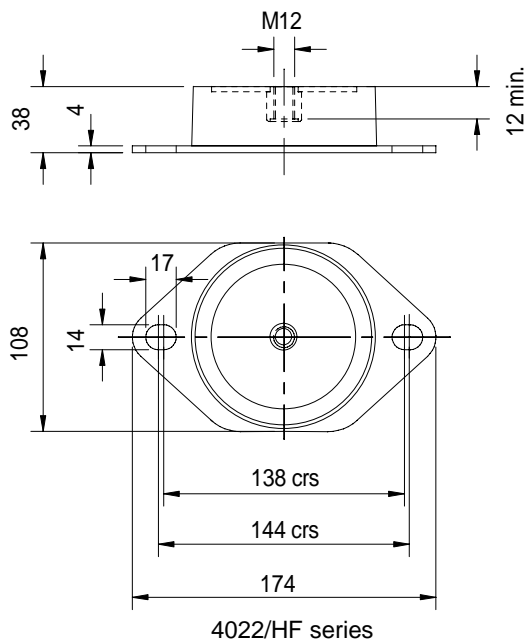
Heavy duty isolators

The heavy duty isolator series are designed to be used in compression. The range available is covered by three different sized products, each of which can be manufactured in a variety of different rubber compounds to offer a wide range of load deflection characteristics from 500N to 18KN per unit.

The high deflection characteristics of the 4008 and 4014 series mountings make them particularly suitable for applications where the load acting on the mountings may

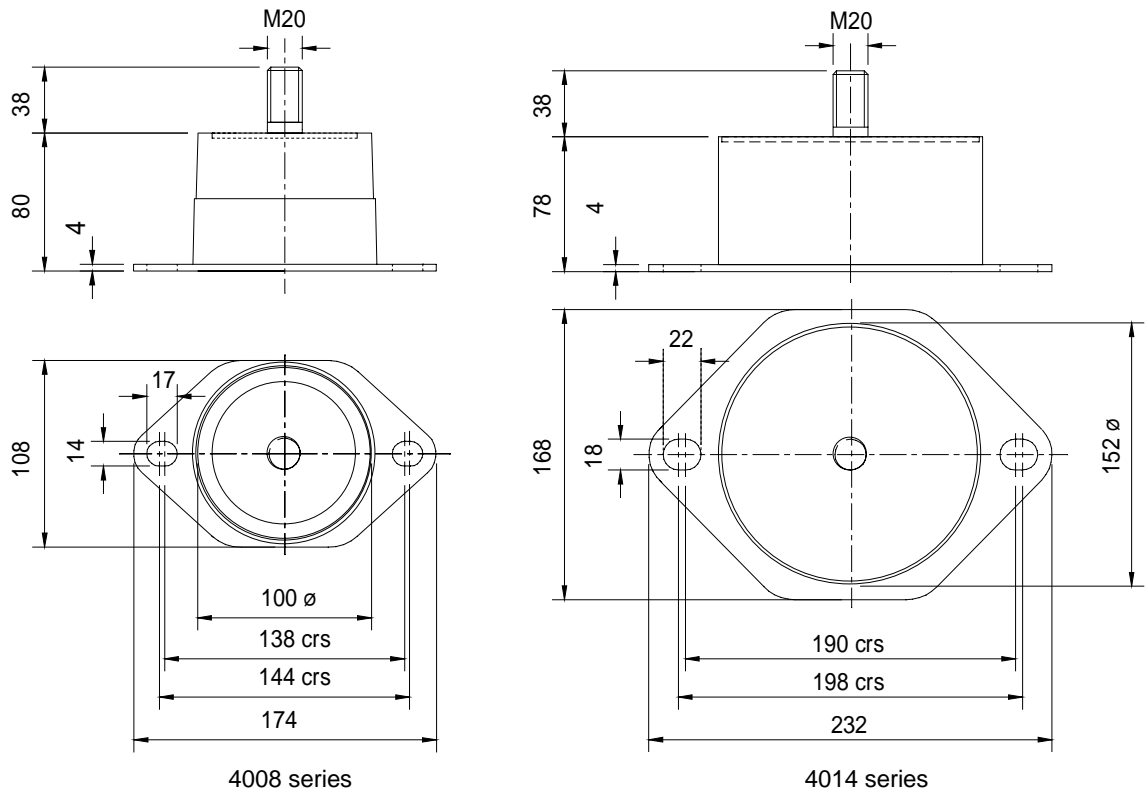
be subject to large variations during the normal operating cycle of a machine. The 4008 and 4014 series are ideal for isolating generating sets, air compressors, large fan and motor sets, vibratory hoppers, concrete panel moulds, transformers and heavy industrial equipment.

The 4022 series is the smallest of the group and is designed to isolate medium to high speed machinery operating at running speeds in excess of 2000rpm, e.g. high speed blowers, water pumps and compressors.



Heavy duty isolators 500 - 18000N
4008 and 4014 series

Technical data



Note: Both the 4008 and 4014 series mountings can be supplied to special order with a female M20 fixing in the top of the mounting.

