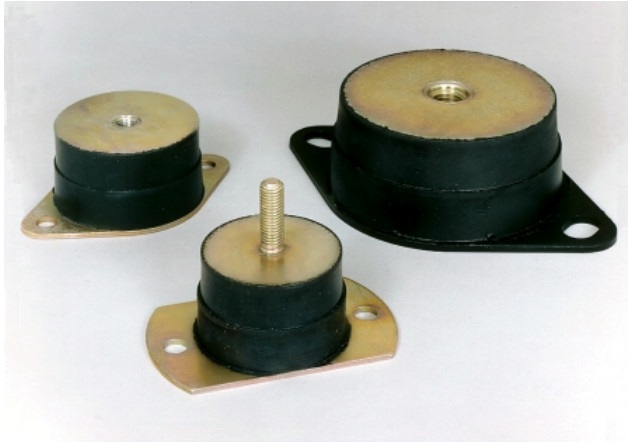


Technical data

Pedestal series 500 - 48000N

P2 series, **P3** series, **P5** series and **P6** series



Pedestal series mountings

The Pedestal series offers a uniquely versatile solution to a wide range of applications. The baseplate fixing lends itself to installations where ease of fitting is a priority.

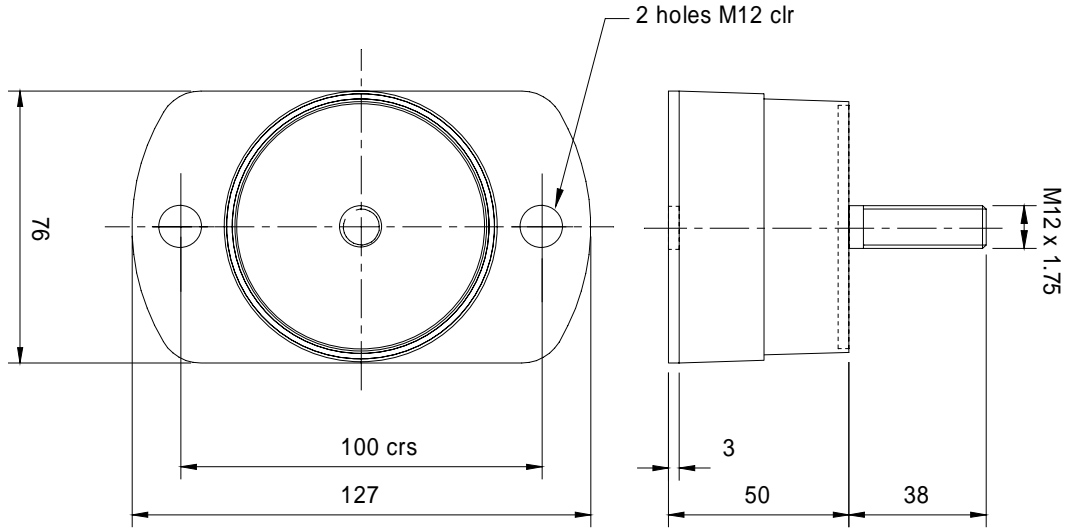
The range available covers four different sizes. Each size is manufactured in a range of different hardness compounds to offer a wide range of load deflection characteristics. The array of different type numbers available in each series helps to make it easier to arrive at a solution to any vibration problem where there is an uneven weight distribution resulting in dissimilar loads at each mounting position.

The basic load range covered by each series is detailed in the following table:

P2 series	500 - 4500N
P3 series	1000 - 7200N
P5 series	1000 – 18000N
P6 series	4000 – 48000N

The Pedestal series is a general purpose mounting suitable for a wide range of industrial applications. Typical applications include the mounting of static generating sets, fan and motor sets, load cells, vibratory hoppers, water pumps etc.

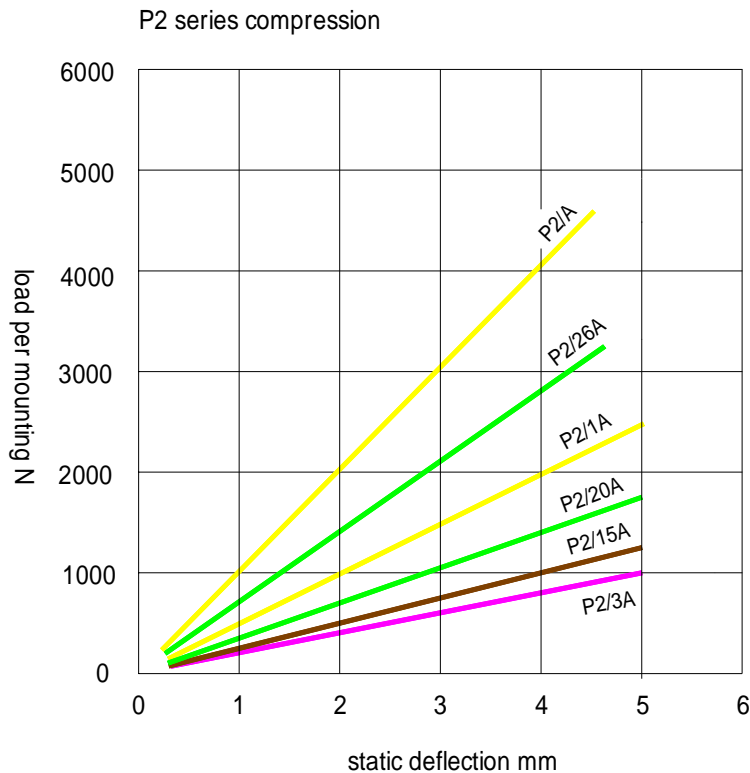




The **P2** series in standard form comes with an M12 male fixing in the top of the mounting. It can also be supplied with an M12 female fixing in the top of the mounting. Female variants are identified by adding the suffix f to the part number given below, e.g. P2/3af

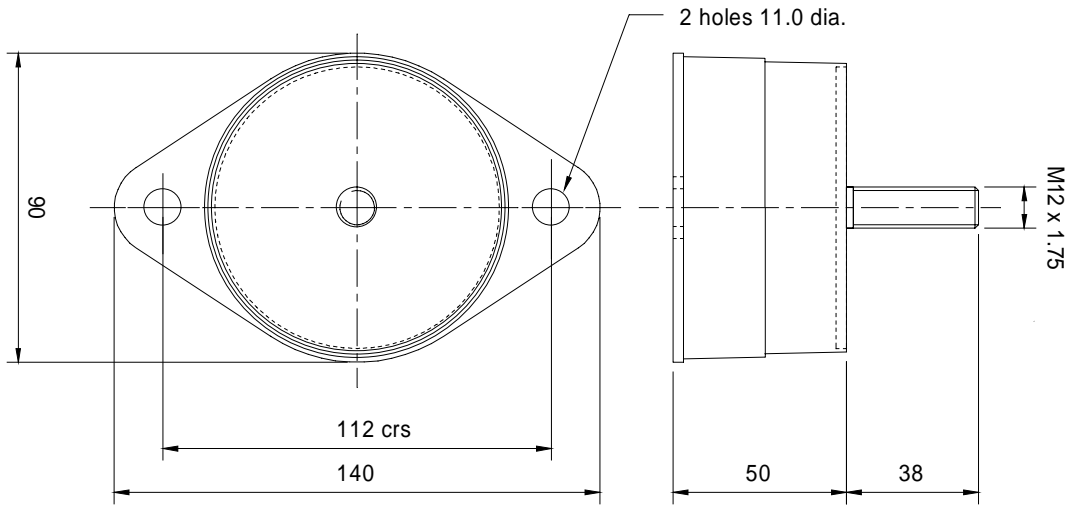
table - maximum loads

part no:	colour code	compression
P2/3A	purple	1000N
P2/15A	brown	1250N
P2/20A	green	1750N
P2/1A	yellow	2500N
P2/26A	green-green	3250N
P2/A	yellow-yellow	4500N



Technical data

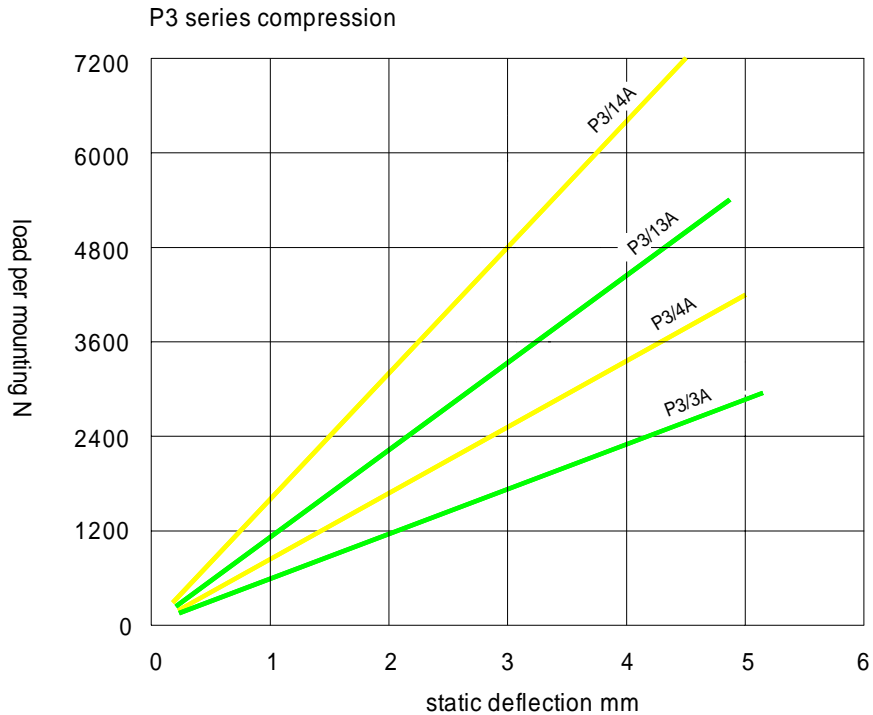
Pedestal mounting 1000 - 7200N
P3 series



The **P3** series in standard form comes with an M12 male fixing in the top of the mounting. It can also be supplied with an M12 female fixing in the top of the mounting. Female variants are identified by adding the suffix f to the part number given below, e.g. P2/3af

table – maximum loads

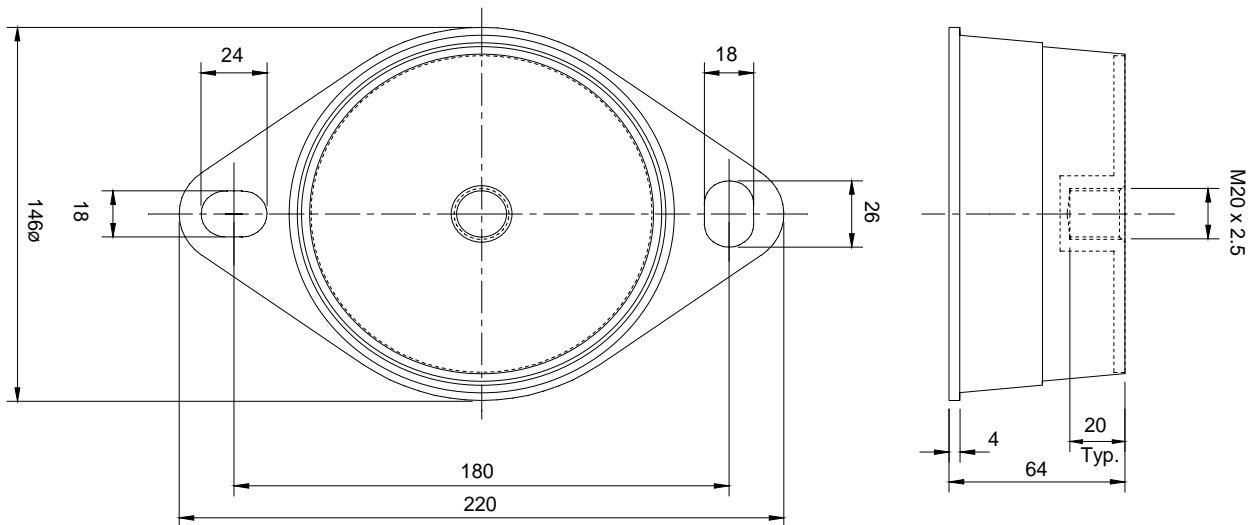
part no:	colour code	compression
P3/3A	green	3000N
P3/4A	yellow	4200N
P3/13A	green-green	5400N
P3/14A	yellow-yellow	7200N



Technical data

Pedestal mounting 1000 - 18000N

P5 series

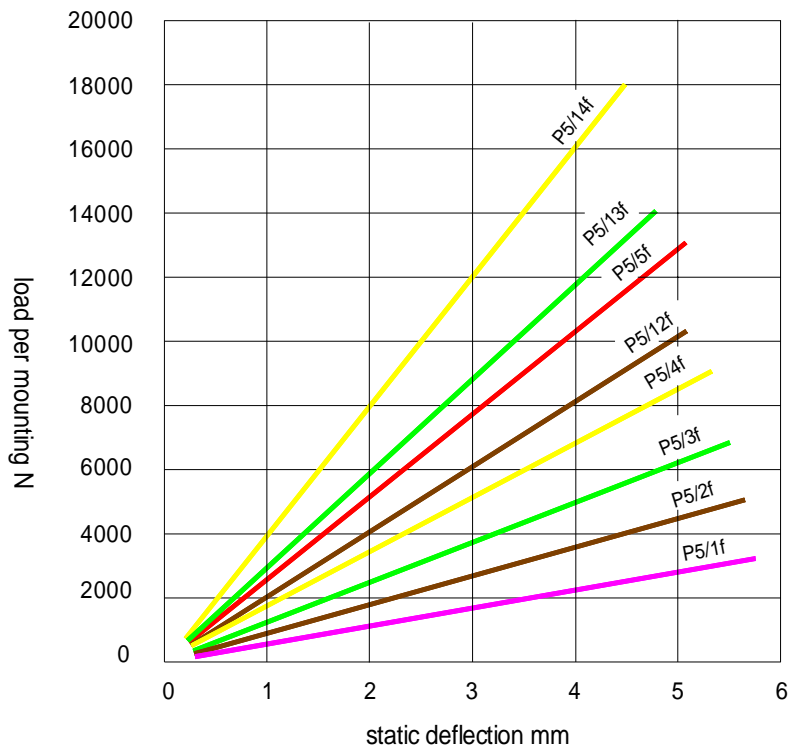


The P5 series comes in standard form with an M20 female fixing in the top of the mounting.

table-maximum loads

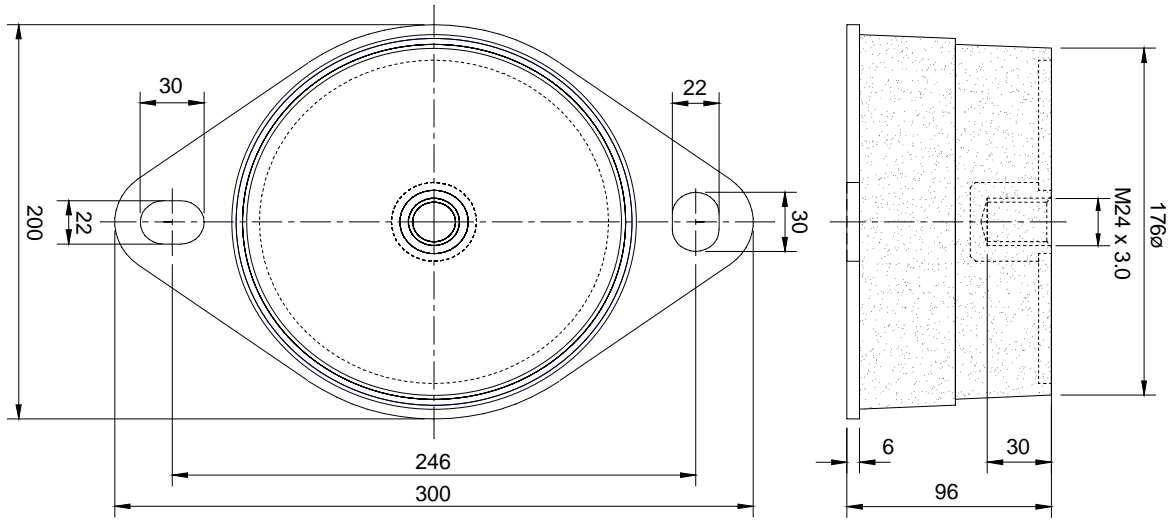
part no:	colour code	compression
P5/1f	purple	3600N
P5/2f	brown	5000N
P5/3f	green	7000N
P5/4f	yellow	9000N
P5/12f	brown - brown	10000N
P5/5f	red	13000N
P5/13f	green - green	14000N
P5/14f	yellow - yellow	18000N

P5/f series compression



Technical data

Pedestal mounting 4000 - 48000N
P6 series



The P6 series comes in standard form with an M24 female fixing in the top of the mounting.

table - maximum loads

part no:	colour code	compression	Deflection
P6/2f-2	brown	10000N	9.20mm
P6/3f-2	green	14000N	9.00mm
P6/4f-2	yellow	18000N	8.80mm
P6/5f-2	red	24000N	8.60mm
P6/13f-2	green-green	28000N	8.40mm
P6/14f-2	yellow-yellow	36000N	8.00mm
P6/15f-2	red-red	48000N	8.00mm

