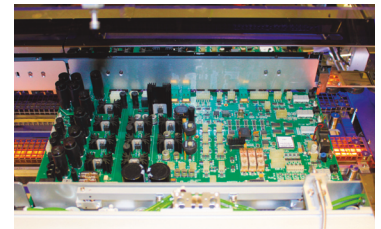


ORISSA SYNCHRODEX PRO



Pillarhouse
INTERNATIONAL

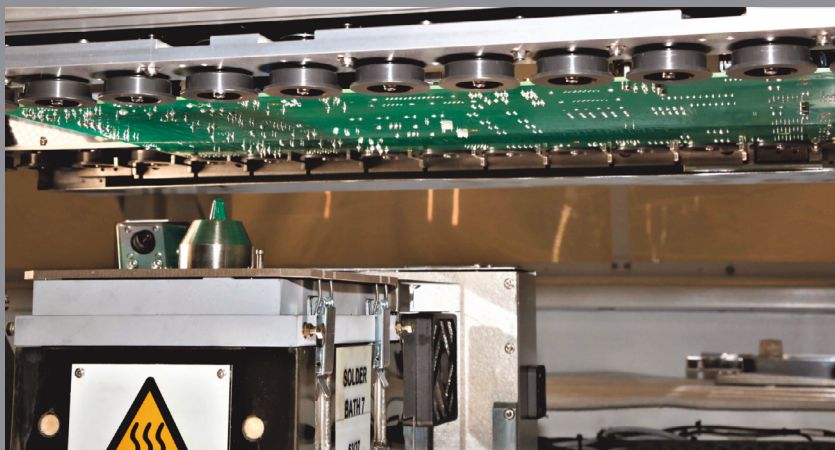
Enhanced, flexible, in-line, modular
selective soldering system





ORISSA SYNCHRODEX PRO

Enhanced, flexible, in-line, modular selective soldering system



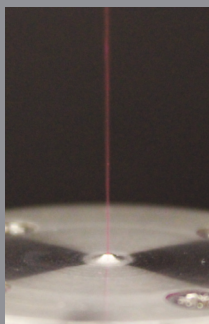
Our Synchrondex Pro is a modular system with a range of in-line equipment offering the ultimate in flexibility, with the ability to upgrade to high-speed throughput when multiple modules are placed together.

The standard Synchrondex Pro solder module is supplied with an on-board Drop-Jet flux head and offers optional top side and bottom side slide in/out infra-red pre-heat linked to closed-loop pyrometer control. Pillarhouse can also configure any of our frame sizes to operate as dedicated fluxing and/or I.R./convection heating modules, which, when placed in-line with solder module(s), will significantly increase production throughput.

Our 1600mm solder module offers the ability to process PCBs using either a single or dual-bath operating format. Single bath operation allows for an alternate nozzle process on a single 610mm x 610mm PCB. Dual-bath operation allows for a dual-board, simultaneous, independent nozzle process for increased soldering flexibility on 420mm x 610mm PCBs. Pillarhouse's uniquely flexible approach is facilitated via a software controlled, mechanical three pin stop arrangement on the conveyor section allowing for either single or dual PCB management.

Our largest PCB handling capability of 1143mm x 610mm can be achieved when using the XL frame size.

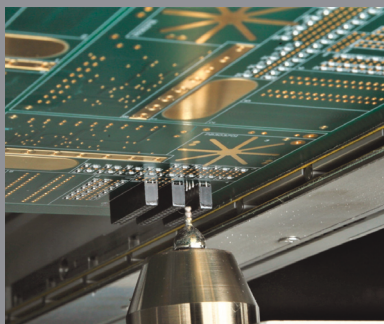
The Synchrondex Pro can be configured with any of the currently available Pillarhouse solder technologies, including single point AP-1, patented 1.5mm Micro Nozzle, Jet-Wave and custom multi-dip. Easy, rapid non-contact solder pot changeover is facilitated via the optional heated pot exchange trolley.



DROP-JET FLUX HEAD



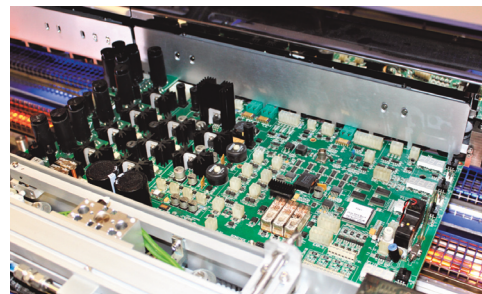
ULTRASONIC FLUX HEAD



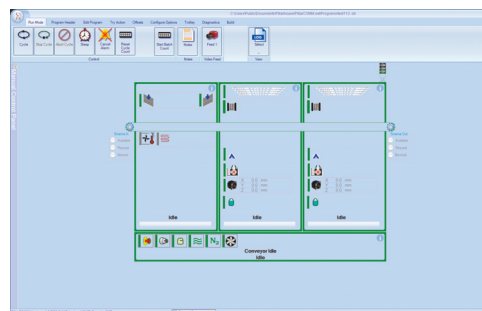
1.5 MM MICRO NOZZLE



Pillarhouse INTERNATIONAL



SLIDE IN/OUT BOTTOM SIDE I.R. PRE-HEAT



OPERATION

The Synchrondex Pro is controlled by a PC through our next generation PillarCOMM.NET software - a Windows® based 'Point & Click' interface with PCB image display, as illustrated above.

Additionally, PillarCOMM.NET has an offline package that allows the operator to produce programs independently from the machine using Gerber data.



LARGE 1600MM SYNCHRODEX PRO WITH TWIN/DUAL INDEPENDENT SOLDER BATHS



1600mm Dual-Bath Soldering Module

STANDARD FEATURES

- In-Line Disk Drive Auto Width Adjust Throughfeed Synchronous Movement Conveyor
- Conveyor Side Clamping
- Integral PC & Machine Mounted TFT Monitor
- Auto Motorised Solder Wire Feed & Level Detect
- Drop-Jet Fluxer
- Heated Inerted Nitrogen System
- Internal Fume Extraction
- Colour Programming Camera
- 610mm x 610mm (24" x 24") Board Handling Size in a 1060mm Frame
- PillarCOMM.NET Windows® based Software
- Offline Programming Software
- Thermal Nozzle Calibration System using Integrated Setting Camera (requires manual correction)
- Solder Pot Coding
- Auto Fiducial Recognition & Correction System
- Solder Wave Height Measurement
- Mechanical Impellor Style Pump Assembly
- Pump RPM Monitoring
- Nitrogen Analyser
- Auto Nozzle Conditioning System
- Process Viewing Camera
- Multilevel Password Security System
- Light Stack Tower
- Flux Level Sensor
- Lead-Free Capability
- One Set of AP Solder Nozzle Tips (2.5mm, 3mm, 3.5mm, 4mm, 5mm, 6mm, 8mm, 10mm, 12mm) per Solder Bath
- Accessory Kit

MONITORING OPTIONS

- Flux Flow Monitoring
- Nitrogen Purity Monitoring
- Nitrogen Mass Flow Meter
- Nozzle Nitrogen Purity Monitoring

SYSTEM OPTIONS

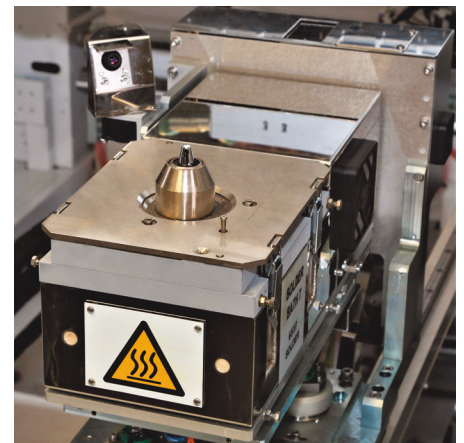
- High Definition Process Viewing Camera
- Top Side I.R. Pre-Heat, with Closed-Loop Control
- Motorised Underside I.R. Pre-Heat
- Ultrasonic Fluxing
- Additional Dual Drop-Jet/Ultrasonic Fluxing
- Laser PCB Warp Correction
- 1.5, 2, 2.5mm Micro Nozzle(s)
- Solder Reel Identification
- Nitrogen Generator



Pillarhouse
INTERNATIONAL



AUTOMATIC NOZZLE
CONDITIONING SYSTEM



NEXT GENERATION SOLDER
BATH AND PUMP



ADDITIONAL SYSTEM OPTION - PillarCARE

Pillarhouse's comprehensive after-sale service and process programme, available for all machines

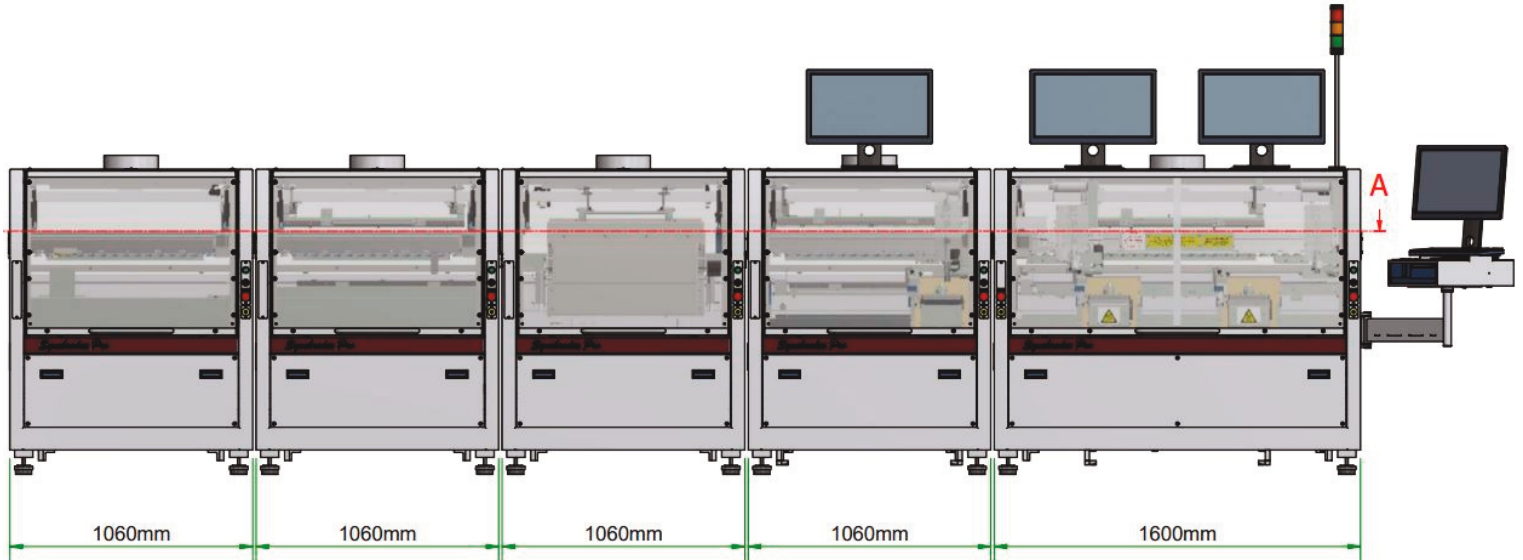


Pillarhouse... Expect innovation
www.pillarhouse.co.uk

EXAMPLE CONFIGURATION



Pillarhouse
INTERNATIONAL



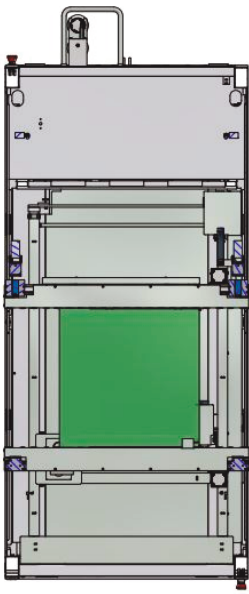
Fluxer Module

I.R. Pre-Heater
Module

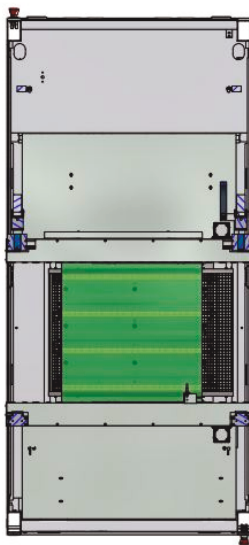
Convection Heater
Module (High-Speed
Stacker Convection
Heater Module also
available)

Single-Bath
Soldering
Module

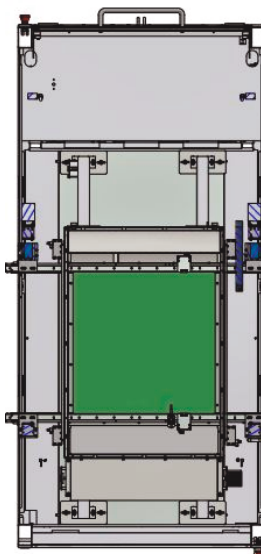
Dual-Bath Soldering Module
(Single-Point and Twin-Point
Modules available)



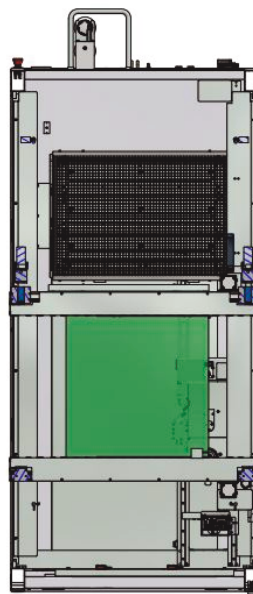
SECTION A-A



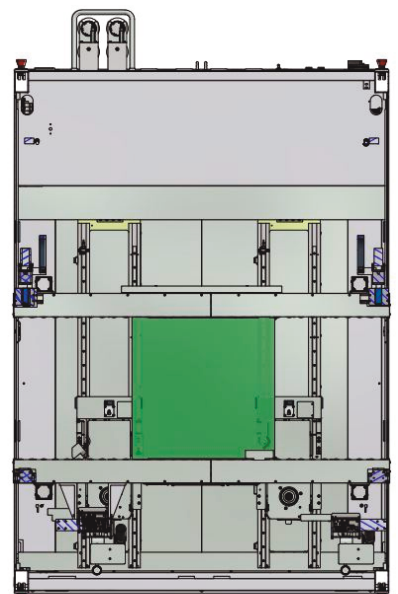
SECTION A-A



SECTION A-A



SECTION A-A



SECTION A-A



Single-Bath Soldering Module

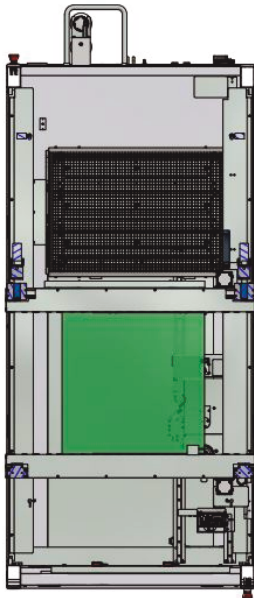
Size: 1060mm wide

Board Size Capability: 610mm x 610mm (24" x 24")

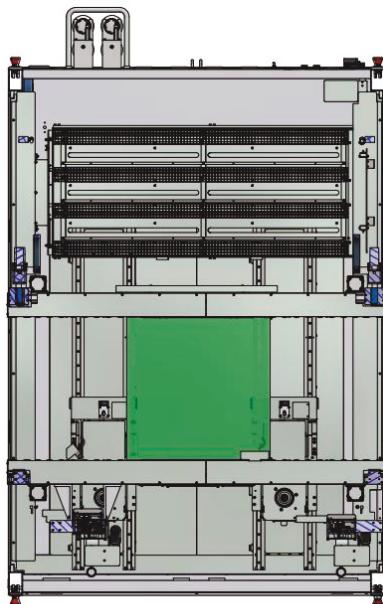
Standard Features: Drop-Jet flux head

Refer to Pillarhouse Synchrodex Pro Quotation

Document for details of all available machine options.



SECTION A-A



SECTION A-A

Single-Point Process Dual-Bath Soldering Module

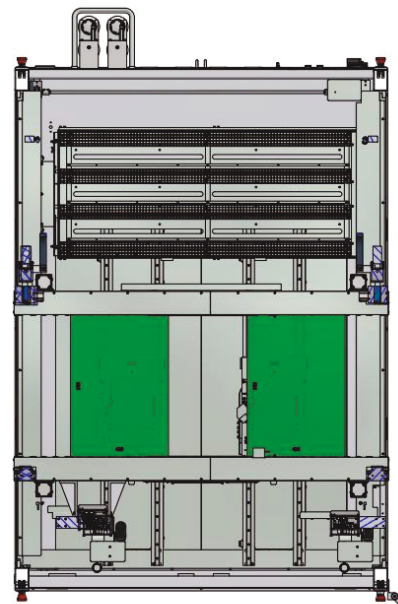
Size: 1600mm wide

Board Size Capability: 610mm x 610mm (24" x 24") when using alternate nozzle tip sizes at different positions on a single PCB.

Standard Features: Twin Independent Solder Baths

Refer to Pillarhouse Synchrodex Pro Quotation

Document for details of all available machine options.



SECTION A-A

Twin-Point Process Dual-Bath Soldering Module

Size: 1600mm wide

Board Size Capability: 420mm x 610mm (16.5" x 24") when soldering two different PCBs simultaneously.

Standard Features: Twin Independent Solder Baths

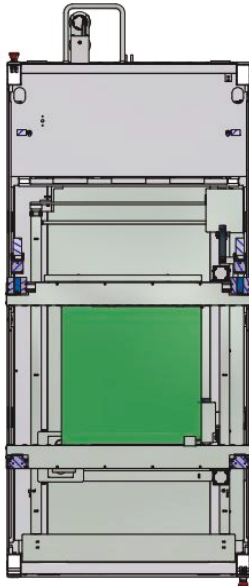
Refer to Pillarhouse Synchrodex Pro Quotation

Document for details of all available machine options.

ANCILLARY MODULES



Pillarhouse
INTERNATIONAL



SECTION A-A

Fluxer Module

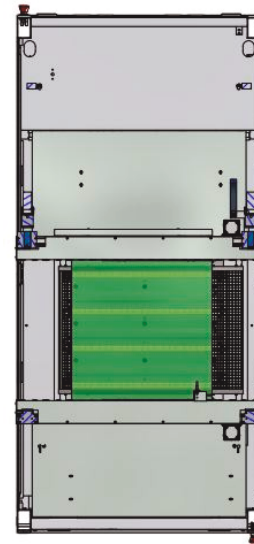
Size: 1060mm wide

Board Size Capability: 610mm x 610mm (24" x 24")

Standard Features: Drop-Jet flux head

Refer to Pillarhouse Synchrodex Pro Quotation

Document for details of all available machine options.



SECTION A-A

I.R. Pre-Heater Module

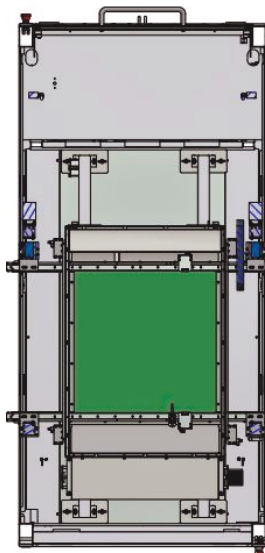
Size: 1060mm wide

Board Size Capability: 610mm x 610mm (24" x 24")

Standard Features: Bottom side I.R. Pre-Heater

Refer to Pillarhouse Synchrodex Pro Quotation

Document for details of all available machine options.



SECTION A-A

Convection Heater Module

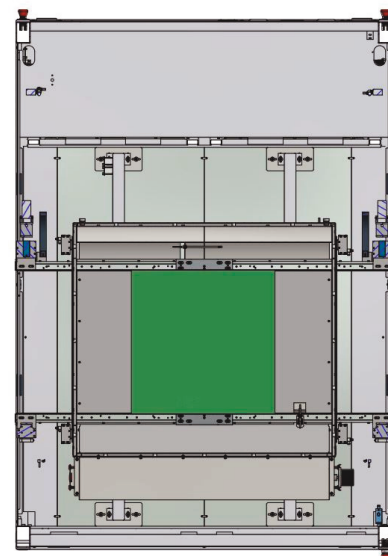
Size: 1060mm wide

Board Size Capability: 610mm x 610mm (24" x 24")

Standard Features: Enclosed Convection Pre-Heater

Refer to Pillarhouse Synchrodex Pro Quotation

Document for details of all available machine options.



SECTION A-A

Double Convection Heater

Size: 1600mm wide

Board Size Capability: 1150mm x 610mm (45" x 24")

Standard Features: Enclosed Convection Pre-Heater

Refer to Pillarhouse Synchrodex Pro Quotation

Document for details of all available machine options.



High-Speed Stacker Convection Heater

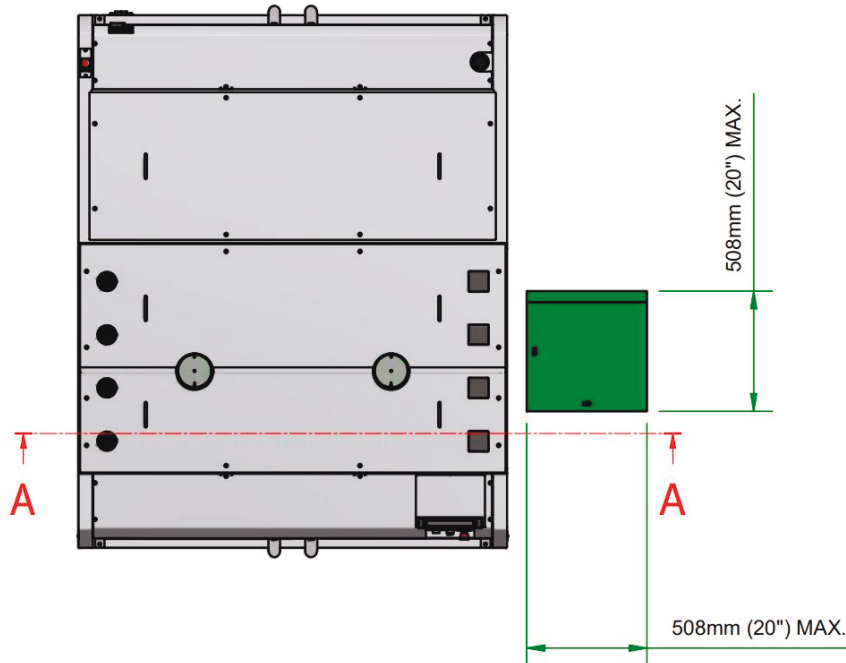
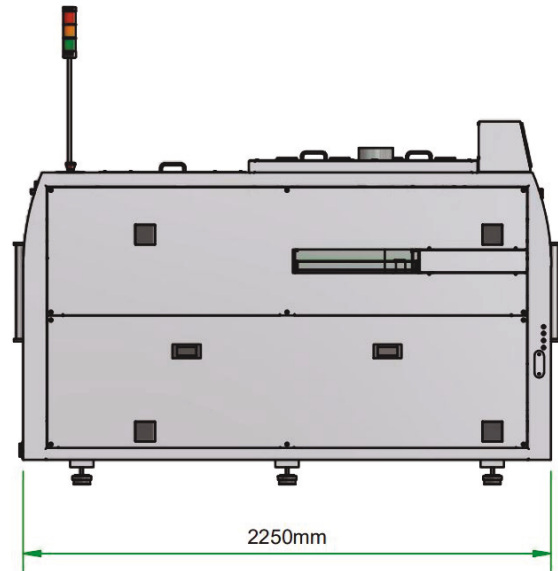
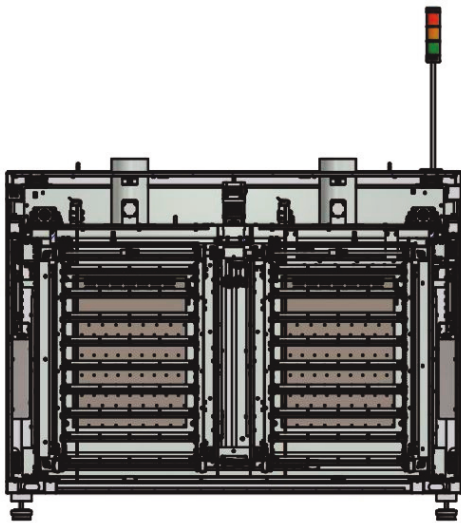
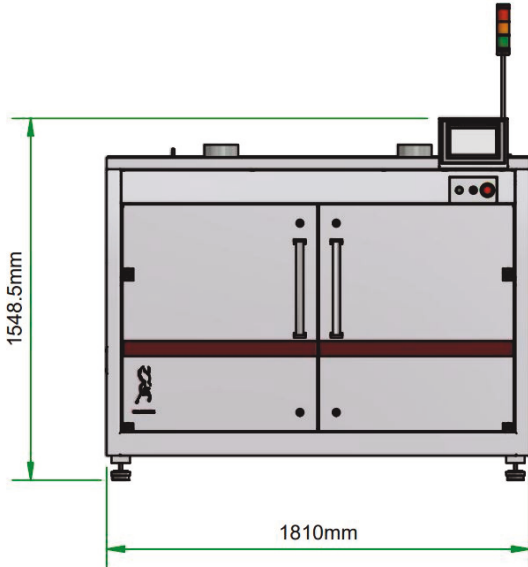
Size: 1810 mm wide

Board Size Capability: 508 mm x 508mm (20" x 20")

Standard Features: Enclosed Convection Pre-Heater, programmable duration time, maximum of 160 degrees Celsius internal temperature, processes a maximum of 16 PCBs.

PCBs enter Convection Heater, travel down, across and up before exiting.

Refer to Pillarhouse Synchrodex Pro Quotation Document for details of all available machine options.



ORISSA SYNCHRODEX PRO



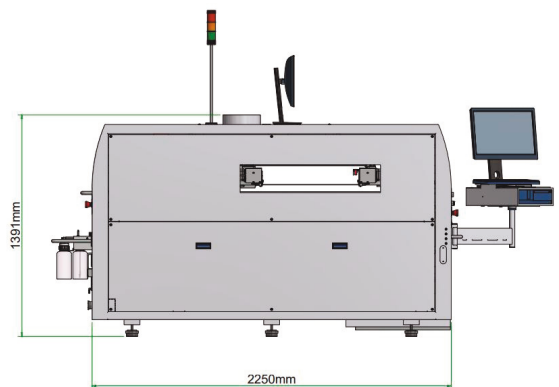
Pillarhouse
INTERNATIONAL

SPECIFICATIONS

Height:	1391mm/55" - excluding light stack and monitor
Width:	1060mm/42" or 1600mm/63" (depending on frame size)
Depth:	2250mm/88"
Board size:	Min. - 102mm x 102mm/4" x 4" Max. (standard variants) - 420mm x 610mm/16.5" x 24" and 610mm x 610mm/24" x 24" (optional sizes) - 1143mm x 610mm/45" x 24"
Edge clearance:	Above/below 3mm
Height clearance:	Above 45mm/below 40mm nominal
Extraction: Fan:	236mm dia.
Rating:	940m ³ /hr/553CFM
Solder:	Most commonly used solder types - includes lead-free
Solder pot capacity:	11kg/24lb (standard) - 20kg/44lb (large)
Nozzles/Applicators:	Micro Nozzle - 1.5mm to 2.5mm AP style - 2.5mm to 16mm dia. Extended AP style - 2.5mm to 16mm dia. Jet-Tip style - 6mm to 25mm dia. Jet-Wave nozzle - up to 40mm width 75mm and 150mm Wave nozzle Special dedicated nozzles available upon request
Flux:	Low maintenance Drop-Jet system. Low solids (below 8%), no clean flux, pressurised and inerted system, optional ultrasonic system available
X, Y & Z axes resolution:	0.15mm
Repeatability:	+/- 0.05mm
Nitrogen supply pressure:	5 bar/72 psi
Nitrogen usage:	30-100 litres/min./1.06-3.53 CFM- solder nozzle configuration dependent
Nitrogen purity:	99.995% or better
Air supply pressure:	5 bar/72 psi
Air usage:	10 litres/min./0.35 CFM
Power supplies:	Three-phase + neutral + PE
Voltage:	230 V phase to neutral/400V phase to phase
Frequency:	50/60Hz
Power:	Machine configuration dependent
Transport:	Conveyor (IPC-SMEMA-9851 compliant)
Programming:	PillarCOMM.NET software - Windows® based 'Point & Click' interface



SYNCHRODEX PRO
1060mm MASTER SOLDER



Pillarhouse International Ltd.

Rodney Way, Widford, Chelmsford, Essex CM1 3BY UK
Pillarhouse USA, Inc.

201 Lively Blvd, Elk Grove Village, IL 60007 USA

Pillarhouse (Suzhou) Soldering Systems Co., Ltd.

105 Weixi Road, Suzhou Industrial Park, China 215127

www.pillarhouse.co.uk

Tel: +44 (0) 1245 491333 Email: sales@pillarhouse.co.uk

www.pillarhouseusa.com

Tel: +1 847 593 9080 Email: sales@pillarhouseusa.com

www.pillarhouse.cn

Tel: +86 512 6586 0460 Email: sales@pillarhouse.cn