

1142 Wired Panic Alarm System

A6543: 1142 Wired Wall Mounted Master Panel

The CAUK 1142 Master panel is simple to install, very reliable and long lasting.

System Features

- The display is easy to view at distance using OLED technology.
- Supports up to 50 CAUK call points radio or Wired.
- Supports different levels of alerts with different tones and messages.
- Calls can be cancelled at source or at the panel.
- Stand-by PSU options available.
- Can display multiple alerts.
- A switched output to trigger third parts systems or CAUK remote lamp and sounder.
- A 'NIGHT' mode to lower alerts during evenings used in nurse call application
- A 'MUTE' button to silence the alert for a set period of time.
- Silent test mode.

Wired Call units

1123 Wall, desk or under desk unit.

- Wired button can have two levels of call.
- Forms part of a CAT5 RS485 loop
- Addressable with headers
- Integrated reassurance lamp.
- Available with 868MHz radio transceiver.
- Radio pendants can be "paired" to this unit



1114 Ceiling pull switch

- Wired pull switch with cord and two triangles.
- Integrated reassurance lamp.
- Easy to install and is wired by a radial CAT5 link to the 1123 Panic unit.



1110 Over Door Lamp and Sounder

- Available in different colours.
- Sounder can be turned on or off.
- Easy to install and is wired by a radial CAT5 link to the 1123 Panic unit.



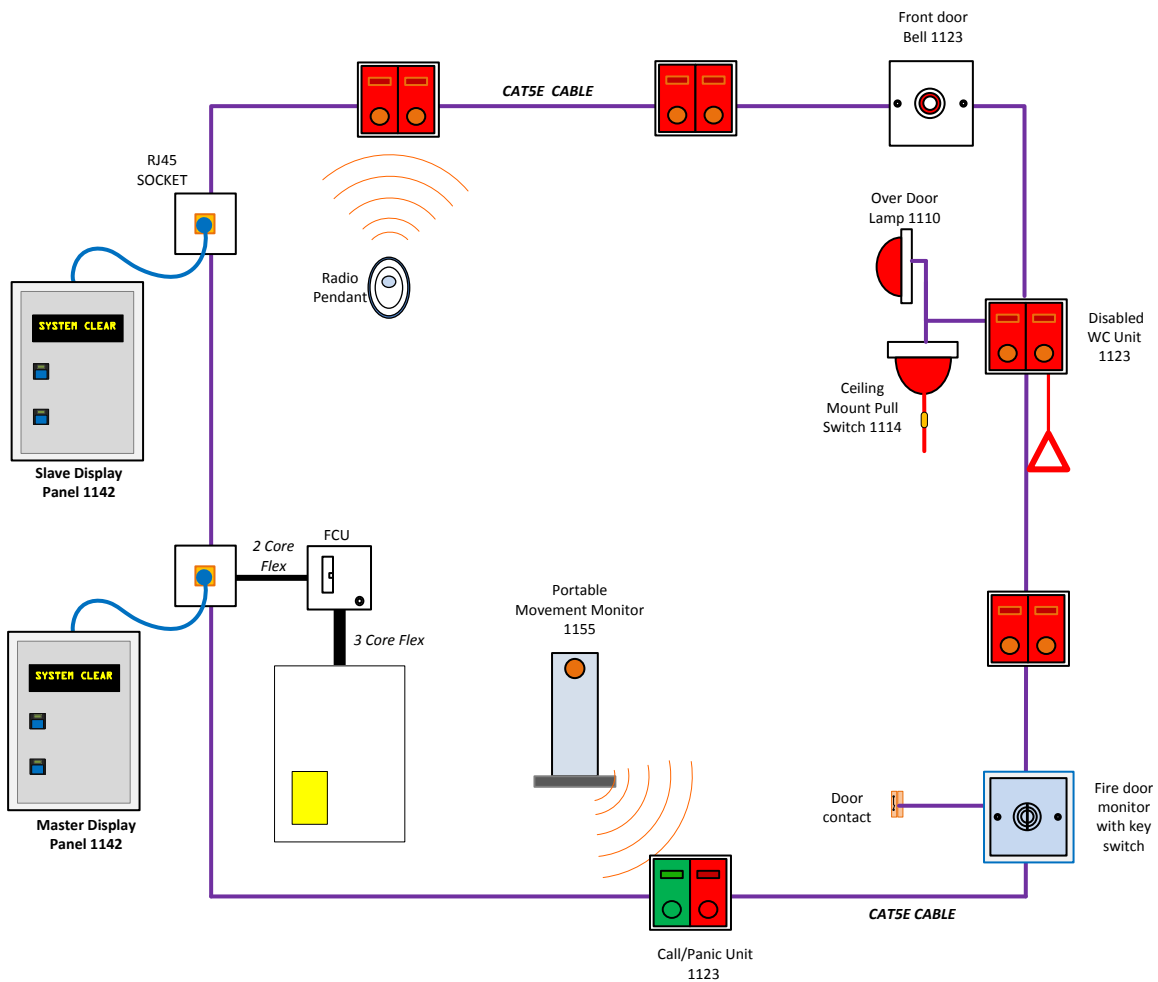
Used in many types of buildings:

- Small to medium Nursing Homes
- Banks
- Leisure Centres
- Offices
- Medical Centres & Hospitals
- Schools and Colleges

Used in many applications:

- Disabled Toilets
- Public receptions desks
- Security Staff
- Swimming pools, Saunas and seam rooms
- Interview rooms

1142 Wired Panic Alarm System



1142 Master Panel



- Switched output for third party systems
- Names programmed before dispatch
- Clear OLED display
- 'MUTE' function
- Alerts cancelled at source or at the 1142 panel.
- Silent test and RSSI (Receive signal strength indicator) for easy testing.

