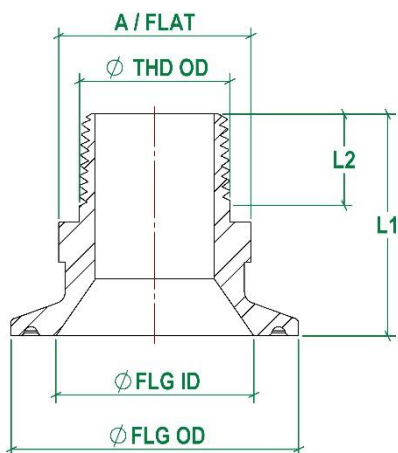


Adapters

Tri-Clamp Ferrule X BSPT Male



Standard: Flowsource Process Fittings

Material: 316L Stainless Steel, EN1.4404

Certification: EN 10204-3.1

Surface Finish (Ext / Int): 1.2Ra Average / 0.8Ra Average Parallel Surfaces

Associated Standard: BSP Tapered

Associated Parts: TC Clamps, TC Gaskets, TC Ferrule X BSP Female

Options: BSP Parallel, Alternative Materials

Remarks: Machined from Billet, All Variations Possible
Please Contact Our Sales for Alternatives.

Adapters, TC Ferrule X BSP Male

Size (Inch)	FLG OD (mm)	FLG ID (mm)	THD OD (G Inch)	A FLAT (mm)	L2 (mm)	L1 (mm)	Part Code
0.500" X 0.180"	25.40	9.40	1/8"	15.80	6.50	26.50	A.CFBM.050.018
0.500" X 0.250"	25.40	9.40	1/4"	15.80	9.70	29.70	A.CFBM.050.025
0.500" X 0.380"	25.40	9.40	3/8"	18.80	11.30	31.30	A.CFBM.050.038
0.500" X 0.500"	25.40	9.40	1/2"	21.80	14.50	34.50	A.CFBM.050.050
0.750" X 0.180"	25.40	15.75	1/8"	15.80	6.50	26.50	A.CFBM.075.018
0.750" X 0.250"	25.40	15.75	1/4"	15.80	9.70	29.70	A.CFBM.075.025
0.750" X 0.380"	25.40	15.75	3/8"	18.80	11.30	31.30	A.CFBM.075.038
0.750" X 0.500"	25.40	15.75	1/2"	21.80	14.50	34.50	A.CFBM.075.050
0.750" X 0.750"	25.40	15.75	3/4"	33.80	16.10	39.10	A.CFBM.075.075
1.000" X 0.180"	50.50	22.10	1/8"	15.80	6.50	29.50	A.CFBM.100.018
1.000" X 0.250"	50.50	22.10	1/4"	15.80	9.70	32.70	A.CFBM.100.025
1.000" X 0.380"	50.50	22.10	3/8"	18.80	11.30	34.30	A.CFBM.100.038
1.000" X 0.500"	50.50	22.10	1/2"	31.70	14.50	37.50	A.CFBM.100.050
1.000" X 0.750"	50.50	22.10	3/4"	33.80	16.10	39.10	A.CFBM.100.075
1.000" X 1.000"	50.50	22.10	1"	40.80	19.30	42.30	A.CFBM.100.100
1.500" X 0.180"	50.50	34.80	1/8"	15.80	6.50	29.50	A.CFBM.150.018
1.500" X 0.250"	50.50	34.80	1/4"	15.80	9.70	32.70	A.CFBM.150.025
1.500" X 0.380"	50.50	34.80	3/8"	18.80	11.30	34.30	A.CFBM.150.038
1.500" X 0.500"	50.50	34.80	1/2"	31.70	14.50	37.50	A.CFBM.150.050
1.500" X 0.750"	50.50	34.80	3/4"	33.80	16.10	39.10	A.CFBM.150.075
1.500" X 1.000"	50.50	34.80	1"	40.80	19.30	42.30	A.CFBM.150.100
1.500" X 1.250"	50.50	34.80	1 1/4"	45.80	20.00	43.00	A.CFBM.150.125
1.500" X 1.500"	50.50	34.80	1 1/2"	54.80	20.80	43.80	A.CFBM.150.150
2.000" X 0.500"	64.00	47.50	1/2"	31.70	14.50	37.50	A.CFBM.200.050
2.000" X 0.750"	64.00	47.50	3/4"	33.80	16.10	39.10	A.CFBM.200.075
2.000" X 1.000"	64.00	47.50	1"	40.80	19.30	42.30	A.CFBM.200.100
2.000" X 1.250"	64.00	47.50	1 1/4"	45.80	20.00	43.00	A.CFBM.200.125
2.000" X 1.500"	64.00	47.50	1 1/2"	54.80	20.80	43.60	A.CFBM.200.150
2.000" X 2.000"	64.00	47.50	2"	67.00	24.00	47.00	A.CFBM.200.200
2.500" X 1.000"	77.50	60.20	1"	40.80	19.30	42.30	A.CFBM.250.100
2.500" X 1.250"	77.50	60.20	1 1/4"	45.80	20.00	43.00	A.CFBM.250.125
2.500" X 1.500"	77.50	60.20	1 1/2"	54.80	20.80	43.60	A.CFBM.250.150
2.500" X 2.000"	77.50	60.20	2"	67.00	24.00	47.00	A.CFBM.250.200
2.500" X 2.500"	77.50	60.20	2 1/2"	77.80	31.00	57.00	A.CFBM.250.250
3.000" X 1.000"	91.00	72.90	1"	40.80	19.30	42.30	A.CFBM.300.100
3.000" X 1.250"	91.00	72.90	1 1/4"	45.80	20.00	43.00	A.CFBM.300.125
3.000" X 1.500"	91.00	72.90	1 1/2"	54.80	20.80	43.60	A.CFBM.300.150
3.000" X 2.000"	91.00	72.90	2"	67.00	24.00	47.00	A.CFBM.300.200
3.000" X 2.500"	91.00	72.90	2 1/2"	77.80	31.00	57.00	A.CFBM.300.250
3.000" X 3.000"	91.00	72.90	3"	92.00	35.00	61.00	A.CFBM.300.300

Published Data Is Given in Good Faith. We Reserve the Right To, Without Warning Change the Dimensions When Not In Conflict With The Published Standard

Flowsource Process Fittings

Unit 2F Hockney Road Industrial Estate, West Yorkshire, BD8 9HQ, United Kingdom

[T] 01535 274 316 - [e] sales@flowsourcepf.com - [w] www.flowsourcepf.com

FLWSOURCE
PROCESS FITTINGS