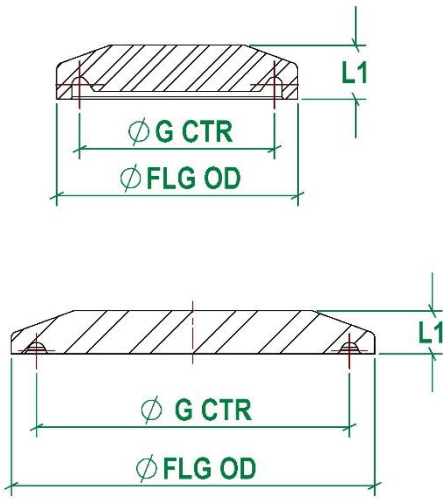


Tri-Clamp Fittings

BS4825-3, Blank Caps



Standard: BS4825-3, Imperial OD
Material: 316 Stainless Steel, EN1.4401
Certification: EN 10204-3.1
Surface Finish (Internal): 0.8Ra On Flat Surfaces
Associated Standard: ASME BPE 2016, DN32676
Associated Parts: All TC Clamps, TC Ferrules & TC Gaskets
Options: Available Bored Upon Request
Remarks:

TC Fittings, TC Blank, BS4825-3							
Size (inch)	FLG OD (mm)				G CTR (mm)	L1 (mm)	Part Code
0.500"	25.40				20.30	5.60	CB.BS.0050.6
0.750"	25.40				20.30	5.60	CB.BS.0075.6
1.000"	50.50				43.50	7.00	CB.BS.0100.6
1.500"	50.50				43.50	7.00	CB.BS.0150.6
2.000"	64.00				56.50	7.00	CB.BS.0200.6
2.500"	77.50				70.50	7.00	CB.BS.0250.6
3.000"	91.00				83.50	7.00	CB.BS.0300.6
3.500"	106.00				97.00	7.00	CB.BS.0350.6
4.000"	119.00				110.00	9.00	CB.BS.0400.6
4.500"	130.00				122.00	9.00	CB.BS.0450.6
5.000"	144.40				135.00	10.00	CB.BS.0500.6
5.500"	155.00				146.00	10.00	CB.BS.0550.6
6.000"	167.00				156.50	10.00	CB.BS.0600.6
6.580"	183.00				174.00	10.00	CB.BS.0658.6
8.000"	217.40				207.40	10.00	CB.BS.0800.6
8.580"	233.50				225.00	10.00	CB.BS.0858.6
10.000"	268.00				258.00	10.00	CB.BS.1000.6
10.750"	286.10				276.00	10.00	CB.BS.1075.6
12.000"	319.00				308.00	10.00	CB.BS.1200.6
12.750"	338.00				329.00	10.00	CB.BS.1275.6

Published Data Is Given in Good Faith. We Reserve the Right To, Without Warning Change the Dimensions When Not In Conflict With The Published Standard