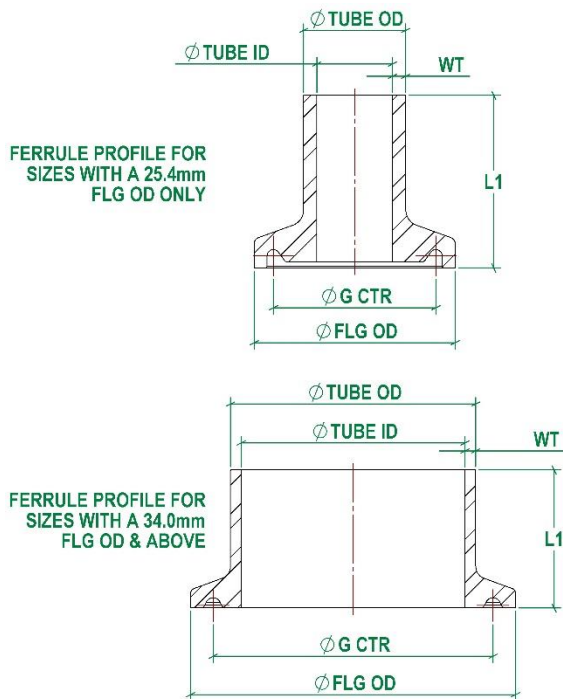


Tri-Clamp Fittings

DIN32676-A, Ferrules



- Standard:** DIN32676-A, Metric
- Material:** 316 Stainless Steel, EN1.4401
- Certification:** EN 10204-3.1
- Surface Finish (Internal):** 0.8Ra On Flat Surfaces
- Associated Standard:** DIN11850, DIN11865
- Associated Parts:** TC Clamps, TC Ferrules & TC Gaskets
- Options:** Duplex Materials Available Bored Upon Request
- Remarks:** Non-Standard Sizes Available to Order

TC Fittings, TC Ferrule, DIN32676-A, Metric

Size (DN)	FLG OD (mm)	TUBE OD (mm)	TUBE ID (mm)	WT (mm)	G CTR (mm)	L1 (mm)	Part Code
DN6	25.40	8.00	6.00	1.00	20.30	21.50	CF.DNA.D006.6
DN8	25.40	10.00	8.00	1.00	20.30	21.50	CF.DNA.D008.6
DN10	34.00	13.00	10.00	1.50	27.50	21.50	CF.DNA.D010.6
DN15	34.00	19.00	16.00	1.50	27.50	21.50	CF.DNA.D015.6
DN20	34.00	23.00	20.00	1.50	27.50	21.50	CF.DNA.D020.6
DN25	50.50	29.00	26.00	1.50	43.50	21.50	CF.DNA.D025.6
DN32	50.50	35.00	32.00	1.50	43.50	21.50	CF.DNA.D032.6
DN40	50.50	41.00	38.00	1.50	43.50	21.50	CF.DNA.D040.6
DN50	64.00	53.00	50.00	1.50	56.50	21.50	CF.DNA.D050.6
DN65	91.00	70.00	66.00	2.00	83.50	28.00	CF.DNA.D065.6
DN80	106.00	85.00	81.00	2.00	97.00	28.00	CF.DNA.D080.6
DN100	119.00	104.00	100.00	2.00	110.00	28.00	CF.DNA.D100.6
DN125	155.00	129.00	125.00	2.00	146.00	28.00	CF.DNA.D125.6
DN150	183.00	154.00	150.00	2.00	174.00	28.00	CF.DNA.D150.6
DN200	233.50	204.00	200.00	2.00	225.00	28.00	CF.DNA.D200.6

Published Data Is Given in Good Faith. We Reserve the Right To, Without Warning Change the Dimensions When Not In Conflict With The Published Standard