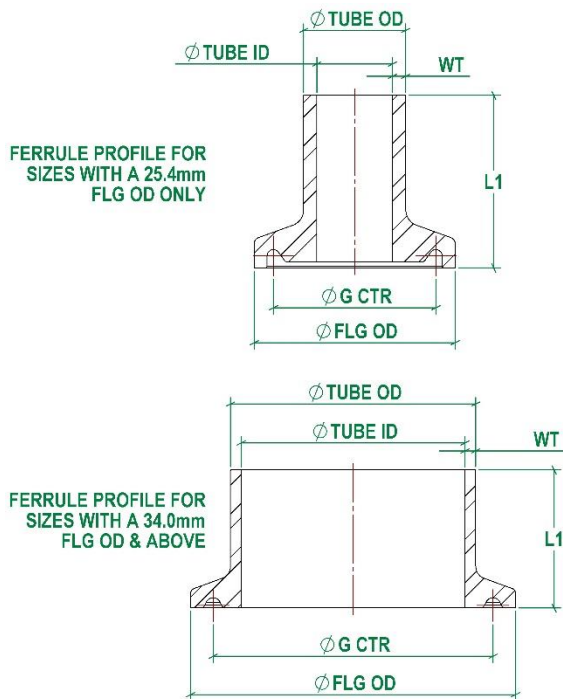


Tri-Clamp Fittings

DIN32676-B, Ferrules



- Standard:** DIN32676-B, ISO
- Material:** 316 Stainless Steel, EN1.4401
- Certification:** EN 10204-3.1
- Surface Finish (Internal):** 0.8Ra On Flat Surfaces
- Associated Standard:** DIN11865, ISO1127
- Associated Parts:** TC Clamps, TC Ferrules & TC Gaskets
- Options:** Duplex Materials Available Bored Upon Request
- Remarks:** Non-Standard Sizes Available to Order

TC Fittings, TC Ferrule, DIN32676-B, ISO

Size (NW)	FLG OD (mm)	TUBE OD (mm)	TUBE ID (mm)	WT (mm)	G CTR (mm)	L1 (mm)	Part Code
NW6	25.40	10.20	7.00	1.60	20.30	21.50	CF.DNB.D006.6
NW8	25.40	13.50	10.30	1.60	20.30	21.50	CF.DNB.D008.6
NW10	25.40	17.20	14.00	1.60	20.30	21.50	CF.DNB.D010.6
NW15	34.00	21.30	18.10	1.60	27.50	21.50	CF.DNB.D015.6
NW20	50.50	26.90	23.70	1.60	43.50	21.50	CF.DNB.D020.6
NW25	50.50	33.70	29.70	2.00	43.50	21.50	CF.DNB.D025.6
NW32	64.00	42.40	38.40	2.00	56.50	21.50	CF.DNB.D032.6
NW40	64.00	48.30	44.30	2.00	56.50	21.50	CF.DNB.D040.6
NW50	77.50	60.30	56.30	2.00	70.50	21.50	CF.DNB.D050.6
NW65	91.00	76.10	72.90	1.60	83.50	21.50	CF.DNB.D065.6
NW80	106.00	88.90	84.30	2.30	97.00	21.50	CF.DNB.D080.6
NW100	130.00	114.30	109.70	2.30	122.00	28.00	CF.DNB.D100.6
NW125	155.00	139.70	134.50	2.60	146.00	28.00	CF.DNB.D125.6
NW150	183.00	168.30	163.10	2.60	174.00	28.00	CF.DNB.D150.6
NW200	233.50	219.10	213.90	2.60	225.00	28.00	CF.DNB.D200.6

Published Data Is Given in Good Faith. We Reserve the Right To, Without Warning Change the Dimensions When Not In Conflict With The Published Standard