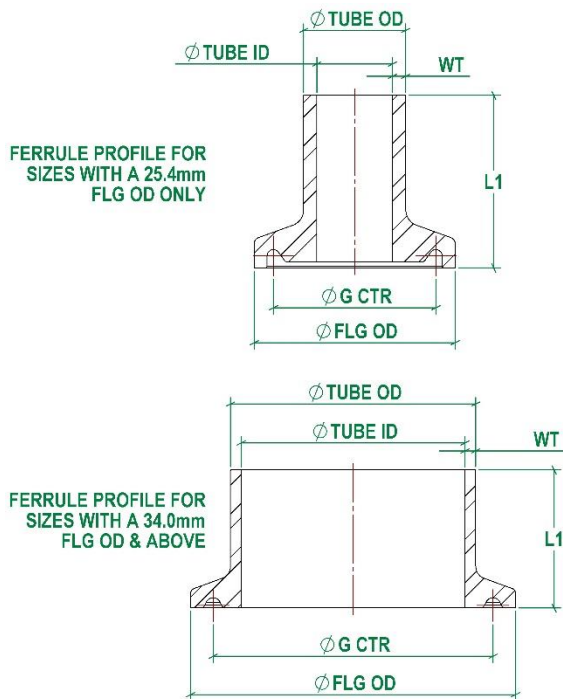


Tri-Clamp Fittings

DIN32676-C, Ferrules



- Standard:** DIN32676-C, Imperial OD
- Material:** 316 Stainless Steel, EN1.4401
- Certification:** EN 10204-3.1
- Surface Finish (Internal):** 0.8Ra On Flat Surfaces
- Associated Standard:** DIN11865, BS4825-1, BS4825-2, ASME BPE 2019
- Associated Parts:** TC Clamps, TC Ferrules & TC Gaskets
- Options:** Duplex Materials Available Bored Upon Request
- Remarks:** Non-Standard Sizes Available to Order

TC Fittings, TC Ferrule, DIN32676-C, Imperial

Size (inch)	FLG OD (mm)	TUBE OD (mm)	TUBE ID (mm)	WT (mm)	G CTR (mm)	L1 (mm)	Part Code
0.250"	25.40	6.35	4.57	0.89	20.30	21.50	CF.DNC.0025.6
0.380"	25.40	9.53	7.75	0.89	20.30	21.50	CF.DNC.0038.6
0.500"	25.40	12.70	9.40	1.65	20.30	21.50	CF.DNC.0050.6
0.750"	25.40	19.05	15.75	1.65	20.30	21.50	CF.DNC.0075.6
1.000"	50.50	25.40	22.10	1.65	43.50	21.50	CF.DNC.0100.6
1.500"	50.50	38.10	34.80	1.65	43.50	21.50	CF.DNC.0150.6
2.000"	64.00	50.80	47.50	1.65	56.50	21.50	CF.DNC.0200.6
2.500"	77.50	63.50	60.20	1.65	70.50	21.50	CF.DNC.0250.6
3.000"	91.00	76.20	72.90	1.65	83.50	21.50	CF.DNC.0300.6
4.000"	119.00	101.60	97.40	2.10	110.00	21.50	CF.DNC.0400.6
6.000"	167.00	152.40	146.86	2.77	156.50	28.50	CF.DNC.0600.6

Published Data Is Given in Good Faith. We Reserve the Right To, Without Warning Change the Dimensions When Not In Conflict With The Published Standard

Flowsource Process Fittings

Unit 2F Hockney Road Industrial Estate, West Yorkshire, BD8 9HQ, United Kingdom
 [T] 01535 274 316 - [e] sales@flowsourcepf.com - [w] www.flowsourcepf.com

FLWSOURCE
PROCESS FITTINGS