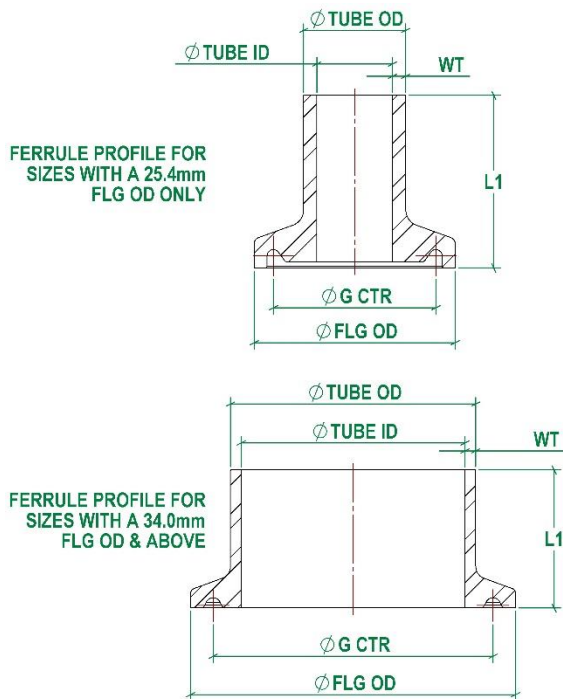


Tri-Clamp Fittings

ISO2037 / ISO2852, Ferrules



- Standard:** ISO2037 / ISO2852
- Material:** 316 Stainless Steel, EN1.4401
- Certification:** EN 10204-3.1
- Surface Finish (Internal):** 0.8Ra On Flat Surfaces
- Associated Standard:** ISO1127
- Associated Parts:** TC Clamps, TC Ferrules & TC Gaskets
- Options:** Duplex Materials Available Bored Upon Request
- Remarks:** Standard Now Replaced by ISO1127-1

TC Fittings, TC Ferrule, ISO2037 / ISO2852							
Size (NW)	FLG OD (mm)	TUBE OD (mm)	TUBE ID (mm)	WT (mm)	G CTR (mm)	L1 (mm)	Part Code
NW25.0	50.50	25.00	21.80	1.60	43.50	21.50	CF.IS2.025.6
NW33.7	50.50	33.70	31.30	1.20	43.50	21.50	CF.IS2.033.6
NW38.0	50.50	38.00	34.80	1.60	43.50	21.50	CF.IS2.038.6
NW40.0	64.00	40.00	36.80	1.60	56.50	21.50	CF.IS2.040.6
NW51.0	64.00	51.00	48.60	1.20	56.50	21.50	CF.IS2.051.6
NW63.5	77.50	63.50	60.30	1.60	70.50	21.50	CF.IS2.063.6
NW70.0	91.00	70.00	66.80	1.60	83.50	21.50	CF.IS2.070.6
NW76.1	91.00	76.10	72.90	1.60	83.50	21.50	CF.IS2.076.6
NW88.9	106.00	88.90	84.90	2.00	97.00	21.50	CF.IS2.088.6
NW101.6	119.00	101.60	97.60	2.00	110.00	21.50	CF.IS2.101.6
NW114.3	130.00	114.30	110.30	2.00	122.00	28.00	CF.IS2.114.6
NW139.7	155.00	139.70	135.70	2.00	146.00	28.00	CF.IS2.139.6
NW168.3	183.00	168.30	163.10	2.60	174.00	28.00	CF.IS2.168.6
NW219.1	233.50	219.10	213.90	2.60	225.00	28.00	CF.IS2.219.6

Published Data Is Given in Good Faith. We Reserve the Right To, Without Warning Change the Dimensions When Not In Conflict With The Published Standard