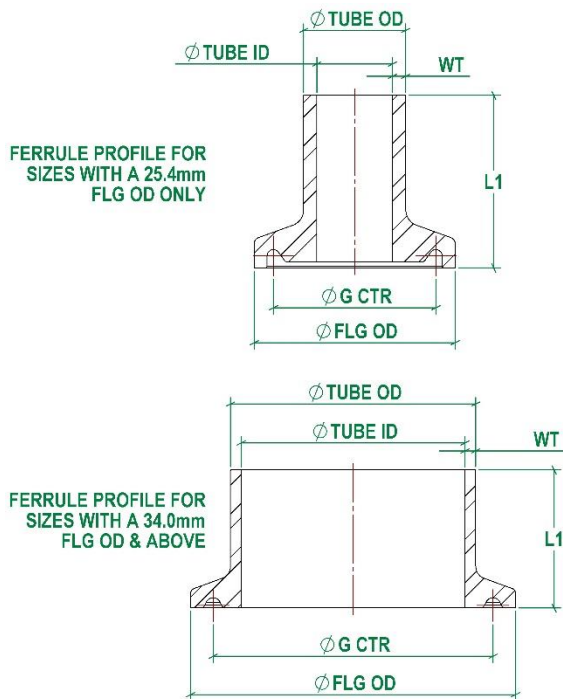


Tri-Clamp Fittings

SMS3008 / SMS3017, Ferrules



- Standard:** SMS3008 / SMS3017
- Material:** 316 Stainless Steel, EN1.4401
- Certification:** EN 10204-3.1
- Surface Finish (Internal):** 0.8Ra On Flat Surfaces
- Associated Standard:** SMS
- Associated Parts:** TC Clamps, TC Ferrules & TC Gaskets
- Options:** Duplex Materials Available Bored Upon Request
- Remarks:** Non-Standard Lengths Available Upon Request

TC Fittings, TC Ferrule, SMS3008							
Size (Inch)	FLG OD (mm)	TUBE OD (mm)	TUBE ID (mm)	WT (mm)	G CTR (mm)	L1 (mm)	Part Code
0.750"	25.40	18.00	16.00	1.00	20.30	21.50	CF.SM8.0075.6
1.000"	50.50	25.00	22.60	1.20	43.50	21.50	CF.SM8.0100.6
1.500"	50.50	38.00	35.60	1.20	43.50	21.50	CF.SM8.0150.6
2.000"	64.00	51.00	48.60	1.20	56.50	21.50	CF.SM8.0200.6
2.500"	77.50	63.50	60.30	1.60	70.50	21.50	CF.SM8.0250.6
3.000"	91.00	76.10	72.90	1.60	83.50	21.50	CF.SM8.0300.6
3.500"	106.00	89.00	85.00	2.00	97.00	21.50	CF.SM8.0350.6
4.000"	119.00	101.60	97.60	2.00	110.00	21.50	CF.SM8.0400.6

TC Fittings, TC Ferrule, SMS3017							
Size (Inch)	FLG OD (mm)	TUBE OD (mm)	TUBE ID (mm)	WT (mm)	G CTR (mm)	L1 (mm)	Part Code
1.000"	50.50	25.60	22.60	1.50	43.50	21.50	CF.SM7.0100.6
1.250"	50.50	33.70	30.70	1.50	43.50	21.50	CF.SM7.0125.6
1.500"	50.50	38.60	35.60	1.50	43.50	21.50	CF.SM7.0150.6
2.000"	64.00	51.60	48.60	1.50	56.50	21.50	CF.SM7.0200.6
2.500"	77.50	64.10	60.30	1.90	70.50	21.50	CF.SM7.0250.6
3.000"	91.00	76.70	72.90	1.90	83.50	21.50	CF.SM7.0300.6
3.500"	106.00	89.80	84.90	2.45	97.00	21.50	CF.SM7.0350.6
4.000"	119.00	102.50	97.60	2.45	110.00	21.50	CF.SM7.0400.6

Published Data Is Given in Good Faith. We Reserve the Right To, Without Warning Change the Dimensions When Not In Conflict With The Published Standard