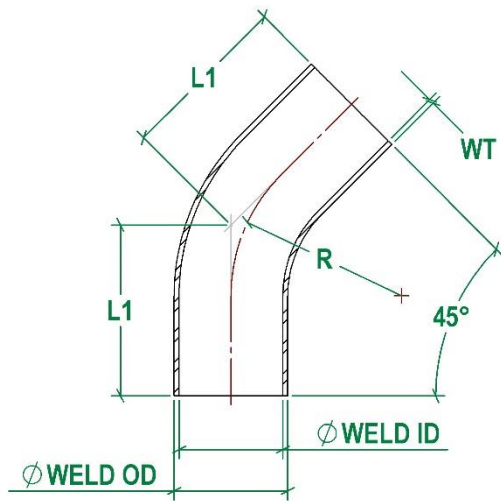


Weld End Fittings

BS4825-2, 45° Bends



- Standard:** BS4825-2, Imperial OD
- Material:** 316 Stainless Steel, EN1.4401
- Certification:** EN 10204-3.1
- Surface Finish (Ext / Int):** Dull Polish
- Associated Standard:** BS4825-1, BS4825-3, BS4825-4, BS4825-5
- Associated Parts:** OD Tube, TC Ferrule, Hygienic Unions
- Options:** 1D, 2D, 3D Radius Bends Available Upon Request
- Remarks:** 5" OD, 6" OD, 8" OD, 10 OD & 12 OD"
Can Be Found in Our Metric Section

Weld End Fittings, BS4825-2, 45° Bends

Size (inch)	TUBE OD (mm)	TUBE ID (mm)	WT (mm)	R (mm)	L1 (mm)	Part Code
0.500"	12.70	9.40	1.65	28.60	57.20	W45.BS.0050.6P
0.750"	19.05	15.75	1.65	28.60	19.40	W45.BS.0075.6P
1.000"	25.40	22.10	1.65	38.10	38.18	W45.BS.0100.6P
1.500"	38.10	34.80	1.65	57.15	41.28	W45.BS.0150.6P
2.000"	50.80	47.50	1.65	76.20	58.72	W45.BS.0200.6P
2.500"	63.50	60.20	1.65	95.25	76.20	W45.BS.0250.6P
3.000"	76.20	72.00	1.65	114.30	93.70	W45.BS.0300.6P
4.000"	101.60	97.60	2.00	152.40	122.20	W45.BS.0400.6P

Published Data Is Given in Good Faith. We Reserve the Right To, Without Warning Change the Dimensions When Not In Conflict With The Published Standard

Flowsource Process Fittings

Unit 2F Hockney Road Industrial Estate, West Yorkshire, BD8 9HQ, United Kingdom
[T] 01535 274 316 - [e] sales@flowsourcepf.com - [w] www.flowsourcepf.com

FLWSOURCE
PROCESS FITTINGS