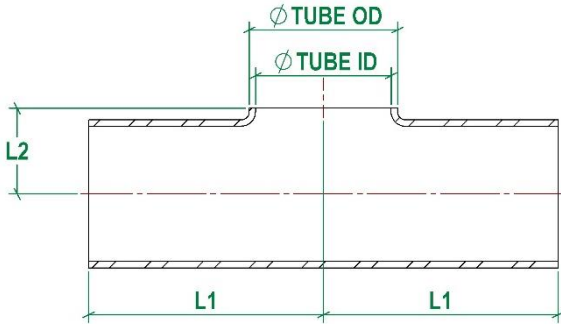
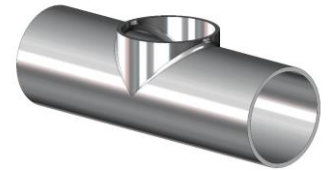


Weld End Fittings

BS4825-2, Pulled Tee



Standard: BS4825-2, Imperial OD

Material: 316 Stainless Steel, EN1.4401

Certification: EN 10204-3.1

Surface Finish (Ext / Int): Dull Polish

Associated Standard: BS4825-1, BS4825-3, BS4825-4, BS4825-5

Associated Parts: OD Tube, TC Ferrule, Hygienic Unions

Options: Non Standard Versions Can Be Pulled

Remarks: 5" OD, 6" OD, 8" OD, 10" OD & 12" OD
Can Be Found in Our Metric Section

Weld End Fittings, BS4825-2, Pulled Tee

Size (inch)	TUBE OD (mm)	TUBE ID (mm)	WT (mm)	L1 (mm)	L2 (mm)	Part Code
1.000"	25.40	22.10	1.65	43.50	14.20	WTP.BS.0100.6P
1.500"	38.10	34.80	1.65	63.50	21.00	WTP.BS.0150.6P
2.000"	50.80	47.50	1.65	88.50	29.10	WTP.BS.0200.6P
2.500"	63.50	60.20	1.65	113.50	35.30	WTP.BS.0250.6P
3.000"	76.20	72.00	1.65	133.50	41.40	WTP.BS.0300.6P
4.000"	101.60	97.60	2.00	173.50	54.70	WTP.BS.0400.6P

Published Data Is Given in Good Faith. We Reserve the Right To, Without Warning Change the Dimensions When Not In Conflict With The Published Standard

Flowsource Process Fittings

Unit 2F Hockney Road Industrial Estate, West Yorkshire, BD8 9HQ, United Kingdom
[T] 01535 274 316 - [e] sales@flowsourcepf.com - [w] www.flowsourcepf.com

FLOWSOURCE
PROCESS FITTINGS