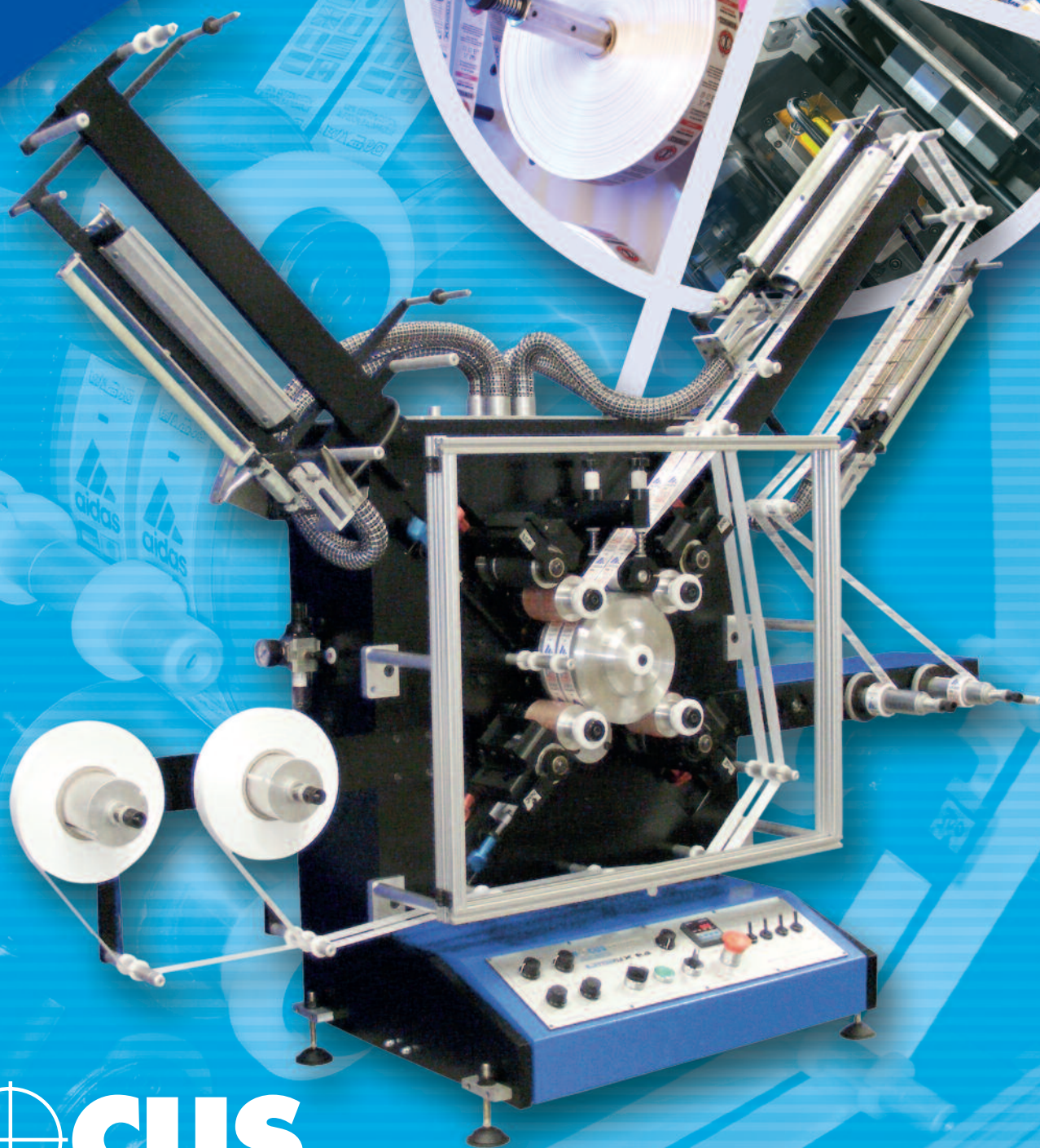


Take a closer look

at Letterflex B-Series
Label Printer



FOCUS
LABEL MACHINERY LTD

Focus Letterflex B4...

INTRODUCTION:

As the worlds leading manufacturer of narrow web Textile Printing Machinery Focus Label Machinery have been innovating and leading the industry for a number of decades and we are proud to announce a new entry level Press for production of Printed Apparel labels & decorative ribbons.

This is a machine which re-defines quality and ease of use for In plant & specialist printers. The B4 uses the same high quality engineering you would expect from any Focus equipment, designed & manufactured in the same UK factory as our high end equipment.

The B4 is more compact & productive than the L series it replaces, taking features from our high end LX series. The B4 provides quicker changeovers, easy to set up , a choice of drying systems and is easy to maintain. Its compact design lends itself to garment manufacturers wishing to produce their own labels as well as the volume printing specialists.



LETTERFLEX B4 APPLICATIONS

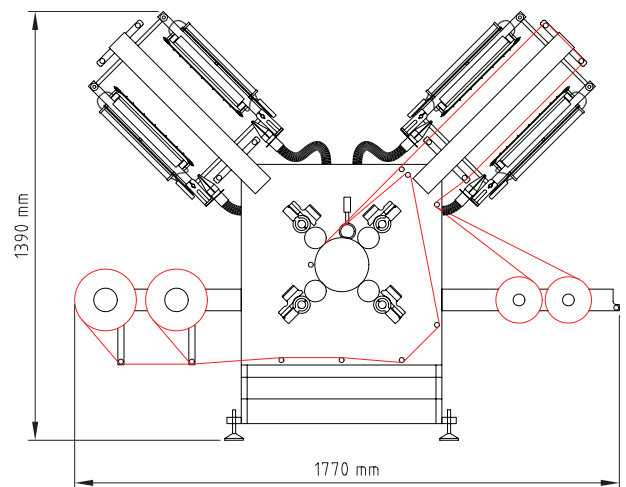
Garment & Apparel Labels & Decorative Ribbons, In House Printing

LETTERFLEX B4 FEATURES

- > Very Little Training Required
- > Easy Set Up
- > Reduced Waste
- > Highly Productive
- > 1 or 2 Ribbon Printing
- > Compact Table Top Solution
- > Quality & Precision

B 4 S P E C I F I C A T I O N S

Maximum no. of colours	4 Colours
Possible print configurations	4 colours, 3 + 1 colours, 2 + 1 colours & 1 + 1 colours
Number of Rewinds	2 Rewinds
Number of Unwinds	2 Unwinds
Anilox Type	Ceramic Anilox Rolls
Ink duct Type	Ink Cartridge
Print length range	6" to 12" (150mm – 304mm)
Machine Speed	0 to 60 Mts /min
Options	Heater Mat Drying System, Combination Infra Red & Fan Drying System



B4 Letterflex Compact Label Printer



Focus Label Machinery Ltd

Kendryl Park • Chapel Lane • Bingham • Nottingham NG13 8GF • England

Telephone: +44 (0) 1949 836223 • Fax: +44 (0) 1949 836542

Web: www.focuslabel.com • E-mail: admin@focuslabel.com