

APPLICATIONS:

Low volume printing, personalised labels, security labels, variable information, sequential numbering, bar codes, variable bar codes, tickets, small cartons, packaging, identification products, retail applications.

dFlex ADVANTAGES:

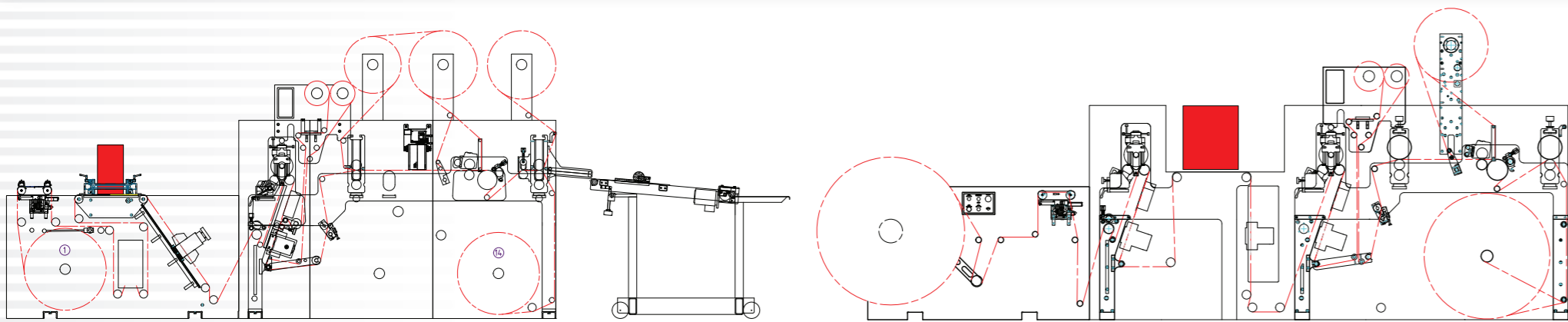
Full rotary servo system, realistic level of investment, sits alongside traditional printing & converting equipment, No printing plates, quick set up, existing tooling can be used, no click charges, no expensive service contracts, only pay for the Inks you use.

HOW IT WORKS:

Inkjet is non-contact printing technology, making use of tiny droplets of Ink driven by electrical signals through an ink chamber array onto the substrate, which is transported just below the print head. The deposited drops have to spread spontaneously and form the image, before being cured under a UV drying system. The technology needs no printing plates or screens and provides major saving in set up times. Jobs can be changed over in a matter of seconds.

Labels can even carry variable information or images. Single pass inkjet printing is gaining in popularity in the manufacture of labels and other flexible packaging applications, to facilitate high speed, short run production.

D F L E X S P E C I F I C A T I O N S					
STANDARD PRINT ENGINE	D-FLEX 250	D-FLEX 330	NEW HIQ PRINT ENGINE	D-FLEX 250	D-FLEX 330
Web Width	255	335	Web Width	255	335
Ink Jet Engine Print Width (mm) Options)	142mm-202mm-250mm	202mm-270mm-330mm	Ink Jet Engine Print Width (mm) Options)	149mm-223mm-250mm	223mm-298mm-330mm
No of Heads per Colour	2-3-4	3-4-5	No of Heads per Colour	2-3-4	3-4-5
Resolution KM1024im	360 x 360: 360 x 720 dpi	360 x 360: 360 x 720 dpi	HiQ Resolution KMN1800iSHC	600 x 600, 600 x 1200 dpi	600 x 600, 600 x 1200 dpi
Grey Scales	4 : 2	4 : 2	Grey Scales	4 : 2	4 : 2
Colour options	mono, cmyk, white + cmyk	mono, cmyk, white + cmyk	Colour options	mono, cmyk, white + cmyk	mono, cmyk, white + cmyk
Print Speeds	40 Mts/min : 60 Mts/min	40 Mts /min: 60 Mts/min	Print Speeds	55 Mts/min : 80 Mts/min	55 Mts/min: 80 Mts/min
GRAPHICS SOFTWARE			CONVERTING /FINISHING OPTIONS		
PC, Front end Software + RIP Included	Global Inket Systems , Full Real time data Transfer		Flexo Pre-Coat, Flexo Over Varnish, Flexo Print, Cold Foil, lamination, Rotary Die Cutting, Roll to Roll, Roll to Sheet, Corona Treatment, Web Cleaners, Anti-Static systems , Video Inspection.		
Optional Software	Colourgate (automated colour management)				
File Formats	BMP,JPG,TIFF,PDF,CSV				



Standard d-Flex

Integrated Digital Solutions

Focus Label Machinery Ltd • Kendryl Park • Chapel Lane • Bingham • Nottingham • NG13 8GF • England • Telephone: +44 (0) 1949 836223 • Fax: +44 (0) 1949 836542
[http://: www.focuslabel.com](http://www.focuslabel.com) • E-mail: admin@focuslabel.com

Focus Label Machinery Ltd reserve the right to change the specification without prior notice.

Take a closer look

d-Flex...Integrated Digital Inkjet System



FOCUS
LABEL MACHINERY LTD

Focus d-Flex... click & print...

INTRODUCTION:

A myriad of digital possibilities for label production now exists. The launch of the Focus d-Flex coincides with emerging Inkjet Single Pass Print technology delivering an industrial performance suitable for specialist label manufacturers.

Focus Label Machinery has produced a hybrid print & converting solution, combining a single pass, multi-colour inkjet head & engine with full rotary flexo printing, laminating, foiling & die cutting facilities in a single pass.

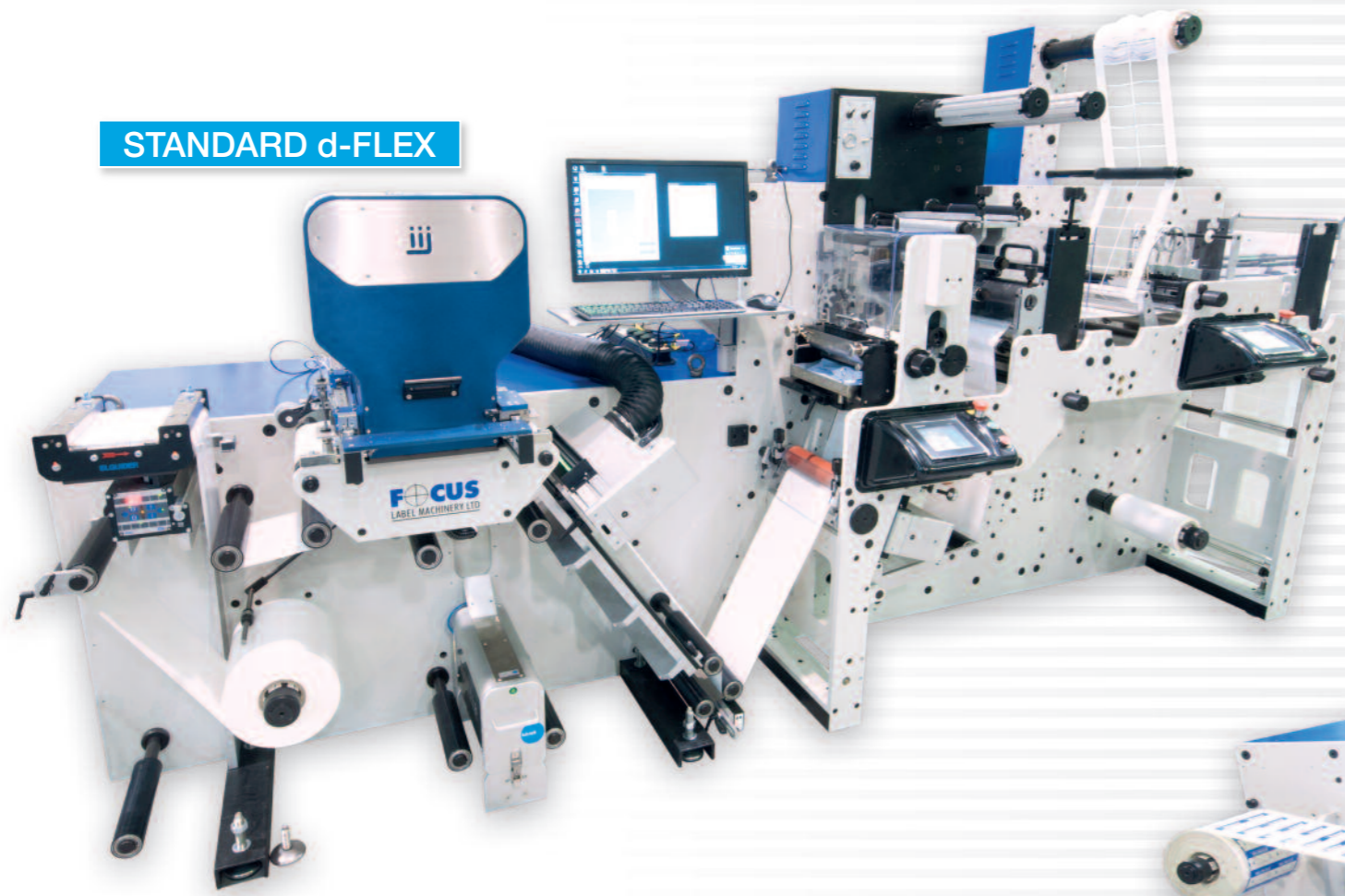
The modular inkjet system is available in 142, 250 & 330mm wide versions, with running speeds of up to 50 mts/min. With increasing pressures from buyers to order less labels at more regular intervals, the d-Flex is an effective method of producing short run, digitally printed labels on affordable equipment. The high end software with variable information & colour management capabilities ensures that the promise of the digital print revolution becomes a reality.

The d-Flex is based on Konica Minolta technology, a globally trusted brand and has been manufacturing Inkjet systems for many years. The brand is synonymous with quality, reliability & performance. Global support comes through Focus & the Konica Minolta networks of 'Industrial Ink Jet Ltd' support companies.

d-FLEX SYSTEMS PROVIDES:

- > Lean manufacturing
- > Integrated converting solution
- > Print & supply on demand
- > Reduced waste with a single pass operation
- > High end print driver software & RIP
- > Variable information printing
- > White option
- > No click charges
- > Synthetic & paper substrates (coated)
- > Combine digital & flexo printing applications
- > Re-register option for pre-printed webs from other digital equipment
- > Stand alone flexo printing, converting & coating press

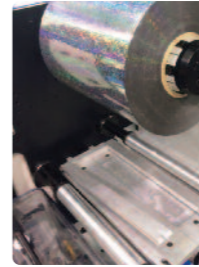
STANDARD d-FLEX



INTEGRATED DIGITAL SOLUTIONS




DIGITAL INK JET
For variable Print Focus presents its Ink Jet system in cooperation with Industrial Inkjet Ltd. The system can handle high volumes of data for printing Security data, bar codes, sequential numbers and variable text.




COLD OR HOT FOIL
Focus has a variety of Hot or Cold Foil Application solutions designed to make the best of the Proflex flexible converting platform



CONVERTING STATIONS
Heavy Duty Servo driven Die cutting units provide an excellent converting platform for Film, Labels & board applications. 360 degree Register and lateral side register features ensure minimal waste & rapid set up.




SLITTING
A Choice of Razor/Knife Blade or Pneumatic Crush slitters can be supplied for slitting individual webs or Edge trimming. Long life blades are easy to position, set & change. Even Perforation wheels can be supplied



SERVO TECHNOLOGY
Print modules incorporate Digital Drive technology reducing mechanical register errors providing exceptional control over a wide range of substrates. With optional point-to-point Auto register control.



UNWIND MODULE
650 mm Diameter Unwind with Servo Controlled closed loop Tension system. Features include a built in splice Table & Automatic Web Guide with facilities to add Corona & Web Cleaning systems.




PRINT MODULES
Servo driven, with choice One or Two Colour Flexo Print modules available with a choice of the latest Enclosed Ink Fountain technology with twin Doctor blades or the regular 2 Roll Flexographic system.



CORONA TREATER & WEB CLEANER
Focus provides the facility to add a wide range of options including single or Twin sided Web Treatment systems. Anti Static system can also be supplied for Synthetic Substrates.



OPERATOR INTERFACE
A touch screen provides the operator with a user-friendly interface; Intuitive Icons display all adjustable functions and current data. Information can be stored and recalled for repeat jobs or linked to Management systems for Real time analysis.



DRYING SYSTEMS
A choice of advanced drying systems is provided. Individually controlled IR Units with forced air automatically adjusted with the Press speed are standard. Full or Part U.V system can be added with integrated chill rolls if desired.



REWIND
A direct Driven Rewind ensure Rolls are perfectly wound ready for further finishing operations or direct delivery to your client. 75mm Air cores are standard, and alternative Cores sizes can be supplied.