

Take a closer look

at Focus Textile
Machinery Solutions



TAGTRANS
transferprints

LETTERFLEX
TEXTILE PRINT & CONVERTING SYSTEMS



FOCUS
LABEL MACHINERY LTD

Halo Free

Technology

INTRODUCTION HEAT TRANSFER PRINTING: HTL/TAGLESS

Apparel manufacturers started looking for alternatives to Woven labels several years ago. The Tagless 'Heat transfer Label' was originally developed out of the 'T' shirt transfer' technology, using the same decorative heat transfers system to produce labels.

The required image is printed onto a special release paper before then being transferred onto the garment with a heat press. The industry now has some variants including direct Pad printing & Digital printing.

When it comes to Soft touch, high quality images with high wash resistance the Heat Transfer labels covers most garment applications, printing as low as 5 point text, photo quality images, pantone shades and spot colours.

Tagless labels have increased in popularity and are now used on a wide variety of items including high priced designer garments, sports & intimate wear, leather and even delicate fabrics, often replacing expensive woven labels which can form a reason for irritation when worn against the skin.

For the retailer & manufacturer they offer the advantage of permanently affixing a logo, advertising or marketing message to the garment. They don't fade over time, are an attractive integral part of the garment and can be attached much quicker than a sewn in label. While some large manufacturers use sophisticated machinery to apply tagless labels, the majority of clothing manufacturers, both large and small, use relatively inexpensive equipment such as heat seal presses to do the job.

With our advanced technology it is possible to produce as few as 500 or 1,000 four colour custom tagless labels for garments & apparel applications.

Focus Tagtrans 225 Pro-Screen

The 225 Pro-Screen is an Advanced Silk Screen Printing Press with precision Registration system for production of single & multicolour Tagless /HTL transfers.

The larger print area increases production capacity to an impressive 250 x 350mm. Standard with the Pro-Screen model is a Hole punch system for precision registration on coated Papers & Film for 2nd or 3rd Pass multi colour transfers.

The integrated Adhesive Powder system ensures repeat high quality halo free transfers with minimum of wastage.

The brand new PLC controlled 360 degree drying system completes the production line with an impressive 12mts /min capacity. Twin Rewinds & Slitting options for Roll to Roll applications are provided as options.



REWINDING
Single or Twin Rewinding options are available with Servo driven Shafts ensuring Roll s are perfectly tensioned for automatic Transfer application systems.

SLITTING SYSTEM
Labels can be slit & divided into individual rolls before rewind

SUBSTRATE COOLING
Substrate is cooled by integrated cooling fans when exiting the drying oven.

DRYER CONTROLS
The integrated drying system includes full Thermostatic controls to monitor & control the oven drying temperature according to Adhesive & substrate requirements.



POWDER UNIT
Powder Adhesive is applied evenly across the web. Any waste Powder is vacuumed and re-cycled maintaining a clean working environment with minimal waste.

REGISTRATION
Standard equipment includes a programmable "Hole Punch" for Paper & Film substrates which benefits when printing additional colours with a second pass.

PHOTOEYE
Focus provides a high quality photo-eye monitoring system for Printed registration mark or Hole punch.

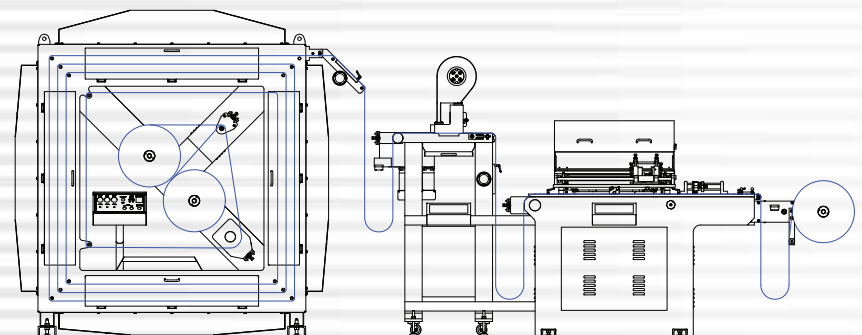


PLC CONTROLS
Focus use the latest technologies with Dial in options for web based technical support. The PLC & Servo based systems control all integrated functions.

UNWIND
The new large capacity Unwind with Servo driven Tensionless system will improve Re-Register stability.

SCREEN UNIT
The Pro-Screen provides a larger printing area with improved access, and an automatic lift for cleaning the screen.

TAGTRANS 225 SPECIFICATIONS	
Drive System	Servo Technology, PLC Programmable
Print System	Silk Screen
Print Length	350mm, PLC Programmable
Print Width	250mm
Web Width	270mm
Print Heads	1 with Auto Register 2,3,4 Passes
Max Speed	12 Mts/min
Average Speed	10 Mts /min
Second Pass/ Auto Register	Yes
Photo Eye Registration	Yes
Hole Punch Registration	Yes
Powder Adhesive Application	Yes
Adhesive Auto Recycle	Yes
Drying System	Yes, IR Drying with Recirculation Fans
Drying Length	Variable, 12Mts to 25Mts
Auto Temp Control	Yes, Programmable Thermostatically Controlled
Cooling System	Yes
Auto Unwind	Yes
Splice Table	Yes
Rewind	1 or 2, 2nd Rewind Option
Slitting	Yes (2 Knives supplied)
Substrates	Paper or Film, Pre-Coated (Cold or Hot Peel), Details on Request
Adhesives	Powder, Details on Request
Adhesives	Liquid, Silk Screen applied, Details on Request
Printing Inks	Water / Solvent based, Details on Request



Focus Tagtrans 225 Pro-Screen

Advance Silk Screen Printing Press with precision Registration system for production single & multicolour Tagless /HTL transfers. The includes a Powder Adhesive application unit & Drying systems for halo free Tagless/HTL production.

Focus Tagtrans 150 Screen

The compact 150 screen system provides the perfect entry level possibility to produce high quality multi-colour & Single Colour Tagless/Heat Transfer labels.

The equipment is a complete system solution with integrated Powder adhesive applicator, a Linear drier, Slitting & rewind facilities for Roll to Roll production, ensuring high productivity, quality & reduced waste.

The PLC driven system delivers excellent registration between each pass. The drying system is monitored to ensure consistent drying over arrange a paper/Synthetic substrates & Adhesive types.

If you are looking at improving your quality & capacity for production of Heat Transfers/Tagless labels the Tagtrans 150 makes perfect sense.





SLITTING SYSTEM
Labels can be slit & divided into individual rolls before rewind.



REWINDING
Single or Twin Rewinding options are available with Servo driven Shafts ensuring Rolls are perfectly tensioned for automatic Transfer application systems.



POWDER UNIT
Powder Adhesive is applied evenly across the web. Any waste Powder is vacuumed and re-cycled maintaining a clean working environment with minimal waste.




SCREEN UNIT
The new designed Screen unit provides a compact printing area with improved access for cleaning the screen and an automatic lift of the Squeegee module for cleaning the screen.



UNWIND
The new large capacity Unwind with Servo driven Tensionless system will improve Re-Register stability.



DRYER CONTROLS
The integrated drying system includes full Thermostatic controls to monitor & control the oven drying temperature according to Adhesive & substrate requirements.



OVEN DRIER
The Linear drier is enclosed and provides a controlled drying system with thermostat and monitored oven temperature to ensure consistent performance. Air is circulated by industry standard fans.




PLC CONTROLS
Focus use the latest technologies with Dial in options for web based technical support. The PLC & Servo based systems control all integrated functions.

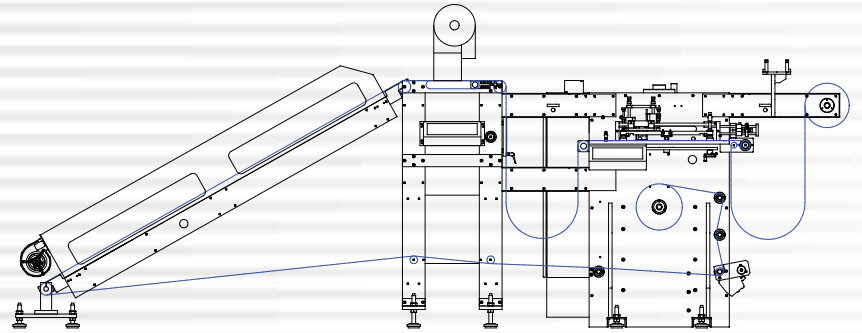


PHOTOEYE
Focus provides a high quality photo-eye monitoring system for Printed registration mark or Hole punch if installed.



REGISTRATION
A Pre-Printed mark is used to monitor registration for multi Colour/pass transfers. An optional programmable "Hole Punch" is also available for Paper & Film substrates is available which benefits when a printed Mark is not an possible.

TAGTRANS 150 SPECIFICATIONS	
Drive System	Servo Technology, PLC Programmable
Print System	Silk Screen
Print Length	200mm, PLC Programmable
Print Width	150mm
Web Width	165mm
Print Heads	1 with Auto Register 2,3,4 Passes
Max Speed	6 Mts/min
Average Speed	4.0 Mts /min
Second Pass/ Auto Register	Yes
Photo Eye Registration	Yes
Hole Punch Registration	Option
Powder Adhesive Application	Yes
Adhesive Auto Recycle	Yes
Drying System	Yes, IR Drying with Recirculation Fans
Drying Length	7 mts
Auto Temp Control	Yes, Programmable Thermostatically Controlled
Cooling System	No
Auto Unwind	Yes
Splice Table	Yes
Rewind	1
Slitting	Option
Substrates	Paper or Film, Pre-Coated (Cold or Hot Peel), Details on Request
Adhesives	Powder, Details on Request
Adhesives	Liquid, Silk Screen applied, Details on Request
Printing Inks	Water / Solvent based, Details on Request



Focus Tagtrans 150 Screen

Entry level Silk Screen Printing press with re-register system for production of single multicolour Tagless/HTL transfers. The includes a Powder Adhesive application unit & Drying systems for halo free Tagless/HTL production.




LX Letterflex Tagtrans Rotary

This is a high speed Rotary Print System for HTL transfer, apparel labels, decorative Ribbons and printed Elastics.

The Letterflex LX Rotary press is a versatile machine for many garment / Apparel applications. The equipment can print up to 6 Colours in a single pass without the registration issues associated with shrinkage of the substrate in other production methods, improving quality & productivity.

Where Transfers are required for light colour garments /Apparel the Letterflex system provides the leading production solution for volume production. The system includes Print Module (4-6 Colours), Powder Adhesive applicator & Drier with Rewinding and slitting systems. Combining production with the Tagtrans screen systems ensures full flexibility for any Heat transfer applications.

LINEAR OVEN DRIER (Heat Transfers)
The Linear drier is enclosed and provides a controlled drying system with thermostat and monitored oven temperature to ensure consistent performance. Air is circulated by industry standard fans.




IR DRYING SYSTEM (Garment Labels & Ribbons)
Upgraded Infra-red drying system provides improved drying options for textiles & Transfer applications.



DRYER CONTROLS
The integrated drying system includes full Thermostatic controls to monitor & control the oven drying temperature according to Adhesive & substrate requirements.



POWDER UNIT
Powder Adhesive is applied evenly across the web. Any waste Powder is vacuumed and recycled maintaining a clean working environment with minimal waste.



SLITTING SYSTEM
Labels can be slit & divided into individual rolls before rewind.




OPERATOR CONTROLS
The LX machine has easy to operate systems. Printing speeds are variable from 0-60 Mts per minute regardless of the number of Colours. The Drying system can be trimmed according to press speed.




PRINT SYSTEM
The Focus Letterflex system will print 4 to 6 Colours printed in a single pass with precise register control, with quality & high speed. This is a proven printing system combining Letterpress Inks & Flexographic printing plate technology for high resolution images including process colours. Focus machines have a large printing area of 150 x 300mm.




REWIND
The Heavy duty Rewind is designed to take heavy Paper & Film rolls of finished Transfers. Tensions can be controlled infinitely for soft or hard Winding, depending on the substrate.



ELASTICS
The LX machines can print direct to elastics with optional tension system. Up to 6 colours with accurate register and elastic products will meet wash testing requirements.



HTL TRANSFERS TAGLESS LABELS
The LX4 & LX6 will produce multicolour Heat Transfers with accurate registration and high resolution including process printing, all in a single pass with possibility to apply adhesive in line, or as a second pass by Silk Screen.

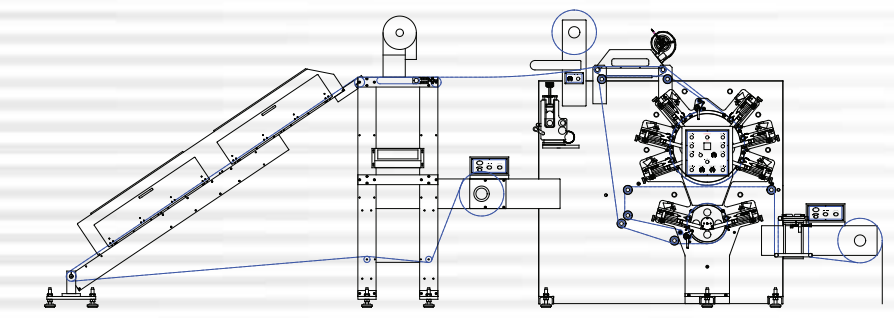


GARMENT LABELS
The LX range of machines are suitable for high speed printing of Garment Labels & Printed Ribbons. Labels are fully wash resistant & meet Oekotex standards.



UNWIND & SPLICE TABLE:
The heavy duty Rewind ensures roll of Paper or Film are presented to the Printing section perfectly for trouble free running with controlled tension.

TAGTRANS LX ROTARY SPECIFICATIONS	
Machine Type	TAGTRANS LX 4- LX6 ROTARY
Print Application	Rotary Letterflex
Print Length	305mm
Print Width	150mm
Web Width	165mm
Print Heads	4 to 6
Max Speed	15 Mts /Min
Average Speed	10 Mts /Min
Powder Adhesive Application	Yes
Adhesive Auto Recycle	Yes
Drying System	Yes
Drying Length	7 Mts
Auto Temp Control	Yes
Splice Table	Yes
Rewind	Yes
Slitting	Yes
Substrates	Paper or Film, Pre-Coated (Cold or Hot Peel), Details on request
Adhesives	Powder, details on request
Printing Inks	Letterflex, details on request
Other Applications	Apparel Label, decorative Ribbons, Elastics



Focus Tagtrans LX Rotary

Rotary Print System for Tagless/HTL transfer, apparel labels, decorative Ribbons and printed Elastics. The LX press can print up to 6 Colours in a single pass. The LX offers High speed production with Powder Adhesive application for halo free Tagless/HTL production.

APPLICATIONS:

Tagless/ HTL prints are presented in rolls or sheets ready to be applied onto the garment with the application of heat and pressure. The transfer application process typically takes about two to five seconds, depending on the manufacturer's process and the type of fabric.

The tag constitutes an ultra-thin layer of specially formulated adhesive and lettering, which results in a sharp highly stretchable & flexible image being fixed permanently to the fabric. Standard practice calls for the labels to be durable enough to withstand 50 washes as well as dry cleaning.

Heat transfer labels can be applied to polyester, polyethylene, leather, spandex and nylon. The latest developments in the technology have enabled these tags to be applied to thin low-weight fabrics, such as those used in lingerie, without any see-through effect. Printed Transfers can be Hot or Cold peel for Automatic /Manual application, with or without a visible Halo.

INKS & ADHESIVES

Inks & adhesives are available from a number of sources, globally & locally placed.

In addition Focus supplies its exclusive range of Tagtrans Inks & Adhesives for use in production of heat transfers. Our inks are Pantone matched & can be mixed in accordance with the Pantone guide to achieve any possible colour. Inks comply with Oekatex Class 1 standard., they are Phalate & PVC free.

TRANSFER SUBSTRATES: (Hot Split-Cold Split)

Substrates for Tagless/HTL production can be sourced globally at local level. Papers & Synthetic film coated materials are widely available with both Cold & Hot Peel features according to the application required.

tagless | halo | free

ADVANTAGES OF TAGTRANS:

- ⊕ Flexible cost effective solution
- ⊕ Compact system
- ⊕ Single & multi colour images, including 4 colour process images (Halo Free)
- ⊕ Liquid or powder adhesive option
- ⊕ High speed set ups, quick changeovers
- ⊕ Small or long run suitability
- ⊕ High quality transfers, fabric labels, printed ribbons & elastics
- ⊕ Soft, durable & flexible transfers
- ⊕ Economical capital investment
- ⊕ Multi purpose equipment (dye sublimation paper, elastics, labels & transfers)
- ⊕ Oekatex certified
- ⊕ Reputable manufacturer & supplier
- ⊕ Full support, technical training & installation available worldwide
- ⊕ Demonstration available in uk showroom.



tagless | halo | free

LETTERFLEX
TEXTILE PRINT & CONVERTING SYSTEMS