



## STAUFF TEST



STAUFF  
ANGLIA



**Stauff Anglia Limited**

405 Coppersmith Way | Wymondham | Norfolk NR18 0WY

**T: 01953 857158 F: 01953 857159 E: [Sales@stauffanglia.co.uk](mailto:Sales@stauffanglia.co.uk)**

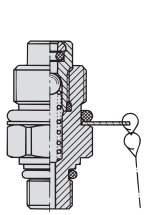
**[www.stauffanglia.co.uk](http://www.stauffanglia.co.uk)**

**Stauff-Test**

**Page**

Port connections and sealing details

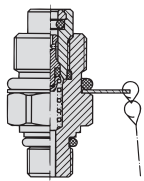
4



**TEST 20  
Type SMK  
(M 16 x 2)**

- Fast coupling with ball valve
- Test coupling with protective cap
- Test coupling SMK (compression ring fittings)
- Test coupling SMK (37° JIC fittings)
- Test hose SMS (for gaseous media Type SGS)
- Adaptor SAD
- Bulkhead SSK (for gaseous media Type SSKK)
- Gauge adaptor SMA
- Direct gauge adaptor SMD

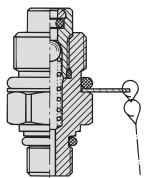
- 5
- 6
- 7
- 8
- 9
- 9
- 10
- 10
- 10



**TEST 20  
Type SKK  
(M 16 x 2)**

- Fast coupling with poppet valve
- Test coupling with protective cap
- Test coupling SMK (compression ring fittings)

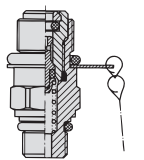
- 11
- 12
- 13



**TEST 15  
Type SMK  
(M 16 x 1,5)**

- Fast coupling with ball valve
- Test coupling with protective cap
- Adaptor SAD
- Test coupling SMK (compression ring fittings)
- Test hose SMS (for gaseous media Type SGS)
- Bulkhead SSK (for gaseous media Type SSKK)
- Gauge adaptor SMA
- Direct gauge adaptor SMD

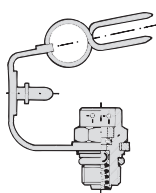
- 14
- 15
- 15
- 16
- 17
- 18
- 18
- 18



**TEST 12  
Type SKK  
(S 12,65 x 1,5)**

- Fast coupling with poppet valve
- Test coupling with protective cap
- Test coupling SMK (compression ring fittings)
- Test hose SMS (for gaseous media Type SGS)
- Bulkhead SSK (for gaseous media Type SSKK)
- Gauge adaptor SMA
- Direct gauge adaptor SMD
- Adaptor SAD

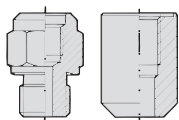
- 19
- 20
- 21
- 22
- 23
- 23
- 23
- 23



**TEST 10  
(Plug in system)**

- Fast coupling with ball valve
- Test coupling with protective cap
- Test coupling SMK (compression ring fittings)
- Test hose SMS
- Test hose SMS for direct gauge adaptor
- Gauge adaptor SMA

- 24
- 25
- 25
- 26
- 26
- 26



**SRS + SAS**

- Thread adaptor SRS
- Welding adaptor SAS

- 27
- 27



**Pressure gauge**

- Pressure gauge SPG
- Adjustable gauge fitting EMV

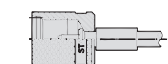
- 28
- 28



**Pressure test kit**

- Pressure test kit SMB

- 29

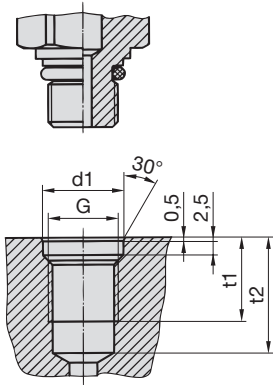


**Test hoses**

- Technical data for test hoses
- Ordering code
- Hose Connector SSV
- Hose ends

- 30
- 30
- 30
- 31 – 35

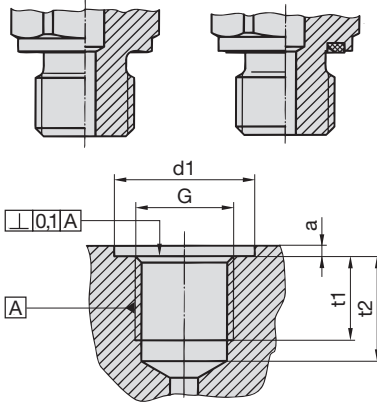
Port connections and sealing details



**Type A**

Threaded port according to factory standard

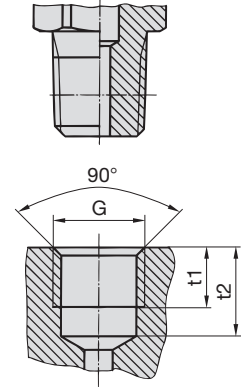
G	d1 +0,1	t1 min.	t2 min.
M8 x 1	9,5	11	15,5
M10 x 1	11,5	12	16,5



**Type B and C**

Threaded port type X according to DIN 3852 Part 1 and 2; ISO 9974-1 (metric); ISO 1179-1 (Inch)

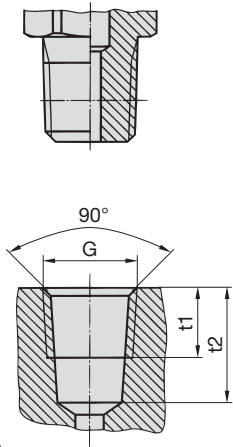
G	d1 min.	t1 min.	t2 min.	a max.
M10 x 1	15	8	10	1
M12 x 1,5	18	12	15	1,5
M14 x 1,5	20	12	15	1,5
M16 x 1,5	23	12	15	1,5
M18 x 1,5	25	12	15	2
M20 x 1,5	27	14	17	2
M22 x 1,5	28	14	17	2,5
G <sup>1</sup> / <sub>8</sub>	15	8,5	10,5	1
G <sup>1</sup> / <sub>4</sub>	20	12,5	15,5	1,5
G <sup>3</sup> / <sub>8</sub>	23	12,5	15,5	2
G <sup>1</sup> / <sub>2</sub>	28	14,5	18,5	2,5



**Type D**

Parallel threaded port type Z according to DIN 3852 Part 2 (Inch)

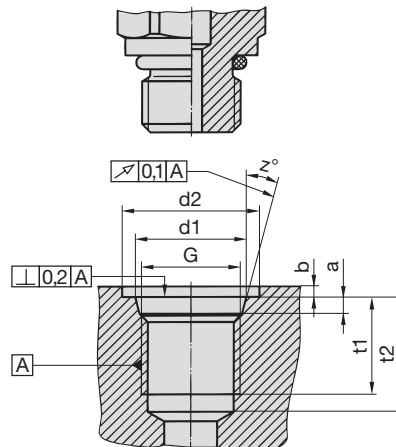
G	t1 min.	t2 min.
Rp <sup>1</sup> / <sub>8</sub>	5,5	9,5
Rp <sup>1</sup> / <sub>4</sub>	8,5	13,5
Rp <sup>3</sup> / <sub>8</sub>	8,5	13,5
Rp <sup>1</sup> / <sub>2</sub>	10,5	16,5



**Type D**

Taper threaded port according to ANSI/ASME B1.20.1-1983 (NPT)

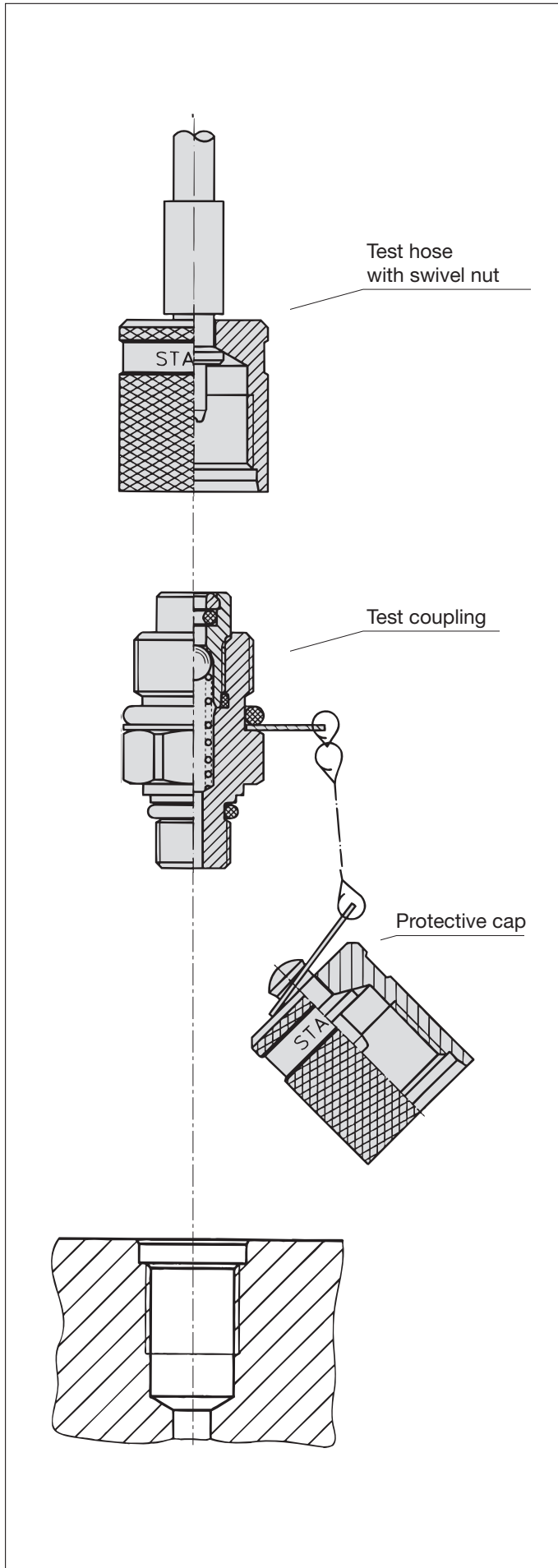
G	t1 min.	t2 min.
<sup>1</sup> / <sub>8</sub> -27 NPT	6,9	11,6
<sup>1</sup> / <sub>4</sub> -18 NPT	10	16,4
<sup>1</sup> / <sub>2</sub> -14 NPT	13,6	22,6



**Type E**

Threaded port according to ISO 6149-1 (metric); ISO 11926-1 (UNF)

G	d1 +0,1	d2 min.	t1 min.	t2 min.	a +0,4	b max.	z° ±1°
M10 x 1	11,1	16	10	11,5	1,6	1	12°
M12 x 1,5	13,8	19	11,5	14	2,4	1,5	15°
M14 x 1,5	15,8	21	11,5	14	2,4	1,5	15°
M16 x 1,5	17,8	24	13	15,5	2,4	1,5	15°
M22 x 1,5	23,8	29	15,5	18	2,4	2	15°
M27 x 2	29,4	34	19	22	3,1	2	15°
5/16-24 UNF	9,1	17	10	12	1,9	1,6	12°
7/16-20 UNF	12,4	21	11,5	14	2,4	1,6	12°
1/2-20 UNF	14	23	11,5	14	2,4	1,6	12°
9/16-18 UNF	15,65	25	12,7	15,5	2,5	1,6	12°
7/8-14 UNF	23,95	34	16,7	20	2,5	2,4	15°



### Fast coupling for:

- Monitoring and control of pressure
- Venting
- Sampling in high- and low-pressure systems

### Advantages:

- Coupling at system pressure level
- Leakproof connection before **ball valve** is open
- Simple connection to measuring, control and switching devices
- Self locking metal guard cap

### Working pressure:

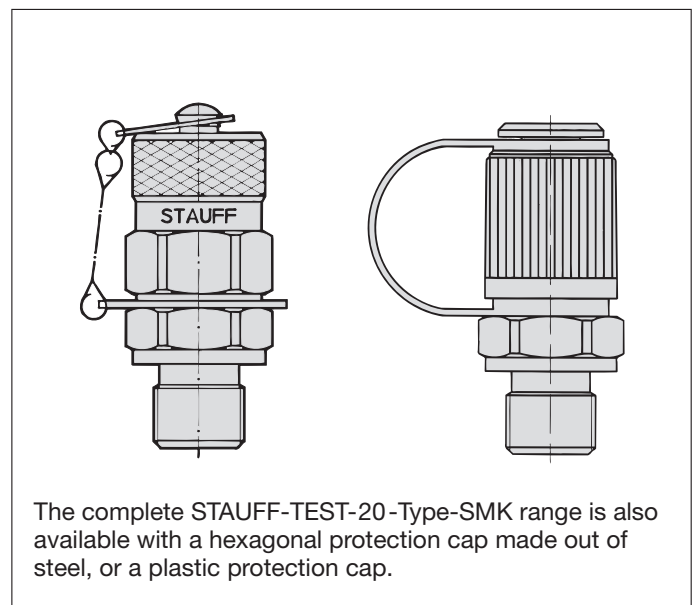
- Max. working pressure 630 bar  
For SMK style G and K the recommended working pressure of fitting manufacturer has to be applied
- Joining under pressure up to 400 bar max.

### Materials:

- Metal parts: Steel zinc-plated and yellow chromated, Stainless Steel on request
- Ball: Stainless Steel
- Seals:
  - P = NBR (Temperature range -20° C to +100° C)  
(Internal seals made of FPM (even at the standard NBR-type))
  - V = FPM (Temperature range -20° C to +200° C)
  - E = EPDM Ethylene Propylene (for Break Fluid, Temperature range -40° C to +150° C)
- Hose: Polyamide (Temperature range -35° C to +100° C)
- Vibration safety O-ring made of NBR (standard)

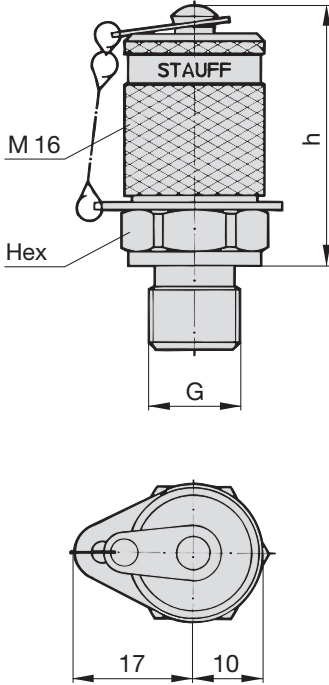
### Media:

- Suitable for hydraulic oils and other mineral oil based fluids (Please pay attention to the sealing materials used!)
- For use in conjunction with other liquid media please consult STAUFF

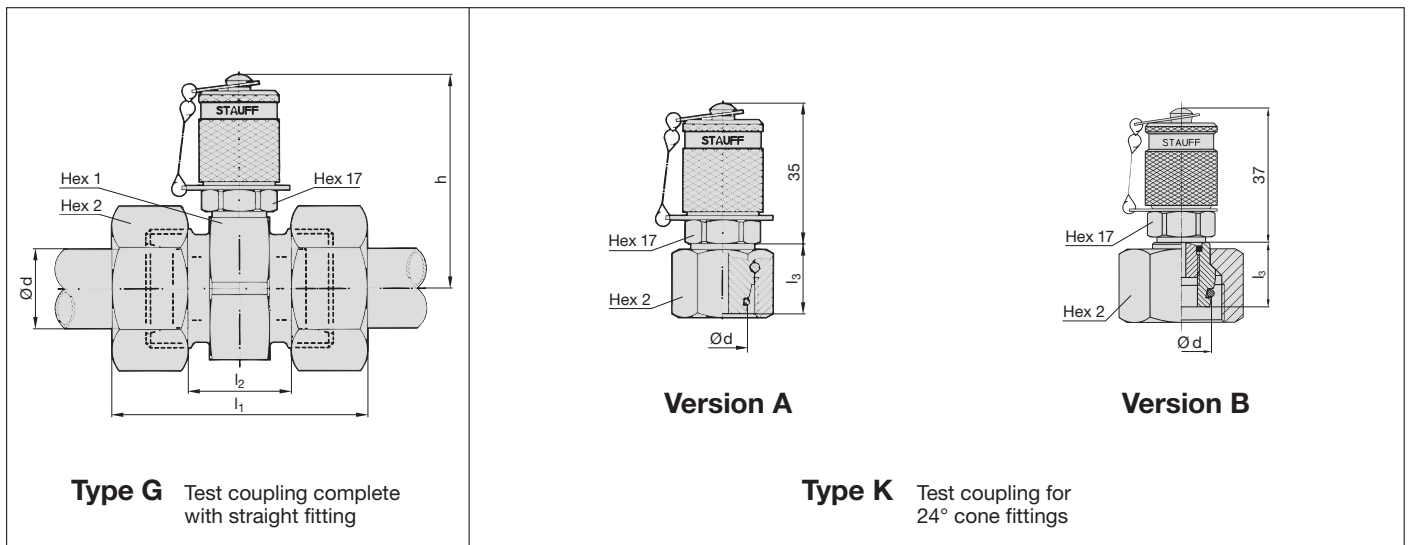


The complete STAUFF-TEST-20-Type-SMK range is also available with a hexagonal protection cap made out of steel, or a plastic protection cap.

**Test coupling with protective cap**

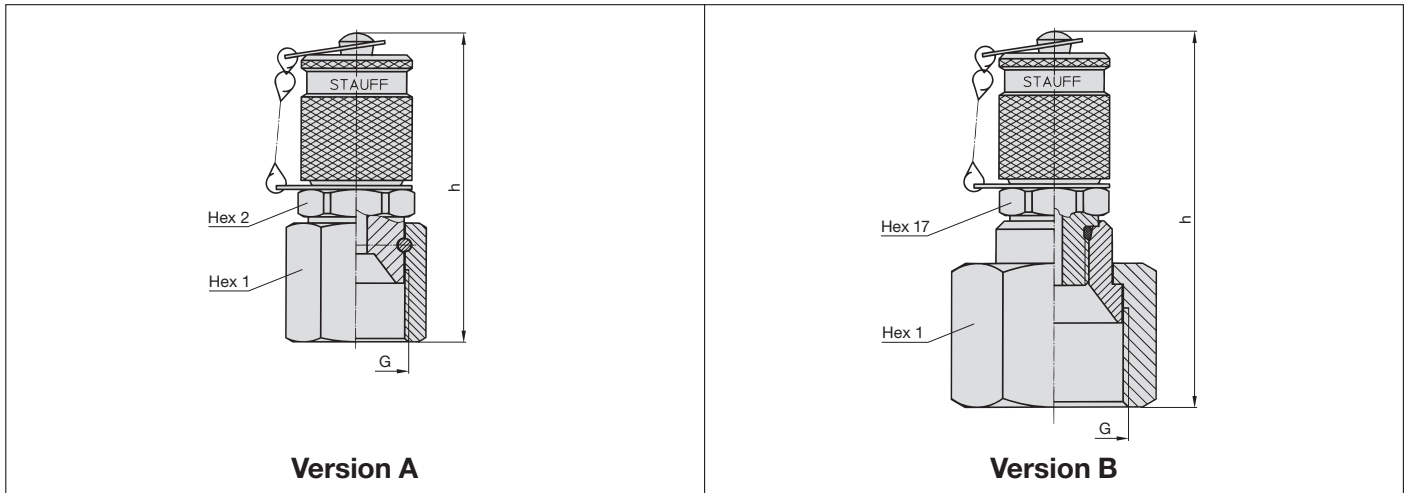
	Thread G	Seal	Working pressure bar	h	Hex	Order No.	
						NBR	FPM
	M8x1	O-ring Type A	250	38	17	SMK20-M8x1-PA	SMK20-M8x1-VA
	M10x1		630	38	17	SMK20-M10x1-PA	SMK20-M10x1-VA
	M10x1	Metal joint Type B	400	37	17	SMK20-M10x1-PB	SMK20-M10x1-VB
	M12x1,5		630	37	17	SMK20-M12x1,5-PB	SMK20-M12x1,5-VB
	M14x1,5		630	37	19	SMK20-M14x1,5-PB	SMK20-M14x1,5-VB
	M16x1,5		630	37	22	SMK20-M16x1,5-PB	SMK20-M16x1,5-VB
	G <sup>1</sup> / <sub>8</sub>		400	39	17	SMK20-G <sup>1</sup> / <sub>8</sub> -PB	SMK20-G <sup>1</sup> / <sub>8</sub> -VB
	G <sup>1</sup> / <sub>4</sub>		630	37	19	SMK20-G <sup>1</sup> / <sub>4</sub> -PB	SMK20-G <sup>1</sup> / <sub>4</sub> -VB
	G <sup>3</sup> / <sub>8</sub>	630	37	22	SMK20-G <sup>3</sup> / <sub>8</sub> -PB	SMK20-G <sup>3</sup> / <sub>8</sub> -VB	
	M10x1	Elastomeric seal Type C	400	39	17	SMK20-M10x1-PC	SMK20-M10x1-VC
	M12x1,5		630	37	17	SMK20-M12x1,5-PC	SMK20-M12x1,5-VC
	M14x1,5		630	37	19	SMK20-M14x1,5-PC	SMK20-M14x1,5-VC
	M16x1,5		630	37	22	SMK20-M16x1,5-PC	SMK20-M16x1,5-VC
	G <sup>1</sup> / <sub>8</sub>		400	39	17	SMK20-G <sup>1</sup> / <sub>8</sub> -PC	SMK20-G <sup>1</sup> / <sub>8</sub> -VC
	G <sup>1</sup> / <sub>4</sub>		630	37	19	SMK20-G <sup>1</sup> / <sub>4</sub> -PC	SMK20-G <sup>1</sup> / <sub>4</sub> -VC
	G <sup>3</sup> / <sub>8</sub>		630	37	22	SMK20-G <sup>3</sup> / <sub>8</sub> -PC	SMK20-G <sup>3</sup> / <sub>8</sub> -VC
	G <sup>1</sup> / <sub>2</sub>		630	39	27	SMK20-G <sup>1</sup> / <sub>2</sub> -PC	SMK20-G <sup>1</sup> / <sub>2</sub> -VC
	R <sup>1</sup> / <sub>8</sub> K	Taper Type D suitable sealant required	400	37	17	SMK20-R <sup>1</sup> / <sub>8</sub> K-PD	SMK20-R <sup>1</sup> / <sub>8</sub> K-VD
	R <sup>1</sup> / <sub>4</sub> K		630	35	17	SMK20-R <sup>1</sup> / <sub>4</sub> K-PD	SMK20-R <sup>1</sup> / <sub>4</sub> K-VD
	<sup>1</sup> / <sub>8</sub> NPT		400	36	17	SMK20- <sup>1</sup> / <sub>8</sub> NPT-PD	SMK20- <sup>1</sup> / <sub>8</sub> NPT-VD
	<sup>1</sup> / <sub>4</sub> NPT		630	35	17	SMK20- <sup>1</sup> / <sub>4</sub> NPT-PD	SMK20- <sup>1</sup> / <sub>4</sub> NPT-VD
	<sup>5</sup> / <sub>16</sub> -24UNF	O-ring Type E	400	38	17	SMK20- <sup>5</sup> / <sub>16</sub> UNF-PE	SMK20- <sup>5</sup> / <sub>16</sub> UNF-VE
	<sup>7</sup> / <sub>16</sub> -20UNF		630	38	17	SMK20- <sup>7</sup> / <sub>16</sub> UNF-PE	SMK20- <sup>7</sup> / <sub>16</sub> UNF-VE
	<sup>1</sup> / <sub>2</sub> -20UNF		630	38	17	SMK20- <sup>1</sup> / <sub>2</sub> UNF-PE	SMK20- <sup>1</sup> / <sub>2</sub> UNF-VE
	<sup>9</sup> / <sub>16</sub> -18UNF		630	37	19	SMK20- <sup>9</sup> / <sub>16</sub> UNF-PE	SMK20- <sup>9</sup> / <sub>16</sub> UNF-VE
	M10x1		630	38	17	SMK20-M10x1-PE	SMK20-M10x1-VE
	M12x1,5		630	37	17	SMK20-M12x1,5-PE	SMK20-M12x1,5-VE
	M14x1,5		630	38	19	SMK20-M14x1,5-PE	SMK20-M14x1,5-VE

For ordering the hexagonal protection cap version please add "-SK" to the order number  
 For ordering the plastic protection cap version please add "-KK" to the order number  
 Other port connections and seals on request

**Test coupling SMK (compression ring fittings acc. to DIN 2353)**


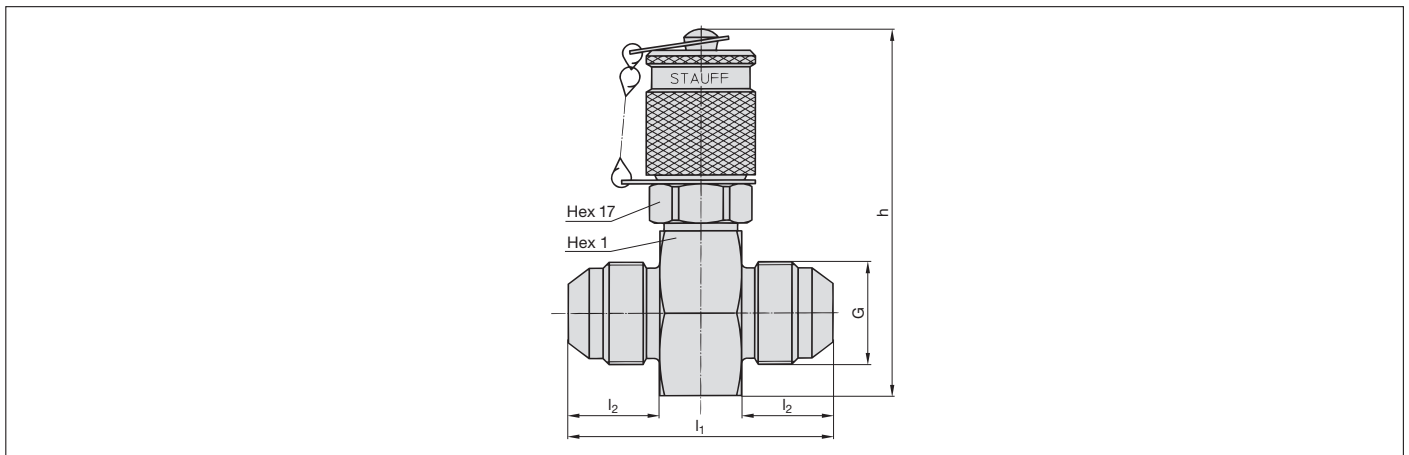
Series	PN bar	Pipe Ø d	~l <sub>1</sub>	l <sub>2</sub>	l <sub>3</sub>	h	Hex 1	Hex 2	Version	Order No.	
										Type G	Type K
L	315	6	51	21	15,5	49	24	14	A	SMK20-06L-PG	SMK20-06L-PK
		8	51	21	15,5	49	24	17	A	SMK20-08L-PG	SMK20-08L-PK
		10	53	23	16,5	49	24	19	A	SMK20-10L-PG	SMK20-10L-PK
		12	53	23	17,5	50,5	27	22	A	SMK20-12L-PG	SMK20-12L-PK
		15	55	25	21	52	30	27	B	SMK20-15L-PG	SMK20-15L-PK-GS
		18	57	24	19,5	53	32	32	B	SMK20-18L-PG	SMK20-18L-PK-GS
	160	22	61	28	20,5	55	36	36	B	SMK20-22L-PG	SMK20-22L-PK-GS
		28	61	28	25	57,5	41	41	B	SMK20-28L-PG	SMK20-28L-PK-GS
		35	69	26	30	60	46	50	B	SMK20-35L-PG	SMK20-35L-PK-GS
		42	71	25	31	64,5	55	60	B	SMK20-42L-PG	SMK20-42L-PK-GS
S	630	6	55	25	14,5	49	24	17	A	SMK20-06S-PG	SMK20-06S-PK
		8	55	25	16,5	49	24	19	A	SMK20-08S-PG	SMK20-08S-PK
		10	57	24	16,5	49	24	22	A	SMK20-10S-PG	SMK20-10S-PK
		12	57	24	17,5	49	24	24	A	SMK20-12S-PG	SMK20-12S-PK
		14	63	27	19,5	50,5	27	27	B	SMK20-14S-PG	SMK20-14S-PK-GS
	400	16	63	26	18	52	30	30	B	SMK20-16S-PG	SMK20-16S-PK-GS
		20	69	26	24	55	36	36	B	SMK20-20S-PG	SMK20-20S-PK-GS
		25	75	27	26	57,5	41	46	B	SMK20-25S-PG	SMK20-25S-PK-GS
		30	81	28	30	60	46	50	B	SMK20-30S-PG	SMK20-30S-PK-GS
		315	38	91	29	34	64,5	55	60	B	SMK20-38S-PG

For ordering FPM seals please replace "P" by "V"  
 For ordering EPDM seals please replace "P" by "E"  
 "GS" as part of order no.: Version B – screwed design

**Test coupling SMK (37° JIC fittings acc. to SAE J514)**


Pipe OD Inch	JIC Size	Thread G	h	Hex 1	Hex 2	Version	Order No.	
							NBR	FPM
1/4	-4	7/16-20 UNF	53	17	17	A	SMK20-JIC1/4-PK	SMK20-JIC1/4-VK
5/16	-5	1/2-20 UNF	53,5	17	17	A	SMK20-JIC5/16-PK	SMK20-JIC5/16-VK
3/8	-6	9/16-18 UNF	55,5	19	17	A	SMK20-JIC3/8-PK	SMK20-JIC3/8-VK
1/2	-8	3/4-16 UNF	56,5	22	19	A	SMK20-JIC1/2-PK	SMK20-JIC1/2-VK
5/8	-10	7/8-14 UNF	60	27	22	A	SMK20-JIC5/8-PK	SMK20-JIC5/8-VK
3/4	-12	1 1/16-12 UN	70,5	32		B	SMK20-JIC3/4-PK-GS	SMK20-JIC3/4-VK-GS
1	-16	1 5/16-12 UN	69	38		B	SMK20-JIC1-PK-GS	SMK20-JIC1-VK-GS
1 1/4	-20	1 5/8-12 UN	73,5	50		B	SMK20-JIC1 1/4-PK-GS	SMK20-JIC1 1/4-VK-GS
1 1/2	-24	1 7/8-12 UN	76	60		B	SMK20-JIC1 1/2-PK-GS	SMK20-JIC1 1/2-VK-GS

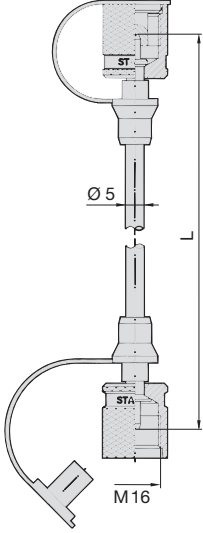
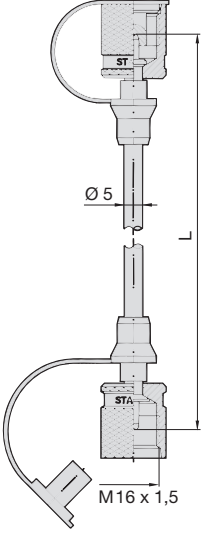
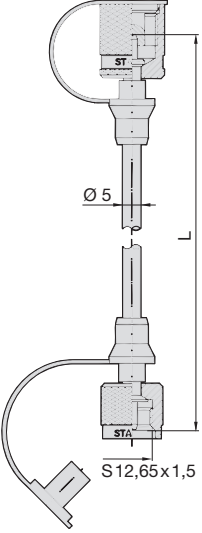
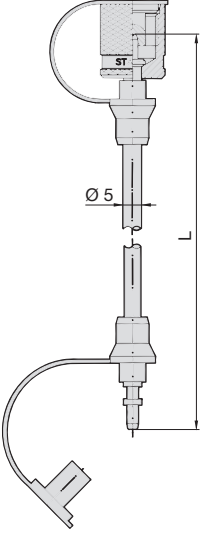
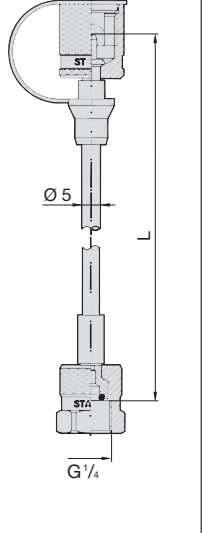
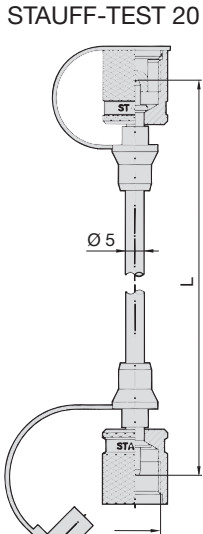
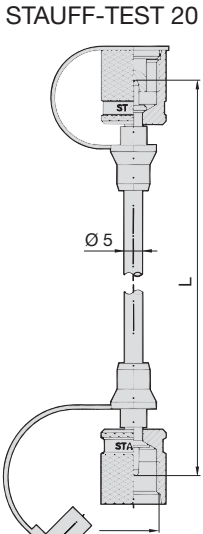
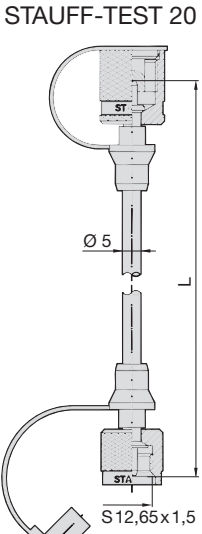
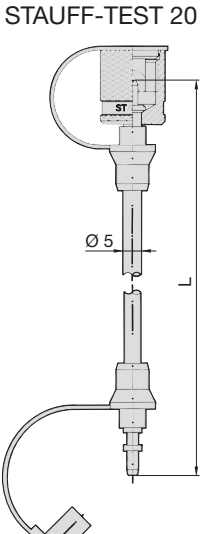
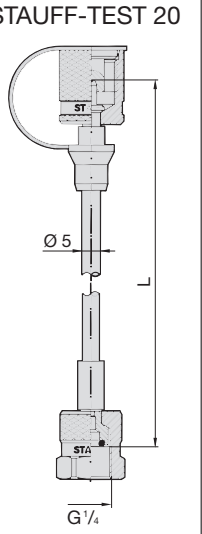
"GS" as part of order no.: Version B – screwed design



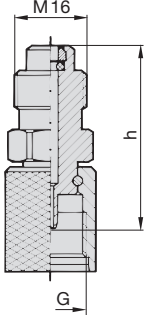
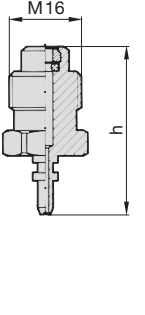
Pipe OD Inch	JIC Size	Thread G	l <sub>1</sub>	l <sub>2</sub>	h	Hex 1	Order No.	
							NBR	FPM
1/4	-4	7/16-20 UNF	43	14	61	24	SMK20-JIC1/4-PG	SMK20-JIC1/4-VG
5/16	-5	1/2-20 UNF	43	14	61	24	SMK20-JIC5/16-PG	SMK20-JIC5/16-VG
3/8	-6	9/16-18 UNF	43	14	61	24	SMK20-JIC3/8-PG	SMK20-JIC3/8-VG
1/2	-8	3/4-16 UNF	48,5	16,5	67	30	SMK20-JIC1/2-PG	SMK20-JIC1/2-VG
5/8	-10	7/8-14 UNF	53,5	19,5	67	30	SMK20-JIC5/8-PG	SMK20-JIC5/8-VG
3/4	-12	1 1/16-12 UN	59	22	73	36	SMK20-JIC3/4-PG	SMK20-JIC3/4-VG
1	-16	1 5/16-12 UN	61	23	78	41	SMK20-JIC1-PG	SMK20-JIC1-VG
1 1/4	-20	1 5/8-12 UN	65,5	24,5	83	46	SMK20-JIC1 1/4-PG	SMK20-JIC1 1/4-VG
1 1/2	-24	1 7/8-12 UN	72	27,5	92	55	SMK20-JIC1 1/2-PG	SMK20-JIC1 1/2-VG



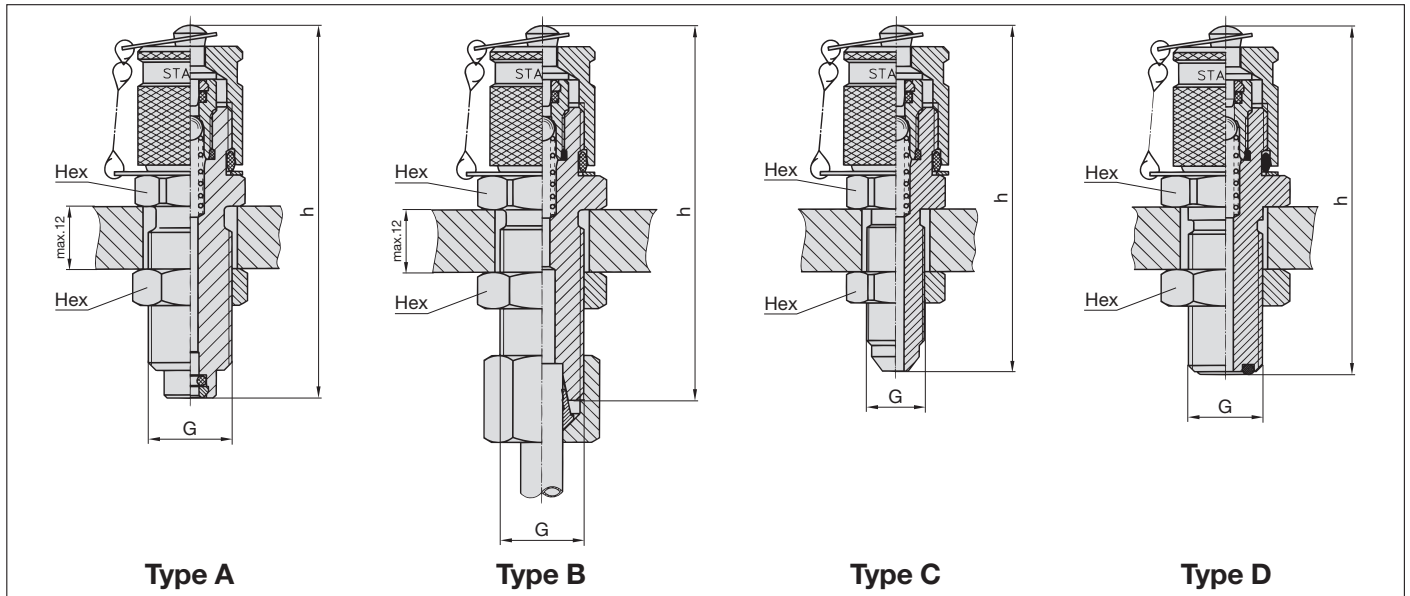
**Test hose SMS** (for gaseous media Type SGS)

Max. working pressure 400 bar  Test hose: Nominal bore 2 mm Minimum bending radius 20 mm  Nominal bore 4 mm also available  Pressure/t° factor: to 0°C 122 % at 30°C 110 % at 50°C 100 % at 80°C 86 % at 100°C 77 %  Hose construction: Hose-core and -cover: PA Reinforcement: Synthetic fibre Burst pressure: 1100 bar	STAUFF-TEST 20/20  	STAUFF-TEST 15/20  	STAUFF-TEST 12/20 <sup>2)</sup>  	STAUFF-TEST 10/20  	STAUFF-TEST 20/M <sup>1</sup> / <sub>4</sub> -P-OR <sup>3)</sup>  
	STAUFF-TEST 20 	STAUFF-TEST 20 	STAUFF-TEST 20 	STAUFF-TEST 20 	STAUFF-TEST 20 
Length L <sup>1)</sup>	Order No.				
200	SMS-20 - 200-A	SMS-15/20 - 200-A	SMS-12/20 - 200-A	SMS-10/20 - 200-A	SMS-20/M <sup>1</sup> / <sub>4</sub> -P-OR - 200-A
400	SMS-20 - 400-A	SMS-15/20 - 400-A	SMS-12/20 - 400-A	SMS-10/20 - 400-A	SMS-20/M <sup>1</sup> / <sub>4</sub> -P-OR - 400-A
630	SMS-20 - 630-A	SMS-15/20 - 630-A	SMS-12/20 - 630-A	SMS-10/20 - 630-A	SMS-20/M <sup>1</sup> / <sub>4</sub> -P-OR - 630-A
800	SMS-20 - 800-A	SMS-15/20 - 800-A	SMS-12/20 - 800-A	SMS-10/20 - 800-A	SMS-20/M <sup>1</sup> / <sub>4</sub> -P-OR - 800-A
1000	SMS-20 - 1000-A	SMS-15/20 - 1000-A	SMS-12/20 - 1000-A	SMS-10/20 - 1000-A	SMS-20/M <sup>1</sup> / <sub>4</sub> -P-OR - 1000-A
1500	SMS-20 - 1500-A	SMS-15/20 - 1500-A	SMS-12/20 - 1500-A	SMS-10/20 - 1500-A	SMS-20/M <sup>1</sup> / <sub>4</sub> -P-OR - 1500-A
2000	SMS-20 - 2000-A	SMS-15/20 - 2000-A	SMS-12/20 - 2000-A	SMS-10/20 - 2000-A	SMS-20/M <sup>1</sup> / <sub>4</sub> -P-OR - 2000-A
2500	SMS-20 - 2500-A	SMS-15/20 - 2500-A	SMS-12/20 - 2500-A	SMS-10/20 - 2500-A	SMS-20/M <sup>1</sup> / <sub>4</sub> -P-OR - 2500-A
3200	SMS-20 - 3200-A	SMS-15/20 - 3200-A	SMS-12/20 - 3200-A	SMS-10/20 - 3200-A	SMS-20/M <sup>1</sup> / <sub>4</sub> -P-OR - 3200-A
4000	SMS-20 - 4000-A	SMS-15/20 - 4000-A	SMS-12/20 - 4000-A	SMS-10/20 - 4000-A	SMS-20/M <sup>1</sup> / <sub>4</sub> -P-OR - 4000-A
<sup>1)</sup> Bending protection and other lengths on request		<sup>2)</sup> Special thread: buttress thread S 12,65 x 1,5		<sup>3)</sup> Gauge adaptor 1/4 NPT, G 1/2 and 1/2 NPT on request	

**Adaptor SAD**

		Thread G	h	Type	Order No.	
					NBR	FPM
<b>Type A</b>	<b>Type B</b>	M16x1,5	39	A	SAD20/15-P	SAD20/15-V
		S12 <sup>1)</sup>	39	A	SAD20/12-P	SAD20/12-V
		Plug in	37	B	SAD20/10-P	SAD20/10-V
<sup>1)</sup> Special thread: buttress thread S 12,65 x 1,5						



**Bulkhead SSK** (for gaseous media Type SSKK)


Thread G	h	Hex	Type	Order No.	
				NBR	FPM
M16	72	19	A	SSK20-P	SSK20-V
M14x1,5 <sup>1)</sup>	72	19	B	SSK20/08L-P	SSK20/08L-V
M16x1,5 <sup>1)</sup>	72	22	B	SSK20/08S-P	SSK20/08S-V
M18x1,5 <sup>1)</sup>	72	22	B	SSK20/12L-P	SSK20/12L-V
7/16-20UNF <sup>2)</sup>	66	17	C	SSK20/J7/16UNF-MV-P	SSK20/J7/16UNF-MV-V
9/16-18UNF <sup>3)</sup>	67	22	D	SSK20-04-ORFS-P	SSK20-04-ORFS-V
11/16-16UN <sup>3)</sup>	72	27	D	SSK20-06-ORFS-P	SSK20-06-ORFS-V
13/16-16UNF <sup>3)</sup>	75	30	D	SSK20-08-ORFS-P	SSK20-08-ORFS-V

<sup>1)</sup> Compression ring assembly 08L/08S/12L acc. to DIN 2353

<sup>2)</sup> JIC cone fitting acc. to SAE J514

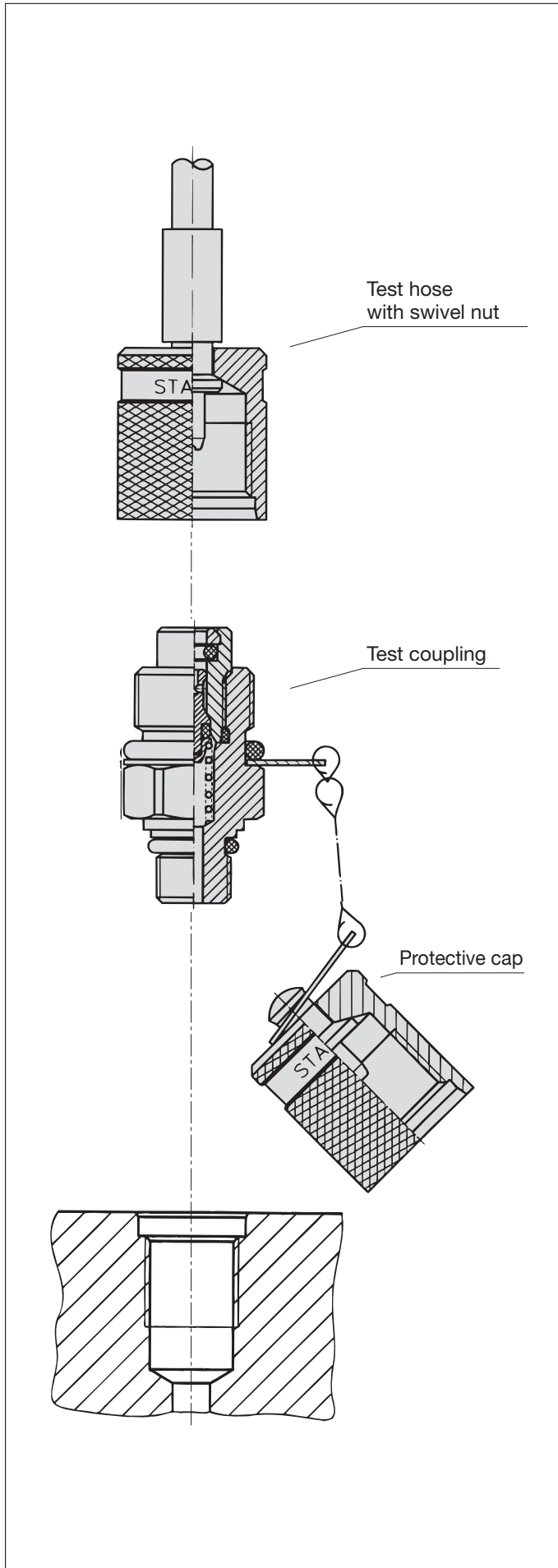
<sup>3)</sup> O-ring face seal acc. to SAE J1453

**Gauge adaptor SMA**

Thread G	h	Hex	Order no.	
			NBR	FPM
G <sup>1</sup> / <sub>4</sub>	54	19	SMA20-G <sup>1</sup> / <sub>4</sub> -P-OR	SMA20-G <sup>1</sup> / <sub>4</sub> -V-OR
G <sup>1</sup> / <sub>2</sub>	64	27	SMA20-G <sup>1</sup> / <sub>2</sub> -P-OR	SMA20-G <sup>1</sup> / <sub>2</sub> -V-OR
1/4NPT	54	19	SMA20-1/4NPT-P	SMA20-1/4-NPT-V
1/2NPT	64	27	SMA20-1/2NPT-P	SMA20-1/2-NPT-V
9/16-18UNF	57	19	SMA20-9/16UNF-P	SMA20-9/16-NPT-V
Snubber on request				

**Direct gauge adaptor SMD**

Thread G	h	Hex	Order no.	
			NBR	FPM
G <sup>1</sup> / <sub>4</sub>	41	19	SMD20-G <sup>1</sup> / <sub>4</sub> -P-OR	SMD20-G <sup>1</sup> / <sub>4</sub> -V-OR
G <sup>1</sup> / <sub>2</sub>	51	27	SMD20-G <sup>1</sup> / <sub>2</sub> -P-OR	SMD20-G <sup>1</sup> / <sub>2</sub> -V-OR
1/4NPT	41	19	SMD20-1/4NPT	SMD20-1/4NPT
1/2NPT	51	27	SMD20-1/2NPT	SMD20-1/2NPT
7/16-20UNF	41	19	SMD20-7/16UNF	SMD20-7/16UNF
Snubber on request				



### Fast coupling for:

- Monitoring and control of pressure
- Venting
- Sampling in high- and low-pressure systems
- Filling of accumulators (special filling-version)

### Advantages:

- Coupling at system pressure level
- Leakproof connection before **poppet valve** is open
- Simple connection to measuring, control and switching devices
- Self locking metal guard cap

### Working pressure:

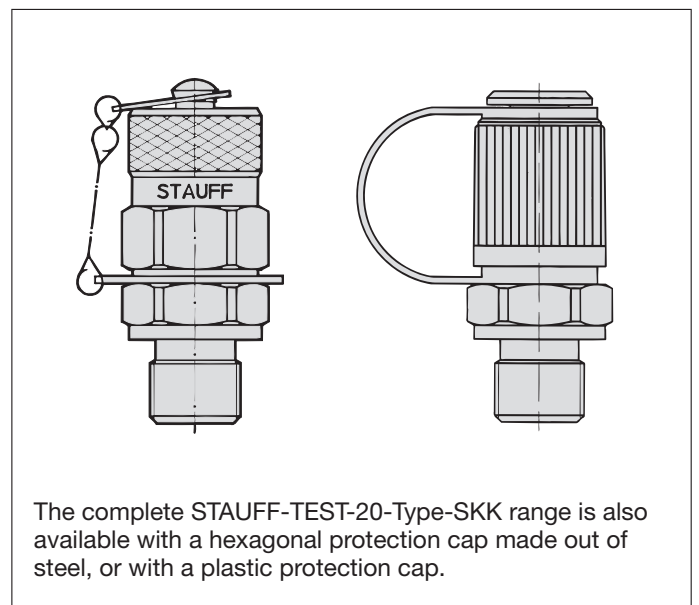
- Max. working pressure 630 bar  
For SKK style G and K the recommended working pressure of fitting manufacturer has to be applied
- Joining under pressure up to 400 bar max.

### Materials:

- Metal parts: Steel zinc-plated and yellow chromated, Stainless Steel on request
- Seals:  
P = NBR (Temperature range -20° C to +100° C)  
(Internal seals made of FPM (even at the standard NBR-type))  
V = FPM (Temperature range -20° C to +200° C)  
E = EPDM Ethylene Propylene (for Break Fluid, Temperature range -40° C to +150° C)
- Hose: Polyamide (Temperature range -35° C to +100° C)
- Vibration safety O-ring made of NBR (standard)

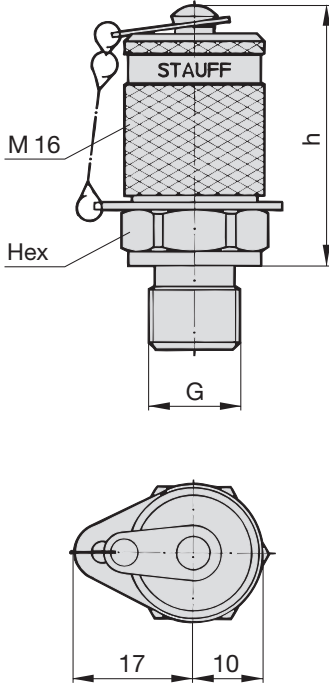
### Media:

- Suitable for hydraulic oils and other mineral oil based fluids (Please pay attention to the sealing materials used!)
- For use in conjunction with other liquid or gaseous media please consult STAUFF
- In case of ultimate tightness requirements for gaseous media, a special Gas-type is available

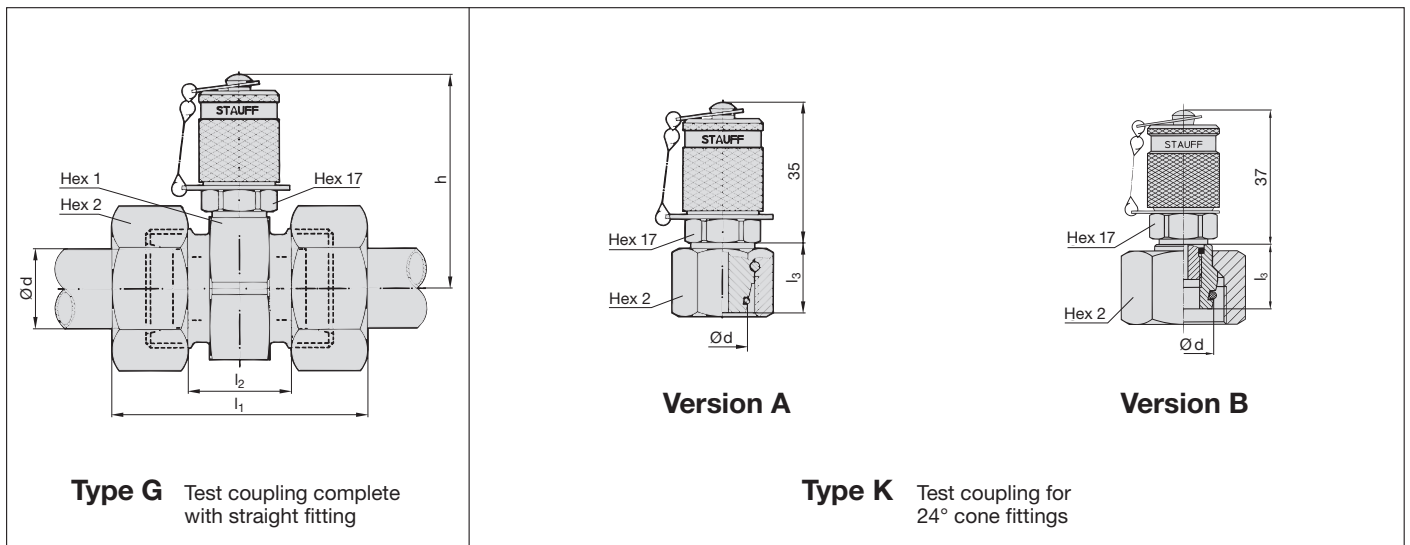


The complete STAUFF-TEST-20-Type-SKK range is also available with a hexagonal protection cap made out of steel, or with a plastic protection cap.

**Test coupling with protective cap**

	Thread G	Seal	Working pressure bar	h	Hex	Order No.	
						NBR	FPM
	M8x1	O-ring Type A	250	38	17	SKK20-M8x1-PA	SKK20-M8x1-VA
	M10x1		630	38	17	SKK20-M10x1-PA	SKK20-M10x1-VA
	M12x1,5	Metal joint Type B	630	37	17	SKK20-M12x1,5-PB	SKK20-M12x1,5-VB
	M14x1,5		630	37	19	SKK20-M14x1,5-PB	SKK20-M14x1,5-VB
	M16x1,5		630	37	22	SKK20-M16x1,5-PB	SKK20-M16x1,5-VB
	G <sup>1</sup> / <sub>4</sub>		630	37	19	SKK20-G <sup>1</sup> / <sub>4</sub> -PB	SKK20-G <sup>1</sup> / <sub>4</sub> -VB
	G <sup>3</sup> / <sub>8</sub>		630	37	22	SKK20-G <sup>3</sup> / <sub>8</sub> -PB	SKK20-G <sup>3</sup> / <sub>8</sub> -VB
	M10x1		Elastomeric seal Type C	400	39	17	SKK20-M10x1-PC
	M12x1,5	630		37	17	SKK20-M12x1,5-PC	SKK20-M12x1,5-VC
	M14x1,5	630		37	19	SKK20-M14x1,5-PC	SKK20-M14x1,5-VC
	M16x1,5	630		37	22	SKK20-M16x1,5-PC	SKK20-M16x1,5-VC
	G <sup>1</sup> / <sub>8</sub>	400		39	17	SKK20-G <sup>1</sup> / <sub>8</sub> -PC	SKK20-G <sup>1</sup> / <sub>8</sub> -VC
	G <sup>1</sup> / <sub>4</sub>	630		37	19	SKK20-G <sup>1</sup> / <sub>4</sub> -PC	SKK20-G <sup>1</sup> / <sub>4</sub> -VC
	G <sup>3</sup> / <sub>8</sub>	630		37	22	SKK20-G <sup>3</sup> / <sub>8</sub> -PC	SKK20-G <sup>3</sup> / <sub>8</sub> -VC
	G <sup>1</sup> / <sub>2</sub>	630		39	27	SKK20-G <sup>1</sup> / <sub>2</sub> -PC	SKK20-G <sup>1</sup> / <sub>2</sub> -VC
	R <sup>1</sup> / <sub>8</sub> K	Taper Type D suitable sealant required	400	37	17	SKK20-R <sup>1</sup> / <sub>8</sub> K-PD	SKK20-R <sup>1</sup> / <sub>8</sub> K-VD
	R <sup>1</sup> / <sub>4</sub> K		630	35	17	SKK20-R <sup>1</sup> / <sub>4</sub> K-PD	SKK20-R <sup>1</sup> / <sub>4</sub> K-VD
	<sup>1</sup> / <sub>8</sub> NPT		400	36	17	SKK20- <sup>1</sup> / <sub>8</sub> NPT-PD	SKK20- <sup>1</sup> / <sub>8</sub> NPT-VD
	<sup>1</sup> / <sub>4</sub> NPT		630	35	17	SKK20- <sup>1</sup> / <sub>4</sub> NPT-PD	SKK20- <sup>1</sup> / <sub>4</sub> NPT-VD
	<sup>5</sup> / <sub>16</sub> -24UNF	O-ring Type E	400	38	17	SKK20- <sup>5</sup> / <sub>16</sub> UNF-PE	SKK20- <sup>5</sup> / <sub>16</sub> UNF-VE
	<sup>7</sup> / <sub>16</sub> -20UNF		630	38	17	SKK20- <sup>7</sup> / <sub>16</sub> UNF-PE	SKK20- <sup>7</sup> / <sub>16</sub> UNF-VE
	<sup>1</sup> / <sub>2</sub> -20UNF		630	38	17	SKK20- <sup>1</sup> / <sub>2</sub> UNF-PE	SKK20- <sup>1</sup> / <sub>2</sub> UNF-VE
	<sup>9</sup> / <sub>16</sub> -18UNF		630	37	19	SKK20- <sup>9</sup> / <sub>16</sub> UNF-PE	SKK20- <sup>9</sup> / <sub>16</sub> UNF-VE
	M12x1,5		630	37	17	SKK20-M12x1,5-PE	SKK20-M12x1,5-VE
	M14x1,5		630	38	19	SKK20-M14x1,5-PE	SKK20-M14x1,5-VE

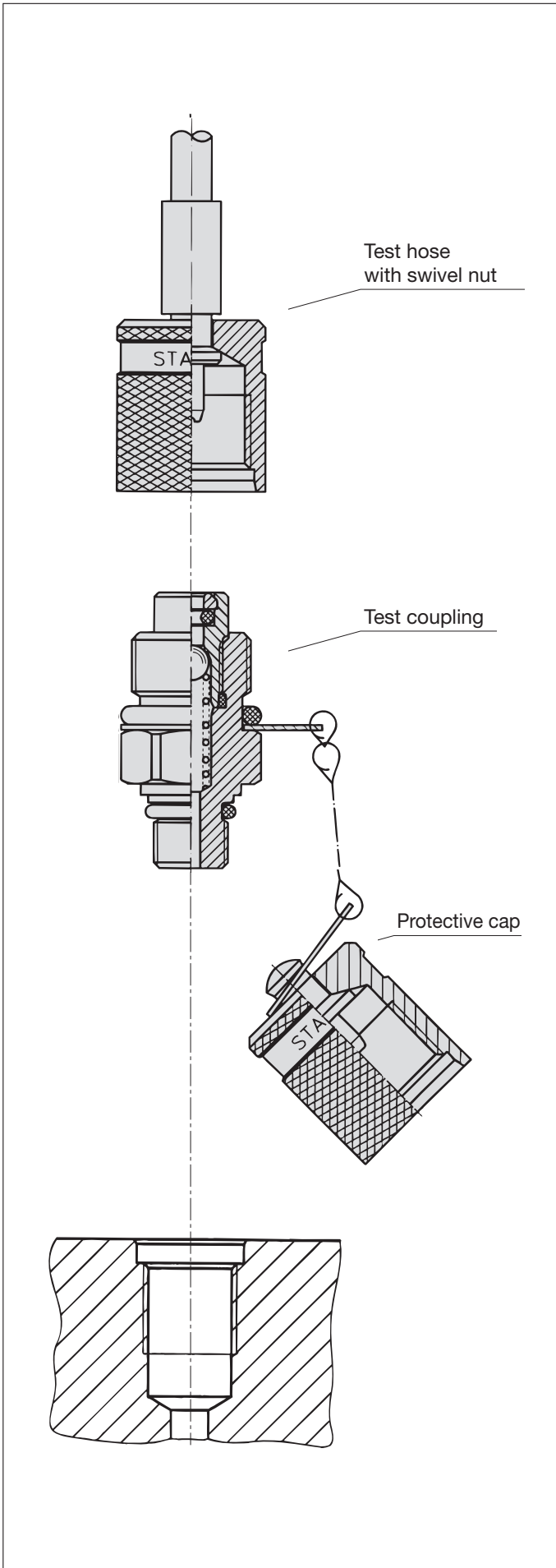
For ordering the hexagonal protection cap version please add "-SK" to the order number  
 For ordering the plastic protection cap version please add "-KK" to the order number  
 Other port connections and seals on request

**Test coupling SKK (compression ring fittings acc. to DIN 2353)**

**Type G** Test coupling complete with straight fitting

**Type K** Test coupling for 24° cone fittings

Series	PN bar	Pipe Ø d	~l <sub>1</sub>	l <sub>2</sub>	l <sub>3</sub>	h	Hex 1	Hex 2	Version	Order No.	
										Type G	Type K
L	315	6	51	21	15,5	49	24	14	A	SKK20-06L-PG	SKK20-06L-PK
		8	51	21	15,5	49	24	17	A	SKK20-08L-PG	SKK20-08L-PK
		10	53	23	16,5	49	24	19	A	SKK20-10L-PG	SKK20-10L-PK
		12	53	23	17,5	50,5	27	22	A	SKK20-12L-PG	SKK20-12L-PK
		15	55	25	21	52	30	27	B	SKK20-15L-PG	SKK20-15L-PK-GS
		18	57	24	19,5	53	32	32	B	SKK20-18L-PG	SKK20-18L-PK-GS
	160	22	61	28	20,5	55	36	36	B	SKK20-22L-PG	SKK20-22L-PK-GS
		28	61	28	25	57,5	41	41	B	SKK20-28L-PG	SKK20-28L-PK-GS
		35	69	26	30	60	46	50	B	SKK20-35L-PG	SKK20-35L-PK-GS
		42	71	25	31	64,5	55	60	B	SKK20-42L-PG	SKK20-42L-PK-GS
S	630	6	55	25	14,5	49	24	17	A	SKK20-06S-PG	SKK20-06S-PK
		8	55	25	16,5	49	24	19	A	SKK20-08S-PG	SKK20-08S-PK
		10	57	24	16,5	49	24	22	A	SKK20-10S-PG	SKK20-10S-PK
		12	57	24	17,5	49	24	24	A	SKK20-12S-PG	SKK20-12S-PK
		14	63	27	19,5	50,5	27	27	B	SKK20-14S-PG	SKK20-14S-PK-GS
	400	16	63	26	18	52	30	30	B	SKK20-16S-PG	SKK20-16S-PK-GS
		20	69	26	24	55	36	36	B	SKK20-20S-PG	SKK20-20S-PK-GS
		25	75	27	26	57,5	41	46	B	SKK20-25S-PG	SKK20-25S-PK-GS
		30	81	28	30	60	46	50	B	SKK20-30S-PG	SKK20-30S-PK-GS
		315	38	91	29	34	64,5	55	60	B	SKK20-38S-PG

For ordering FPM seals please replace "P" by "V"  
 For ordering EPDM seals please replace "P" by "E"  
 "GS" as part of order no.: Version B – screwed design



### Fast coupling for:

- Monitoring and control of pressure
- Venting
- Sampling in high- and low-pressure systems

### Advantages:

- Coupling at system pressure level
- Leakproof connection before **ball valve** is open
- Simple connection to measuring, control and switching devices
- Self locking metal guard cap

### Working pressure:

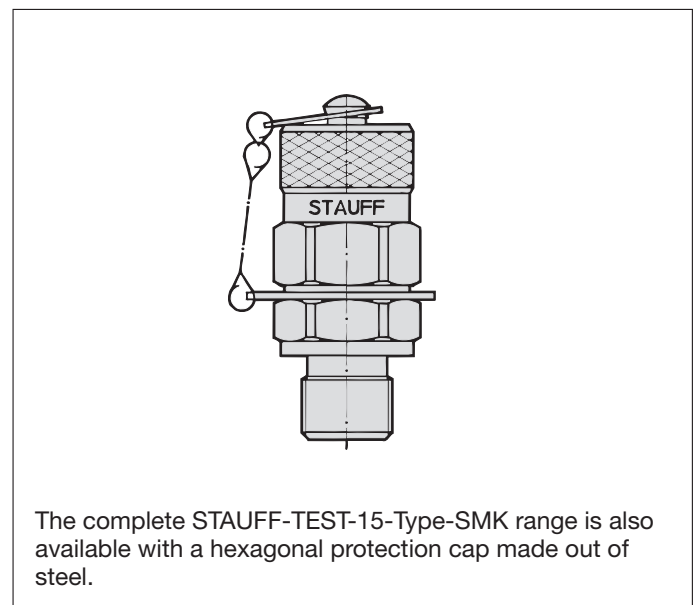
- Max. working pressure 630 bar  
For SMK style G and K the recommended working pressure of fitting manufacturer has to be applied
- Joining under pressure up to 630 bar max.

### Materials:

- Metal parts: Steel zinc-plated and olive-colored chromated, Stainless Steel on request
- Ball: Stainless Steel
- Seals:
  - P = NBR (Temperature range -20° C to +100° C)  
(Internal seals made of FPM (even at the standard NBR-type))
  - V = FPM (Temperature range -20° C to +200° C)
  - E = EPDM Ethylene Propylene (for Break Fluid, Temperature range -40° C to +150° C)
- Hose: Polyamide (Temperature range -35° C to +100° C)
- Vibration safety O-ring made of NBR (standard)

### Media:

- Suitable for hydraulic oils and other mineral oil based fluids (Please pay attention to the sealing materials used!)
- For use in conjunction with other liquid media please consult STAUFF



**Test coupling with protective cap**

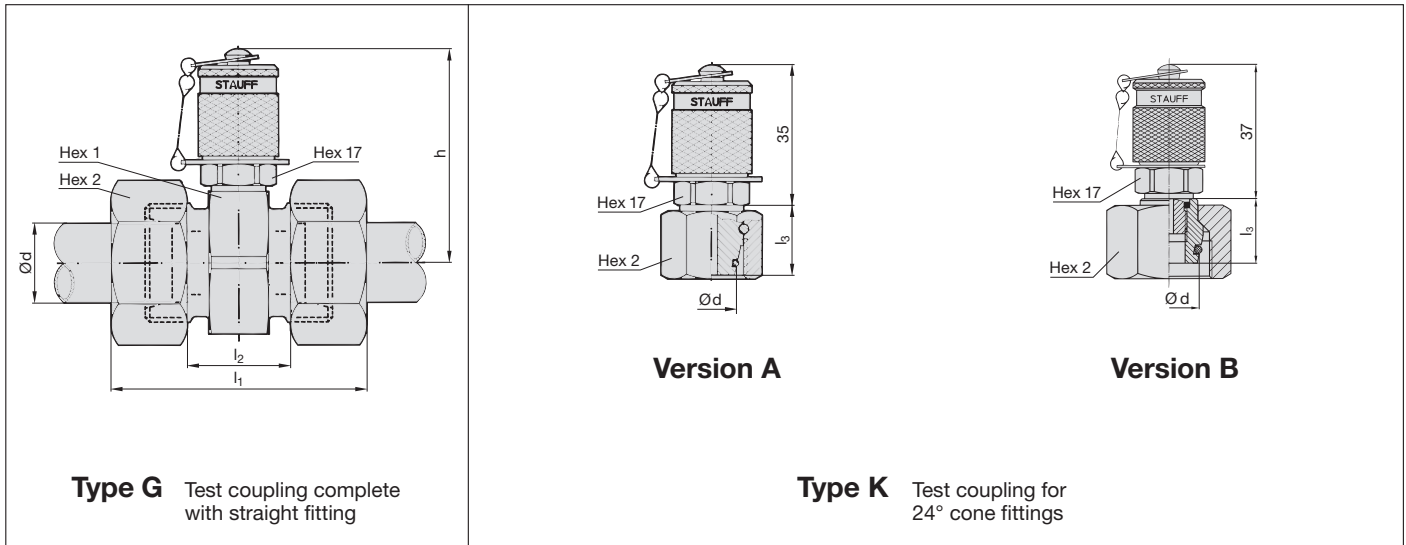
	Thread G	Seal	Working pressure bar	h	Hex	Order No.		
						NBR	FPM	
	M10x1	O-ring Type A	630	38	17	SMK15-M10x1-PA	SMK15-M10x1-VA	
	M14x1,5	Metal joint Type B	630	37	19	SMK15-M14x1,5-PB	SMK15-M14x1,5-VB	
	M16x1,5		630	37	22	SMK15-M16x1,5-PB	SMK15-M16x1,5-VB	
	G <sup>1</sup> / <sub>8</sub>		400	39	17	SMK15-G <sup>1</sup> / <sub>8</sub> -PB	SMK15-G <sup>1</sup> / <sub>8</sub> -VB	
	G <sup>1</sup> / <sub>4</sub>		630	37	19	SMK15-G <sup>1</sup> / <sub>4</sub> -PB	SMK15-G <sup>1</sup> / <sub>4</sub> -VB	
	G <sup>3</sup> / <sub>8</sub>		630	37	22	SMK15-G <sup>3</sup> / <sub>8</sub> -PB	SMK15-G <sup>3</sup> / <sub>8</sub> -VB	
	M12x1,5		Elastomeric seal Type C	630	37	17	SMK15-M12x1,5-PC	SMK15-M12x1,5-VC
	M14x1,5	630		37	19	SMK15-M14x1,5-PC	SMK15-M14x1,5-VC	
	M16x1,5	630		37	22	SMK15-M16x1,5-PC	SMK15-M16x1,5-VC	
	G <sup>1</sup> / <sub>8</sub>	400		39	17	SMK15-G <sup>1</sup> / <sub>8</sub> -PC	SMK15-G <sup>1</sup> / <sub>8</sub> -VC	
	G <sup>1</sup> / <sub>4</sub>	630		37	19	SMK15-G <sup>1</sup> / <sub>4</sub> -PC	SMK15-G <sup>1</sup> / <sub>4</sub> -VC	
	R <sup>1</sup> / <sub>4</sub> K	Taper Type D suitable sealant required		630	35	17	SMK15-R <sup>1</sup> / <sub>4</sub> K-PD	SMK15-R <sup>1</sup> / <sub>4</sub> K-VD
	1/8 NPT		400	36	17	SMK15-1/8NPT-PD	SMK15-1/8NPT-VD	
	1/4 NPT		630	35	17	SMK15-1/4NPT-PD	SMK15-1/4NPT-VD	
		7/16-20UNF	O-ring Type E	630	38	17	SMK15-7/16UNF-PE	SMK15-7/16UNF-VE
		9/16-18UNF		630	37	19	SMK15-9/16UNF-PE	SMK15-9/16UNF-VE
		M14x1,5		630	38	19	SMK15-M14x1,5-PE	SMK15-M14x1,5-VE

For ordering the hexagonal protection cap version please add "-SK" to the order number  
Other port connections and seals on request

**Adaptor SAD**

	Thread G	h	Type	Order No.	
				NBR	FPM
<p><b>Type A</b></p>	M16x2	39	A	SAD15/20-P	SAD15/20-V
	S12 <sup>1)</sup>	39	A	SAD15/12-P	SAD15/12-V
	Plug in	37	B	SAD15/10-P	SAD15/10-V
<p><sup>1)</sup> Special thread: buttress thread S12,65 x 1,5</p>					

**Test coupling SMK (compression ring fittings acc. to DIN 2353)**



**Type G** Test coupling complete with straight fitting

**Type K** Test coupling for 24° cone fittings

Series	PN bar	Pipe Ø d	~l <sub>1</sub>	l <sub>2</sub>	l <sub>3</sub>	h	Hex 1	Hex 2	Version	Order No.	
										Type G	Type K
L	315	6	51	21	15,5	49	24	14	A	SMK15-06L-PG	SMK15-06L-PK
		8	51	21	15,5	49	24	17	A	SMK15-08L-PG	SMK15-08L-PK
		10	53	23	16,5	49	24	19	A	SMK15-10L-PG	SMK15-10L-PK
		12	53	23	17,5	50,5	27	22	A	SMK15-12L-PG	SMK15-12L-PK
		15	55	25	21	52	30	27	B	SMK15-15L-PG	SMK15-15L-PK-GS
		18	57	24	19,5	53	32	32	B	SMK15-18L-PG	SMK15-18L-PK-GS
	160	22	61	28	20,5	55	36	36	B	SMK15-22L-PG	SMK15-22L-PK-GS
		28	61	28	25	57,5	41	41	B	SMK15-28L-PG	SMK15-28L-PK-GS
		35	69	26	30	60	46	50	B	SMK15-35L-PG	SMK15-35L-PK-GS
		42	71	25	31	64,5	55	60	B	SMK15-42L-PG	SMK15-42L-PK-GS
S	630	6	55	25	14,5	49	24	17	A	SMK15-06S-PG	SMK15-06S-PK
		8	55	25	16,5	49	24	19	A	SMK15-08S-PG	SMK15-08S-PK
		10	57	24	16,5	49	24	22	A	SMK15-10S-PG	SMK15-10S-PK
		12	57	24	17,5	49	24	24	A	SMK15-12S-PG	SMK15-12S-PK
		14	63	27	19,5	50,5	27	27	B	SMK15-14S-PG	SMK15-14S-PK-GS
	400	16	63	26	18	52	30	30	B	SMK15-16S-PG	SMK15-16S-PK-GS
		20	69	26	24	55	36	36	B	SMK15-20S-PG	SMK15-20S-PK-GS
		25	75	27	26	57,5	41	46	B	SMK15-25S-PG	SMK15-25S-PK-GS
		30	81	28	30	60	46	50	B	SMK15-30S-PG	SMK15-30S-PK-GS
		315	38	91	29	34	64,5	55	60	B	SMK15-38S-PG

For ordering FPM seals please replace "P" by "V"  
 For ordering EPDM seals please replace "P" by "E"  
 "GS" as part of order no.: Version B – screwed design



**Test hose SMS** (for gaseous media Type SGS)

<p>Max. working pressure 630 bar</p> <p>Test hose: Nominal bore 2 mm Minimum bending radius 20 mm</p> <p>Pressure/t° factor: to 0°C 122 % at 30°C 110 % at 50°C 100 % at 80°C 86 % at 100°C 77 %</p> <p>Hose construction: Hose-core and -cover: PA Reinforcement: Synthetic fibre Burst pressure: 1900 bar</p>	STAUFF-TEST 15/15	STAUFF-TEST15/20	STAUFF-TEST 12/15 <sup>2)</sup>	STAUFF-TEST 15/M <sup>1</sup> / <sub>4</sub> -P-OR <sup>3)</sup>
	<p>STAUFF-TEST 15</p>	<p>STAUFF-TEST 15</p>	<p>STAUFF-TEST 15</p>	<p>STAUFF-TEST 15</p>
Length L <sup>1)</sup>	Order No.			
200	SMS-15 – 200-B	SMS-15/20 – 200-B	SMS-12/15 – 200-B	SMS-15/M <sup>1</sup> / <sub>4</sub> -P-OR – 200-B
400	SMS-15 – 400-B	SMS-15/20 – 400-B	SMS-12/15 – 400-B	SMS-15/M <sup>1</sup> / <sub>4</sub> -P-OR – 400-B
630	SMS-15 – 630-B	SMS-15/20 – 630-B	SMS-12/15 – 630-B	SMS-15/M <sup>1</sup> / <sub>4</sub> -P-OR – 630-B
800	SMS-15 – 800-B	SMS-15/20 – 800-B	SMS-12/15 – 800-B	SMS-15/M <sup>1</sup> / <sub>4</sub> -P-OR – 800-B
1000	SMS-15 – 1000-B	SMS-15/20 – 1000-B	SMS-12/15 – 1000-B	SMS-15/M <sup>1</sup> / <sub>4</sub> -P-OR – 1000-B
1500	SMS-15 – 1500-B	SMS-15/20 – 1500-B	SMS-12/15 – 1500-B	SMS-15/M <sup>1</sup> / <sub>4</sub> -P-OR – 1500-B
2000	SMS-15 – 2000-B	SMS-15/20 – 2000-B	SMS-12/15 – 2000-B	SMS-15/M <sup>1</sup> / <sub>4</sub> -P-OR – 2000-B
2500	SMS-15 – 2500-B	SMS-15/20 – 2500-B	SMS-12/15 – 2500-B	SMS-15/M <sup>1</sup> / <sub>4</sub> -P-OR – 2500-B
3200	SMS-15 – 3200-B	SMS-15/20 – 3200-B	SMS-12/15 – 3200-B	SMS-15/M <sup>1</sup> / <sub>4</sub> -P-OR – 3200-B
4000	SMS-15 – 4000-B	SMS-15/20 – 4000-B	SMS-12/15 – 4000-B	SMS-15/M <sup>1</sup> / <sub>4</sub> -P-OR – 4000-B
<sup>1)</sup> Bending protection and other lengths on request	<sup>2)</sup> Special thread: buttress thread S 12,65 x 1,5		<sup>3)</sup> Gauge adaptor 1/4 NPT, G 1/2 and 1/2 NPT on request	

**Bulkhead SSK** (for gaseous media Type SSKK)

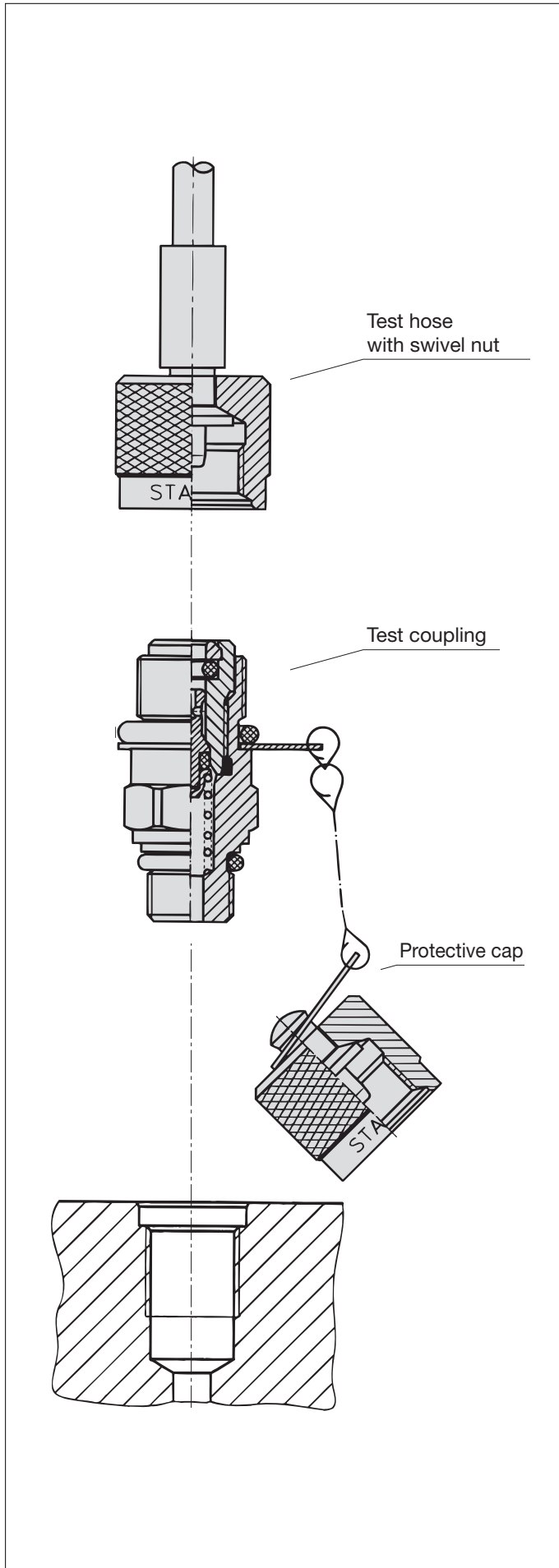
	Thread G	h	Type	Order No.	
				NBR	FPM
	M16 x 1,5	72	A	SSK 15-P	SSK 15-V
	M16 x 1,5 <sup>1)</sup>	72	B	SSK 15/08S-P	SSK 15/08S-V
<sup>1)</sup> Compression ring assembly 08S acc. to DIN 2353					

**Gauge adaptor SMA**

	Thread G	h	Hex	Order No.	
				NBR	FPM
	G 1/4	54	19	SMA 15 - G 1/4 - P-OR	SMA 15 - G 1/4 - V-OR
	G 1/2	64	27	SMA 15 - G 1/2 - P-OR	SMA 15 - G 1/2 - V-OR
	1/4 NPT	54	19	SMA 15 - 1/4 NPT-P	SMA 15 - 1/4 NPT-V
	1/2 NPT	64	27	SMA 15 - 1/2 NPT-P	SMA 15 - 1/2 NPT-V
Snubber on request					

**Direct gauge adaptor SMD**

	Thread G	h	Hex	Order No.	
				NBR	FPM
	G 1/4	41	19	SMD 15 - G 1/4 - P-OR	SMD 15 - G 1/4 - V-OR
	G 1/2	51	27	SMD 15 - G 1/2 - P-OR	SMD 15 - G 1/2 - V-OR
	1/4 NPT	41	19	SMD 15 - 1/4 NPT	SMD 15 - 1/4 NPT
	1/2 NPT	51	27	SMD 15 - 1/2 NPT	SMD 15 - 1/2 NPT
Snubber on request					



### Fast coupling for:

- Monitoring and control of pressure
- Venting
- Sampling in high- and low-pressure systems
- Filling of accumulators (special filling-version)

### Advantages:

- Coupling at system pressure level
- Leakproof connection before **poppet valve** is open
- Simple connection to measuring, control and switching devices
- Self locking metal guard cap

### Working pressure:

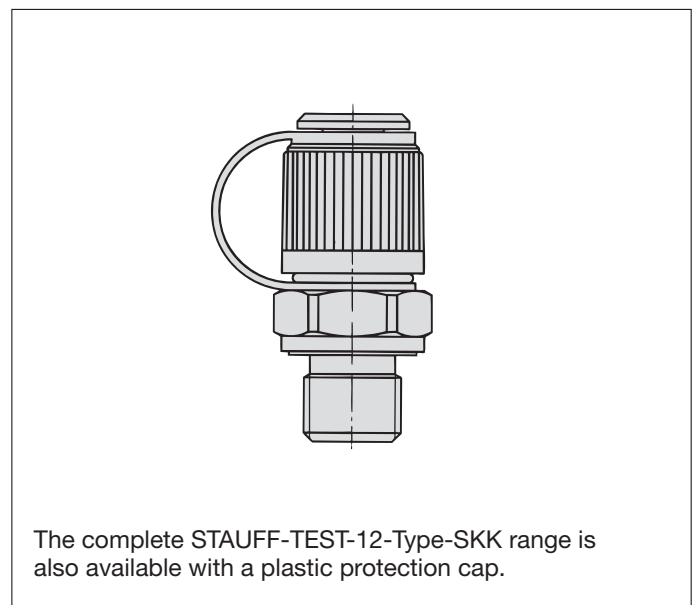
- Max. working pressure 630 bar  
For SKK style G and K the recommended working pressure of fitting manufacturer has to be applied
- Joining under pressure up to 400 bar max.

### Materials:

- Metal parts: Steel zinc-plated and yellow chromated, Stainless Steel on request
- Seals:  
P = NBR (Temperature range -20° C to +100° C)  
(Internal seals made of FPM (even at the standard NBR-type))  
V = FPM (Temperature range -20° C to +200° C)  
E = EPDM Ethylene Propylene (for Break Fluid, Temperature range -40° C to +150° C)
- Hose: Polyamide (Temperature range -35° C to +100° C)
- Vibration safety O-ring made of NBR (standard)

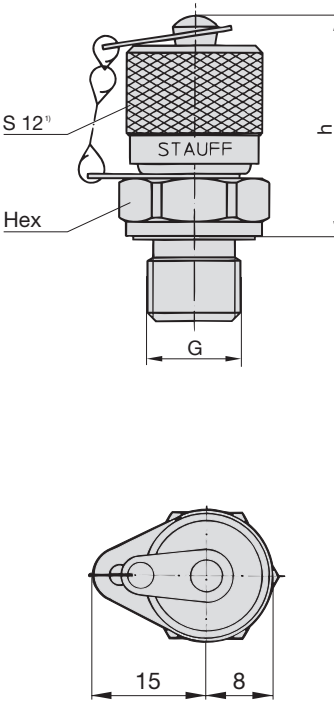
### Media:

- Suitable for hydraulic oils and other mineral oil based fluids (Please pay attention to the sealing materials used!)
- For use in conjunction with other liquid or gaseous media please consult STAUFF
- In case of ultimate tightness requirements for gaseous media special Gas-type available



The complete STAUFF-TEST-12-Type-SKK range is also available with a plastic protection cap.

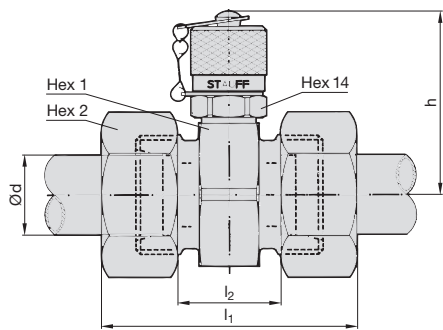
**Test coupling with protective cap**

	Thread G	Seal	Working pressure bar	h	Hex	Order No.	
						NBR	FPM
	M8x1	O-ring Type A	250	38	14	SKK12-M8x1-PA	SKK12-M8x1-VA
	M10x1		630	35	14	SKK12-M10x1-PA	SKK12-M10x1-VA
	M12x1,5	Metal joint Type B	630	31	17	SKK12-M12x1,5-PB	SKK12-M12x1,5-VB
	M14x1,5		630	31	19	SKK12-M14x1,5-PB	SKK12-M14x1,5-VB
	M16x1,5		630	31	22	SKK12-M16x1,5-PB	SKK12-M16x1,5-VB
	G <sup>1</sup> / <sub>4</sub>		630	30	19	SKK12-G <sup>1</sup> / <sub>4</sub> -PB	SKK12-G <sup>1</sup> / <sub>4</sub> -VB
	G <sup>3</sup> / <sub>8</sub>		630	31	22	SKK12-G <sup>3</sup> / <sub>8</sub> -PB	SKK12-G <sup>3</sup> / <sub>8</sub> -VB
	M12x1,5	Elastomeric seal Type C	630	31	17	SKK12-M12x1,5-PC	SKK12-M12x1,5-VC
	M14x1,5		630	31	19	SKK12-M14x1,5-PC	SKK12-M14x1,5-VC
	G <sup>1</sup> / <sub>8</sub>		400	40	14	SKK12-G <sup>1</sup> / <sub>8</sub> -PC	SKK12-G <sup>1</sup> / <sub>8</sub> -VC
G <sup>1</sup> / <sub>4</sub>	630		31	19	SKK12-G <sup>1</sup> / <sub>4</sub> -PC	SKK12-G <sup>1</sup> / <sub>4</sub> -VC	
R <sup>1</sup> / <sub>8</sub> K	Taper Type D suitable sealant required	400	33	14	SKK12-R <sup>1</sup> / <sub>8</sub> K-PD	SKK12-R <sup>1</sup> / <sub>8</sub> K-VD	
R <sup>1</sup> / <sub>4</sub> K		630	30	14	SKK12-R <sup>1</sup> / <sub>4</sub> K-PD	SKK12-R <sup>1</sup> / <sub>4</sub> K-VD	
<sup>1</sup> / <sub>8</sub> NPT		400	33	14	SKK12- <sup>1</sup> / <sub>8</sub> NPT-PD	SKK12- <sup>1</sup> / <sub>8</sub> NPT-VD	
<sup>1</sup> / <sub>4</sub> NPT		630	28	14	SKK12- <sup>1</sup> / <sub>4</sub> NPT-PD	SKK12- <sup>1</sup> / <sub>4</sub> NPT-VD	
<sup>5</sup> / <sub>16</sub> -24UNF	O-ring Type E	400	38	14	SKK12- <sup>5</sup> / <sub>16</sub> UNF-PE	SKK12- <sup>5</sup> / <sub>16</sub> UNF-VE	
<sup>7</sup> / <sub>16</sub> -20UNF		630	33	17	SKK12- <sup>7</sup> / <sub>16</sub> UNF-PE	SKK12- <sup>7</sup> / <sub>16</sub> UNF-VE	
<sup>1</sup> / <sub>2</sub> -20UNF		630	32	17	SKK12- <sup>1</sup> / <sub>2</sub> UNF-PE	SKK12- <sup>1</sup> / <sub>2</sub> UNF-VE	
<sup>9</sup> / <sub>16</sub> -18UNF		630	31	19	SKK12- <sup>9</sup> / <sub>16</sub> UNF-PE	SKK12- <sup>9</sup> / <sub>16</sub> UNF-VE	
M12x1,5		630	32	17	SKK12-M12x1,5-PE	SKK12-M12x1,5-VE	

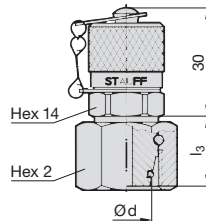
<sup>1)</sup> Special thread: buttress thread S 12,65 x 1,5

For ordering the plastic protection cap version please add "-KK" to the order number  
Other port connections and seals on request

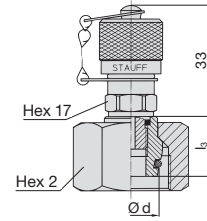
**Test coupling SKK (compression ring fittings acc. to DIN 2353)**



**Type G** Test coupling complete with straight fitting



**Version A**



**Version B**

**Type K** Test coupling for 24° cone fittings

Series	PN bar	Pipe Ø d	~l <sub>1</sub>	l <sub>2</sub>	l <sub>3</sub>	h	Hex 1	Hex 2	Version	Order No.	
										Type G	Type K
L	315	6	51	21	15,5	46	24	14	A	SKK12-06L-PG	SKK12-06L-PK
		8	51	21	15,5	46	24	17	A	SKK12-08L-PG	SKK12-08L-PK
		10	53	23	16,5	46	24	19	A	SKK12-10L-PG	SKK12-10L-PK
		12	53	23	17,5	47,5	27	22	A	SKK12-12L-PG	SKK12-12L-PK
		15	55	25	21	49	30	27	B	SKK12-15L-PG	SKK12-15L-PK-GS
		18	57	24	19,5	50	32	32	B	SKK12-18L-PG	SKK12-18L-PK-GS
	160	22	61	28	20,5	52	36	36	B	SKK12-22L-PG	SKK12-22L-PK-GS
		28	61	28	25	54,5	41	41	B	SKK12-28L-PG	SKK12-28L-PK-GS
		35	69	26	30	57	46	50	B	SKK12-35L-PG	SKK12-35L-PK-GS
		42	71	25	31	61,5	55	60	B	SKK12-42L-PG	SKK12-42L-PK-GS
S	630	6	55	25	14,5	46	24	17	A	SKK12-06S-PG	SKK12-06S-PK
		8	55	25	16,5	46	24	19	A	SKK12-08S-PG	SKK12-08S-PK
		10	57	24	16,5	46	24	22	A	SKK12-10S-PG	SKK12-10S-PK
		12	57	24	17,5	46	24	24	A	SKK12-12S-PG	SKK12-12S-PK
		14	63	27	19,5	47,5	27	27	B	SKK12-14S-PG	SKK12-14S-PK-GS
	400	16	63	26	18	49	30	30	B	SKK12-16S-PG	SKK12-16S-PK-GS
		20	69	26	24	52	36	36	B	SKK12-20S-PG	SKK12-20S-PK-GS
		25	75	27	26	54,5	41	46	B	SKK12-25S-PG	SKK12-25S-PK-GS
		30	81	28	30	57	46	50	B	SKK12-30S-PG	SKK12-30S-PK-GS
		315	38	91	29	34	61,5	55	60	B	SKK12-38S-PG

For ordering FPM seals please replace "P" by "V"  
 For ordering EPDM seals please replace "P" by "E"  
 "GS" as part of order no. : Version B – screwed design

**Test hose SMS** (for gaseous media Type SGS)

Max. working pressure 400 bar  Test hose: Nominal bore 2 mm Minimum bending radius 20 mm  <b>Nominal bore 4 mm also available</b>  Pressure/t° factor: to 0°C 122 % at 30°C 110 % at 50°C 100 % at 80°C 86 % at 100°C 77 %  Hose construction: Hose-core and -cover: PA Reinforcement: Synthetic fibre Burst pressure: 1100 bar	STAUFF-TEST 12/12 <sup>2)</sup>	STAUFF-TEST 12/20	STAUFF-TEST 12/15	STAUFF-TEST 10/12	STAUFF-TEST 12/M <sup>1</sup> / <sub>4</sub> -P-OR <sup>3)</sup>
STAUFF-TEST 12	STAUFF-TEST 20	STAUFF-TEST 15	STAUFF-TEST 10	GAUGE ADAPTOR	
Length L <sup>1)</sup>	Order No.				
200	SMS-12 – 200-A	SMS-12/20 – 200-A	SMS-12/15 – 200-A	SMS-10/12 – 200-A	SMS-12/M <sup>1</sup> / <sub>4</sub> -P-OR – 200-A
400	SMS-12 – 400-A	SMS-12/20 – 400-A	SMS-12/15 – 400-A	SMS-10/12 – 400-A	SMS-12/M <sup>1</sup> / <sub>4</sub> -P-OR – 400-A
630	SMS-12 – 630-A	SMS-12/20 – 630-A	SMS-12/15 – 630-A	SMS-10/12 – 630-A	SMS-12/M <sup>1</sup> / <sub>4</sub> -P-OR – 630-A
800	SMS-12 – 800-A	SMS-12/20 – 800-A	SMS-12/15 – 800-A	SMS-10/12 – 800-A	SMS-12/M <sup>1</sup> / <sub>4</sub> -P-OR – 800-A
1000	SMS-12 – 1000-A	SMS-12/20 – 1000-A	SMS-12/15 – 1000-A	SMS-10/12 – 1000-A	SMS-12/M <sup>1</sup> / <sub>4</sub> -P-OR – 1000-A
1500	SMS-12 – 1500-A	SMS-12/20 – 1500-A	SMS-12/15 – 1500-A	SMS-10/12 – 1500-A	SMS-12/M <sup>1</sup> / <sub>4</sub> -P-OR – 1500-A
2000	SMS-12 – 2000-A	SMS-12/20 – 2000-A	SMS-12/15 – 2000-A	SMS-10/12 – 2000-A	SMS-12/M <sup>1</sup> / <sub>4</sub> -P-OR – 2000-A
2500	SMS-12 – 2500-A	SMS-12/20 – 2500-A	SMS-12/15 – 2500-A	SMS-10/12 – 2500-A	SMS-12/M <sup>1</sup> / <sub>4</sub> -P-OR – 2500-A
3200	SMS-12 – 3200-A	SMS-12/20 – 3200-A	SMS-12/15 – 3200-A	SMS-10/12 – 3200-A	SMS-12/M <sup>1</sup> / <sub>4</sub> -P-OR – 3200-A
4000	SMS-12 – 4000-A	SMS-12/20 – 4000-A	SMS-12/15 – 4000-A	SMS-10/12 – 4000-A	SMS-12/M <sup>1</sup> / <sub>4</sub> -P-OR – 4000-A
<sup>1)</sup> Bending protection and other lengths on request		<sup>2)</sup> Special thread: buttress thread S12,65 x 1,5		<sup>3)</sup> Gauge adaptor 1/4 NPT, G 1/2 and 1/2 NPT on request	

**Bulkhead SSKK**

	Thread G	h	Hex	Order No.	
				NBR	FPM
	S12 <sup>1)</sup>	63	19	SSKK 12-P	SSKK 12-V

**Gauge adaptor SMA**

	Thread G	h	Hex	Order No.	
				NBR	FPM
	G 1/4	51	19	SMA 12 - G 1/4 - P-OR	SMA 12 - G 1/4 - V-OR
	G 1/2	61	27	SMA 12 - G 1/2 - P-OR	SMA 12 - G 1/2 - V-OR
	1/4 NPT	51	19	SMA 12 - 1/4 NPT-P	SMA 12 - 1/4 NPT-V
	1/2 NPT	61	27	SMA 12 - 1/2 NPT-P	SMA 12 - 1/2 NPT-V
	Snubber on request				

**Direct gauge adaptor SMD**

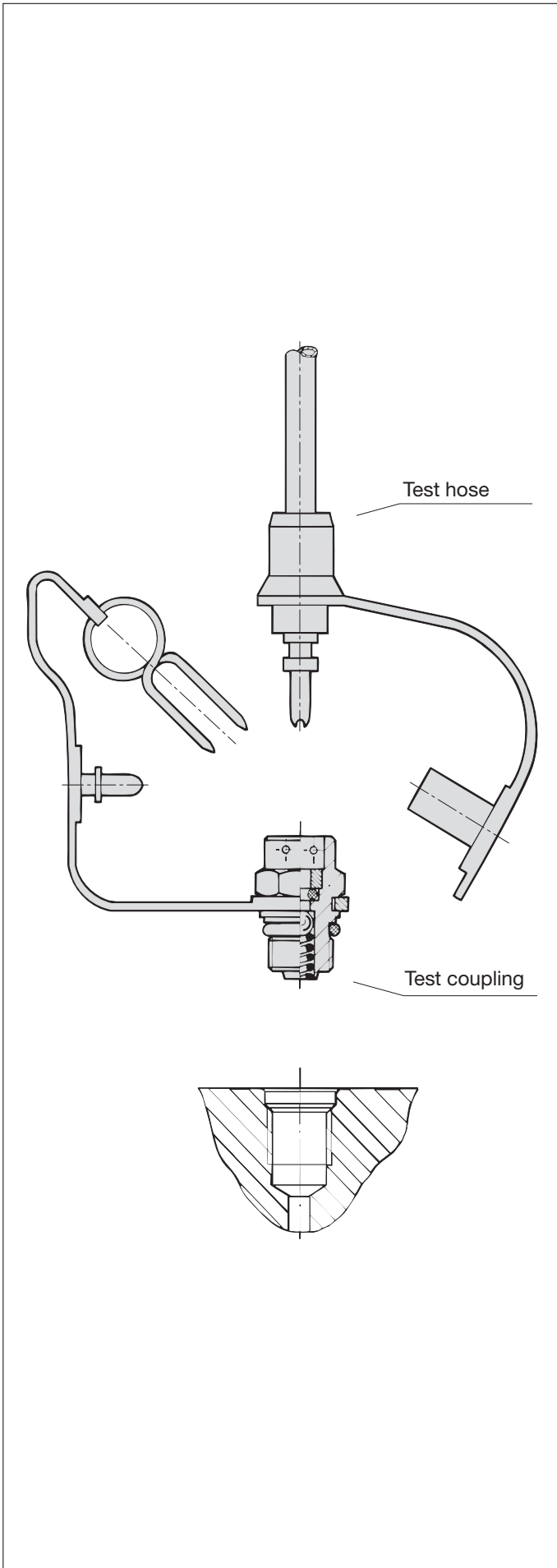
	Thread G	h	Hex	Order No.	
				NBR	FPM
	G 1/4	35	19	SMD 12 - G 1/4 - P-OR	SMD 12 - G 1/4 - V-OR
	G 1/2	45	27	SMD 12 - G 1/2 - P-OR	SMD 12 - G 1/2 - V-OR
	1/4 NPT	35	19	SMD 12 - 1/4 NPT	SMD 12 - 1/4 NPT
	1/2 NPT	45	27	SMD 12 - 1/2 NPT	SMD 12 - 1/2 NPT
	Snubber on request				

**Adaptor SAD**

	Thread G	h	Type	Order No.	
				NBR	FPM
	M 16 x 2	33	A	SAD 12/20-P	SAD 12/20-V
	M 16 x 1,5	33	A	SAD 12/15-P	SAD 12/15-V
	Plug in	31	B	SAD 12/10-P	SAD 12/10-V

<sup>1)</sup> Special thread: buttress thread S 12,65 x 1,5





### Fast coupling for:

- Monitoring and control of pressure
- Venting
- Sampling in high- and low-pressure systems

### Advantages:

- Coupling at system pressure level
- Leakproof connection before **ball valve** is open
- Simple connection to measuring, control and switching devices

### Working pressure:

- Max. working pressure 400 bar  
For SMK style G and K the recommended working pressure of fitting manufacturer has to be applied

### Materials:

- Metal parts: Steel zinc-plated and yellow chromated
- Ball: Stainless Steel
- Seals:
  - P = NBR (Temperature range -20° C to +100° C)  
(Internal seal made of FPM (even at the standard NBR-type))
  - V = FPM (Temperature range -20° C to +200° C)
  - E = EPDM Ethylene Propylene (for Break Fluid, Temperature range -40° C to +150° C)
- Hose: Polyamide (Temperature range -35° C to +100° C)

### Media:

- Suitable for hydraulic oils and other mineral oil based fluids  
(Please pay attention to the sealing materials used!)
- For use in conjunction with other liquid media please consult STAUFF

**Test coupling with protective cap**

	Thread G	Seal	Working pressure bar	H	Order No.	
	M8 x 1	O-ring Type A	250	17,5	NBR	FPM
	M10 x 1		400	17,5	SMK 10 – M8 x 1 – PA	SMK 10 – M8 x 1 – VA
	R 1/8 taper	Taper Type D <small>suitable sealant required</small>	400	17,5	SMK 10 – R 1/8 K-PD	SMK 10 – R 1/8 K-VD
Further thread versions possible by use of thread adaptors SRS20						

**Test coupling SMK (compression ring fittings acc. to DIN 2353)**

**Type G** Test coupling complete with straight fitting

**Type K** Test coupling for 24° cone fittings

Series	PN bar	Pipe Ø d	~l <sub>1</sub>	l <sub>2</sub>	l <sub>3</sub>	h	Hex 1	Hex 2	Version	Order No.	
										Type G	Type K
L	315	6	51	21	30,5	29,5	24	14	A	SMK10-06L-PG	SMK10-06L-PK-GS
		8	51	21	30,5	29,5	24	17	A	SMK10-08L-PG	SMK10-08L-PK-GS
		10	53	23	31,5	29,5	24	19	A	SMK10-10L-PG	SMK10-10L-PK-GS
		12	53	23	32,5	31	27	22	A	SMK10-12L-PG	SMK10-12L-PK-GS
		15	55	25	21	32,5	30	27	B	SMK10-15L-PG	SMK10-15L-PK-GS
		18	57	24	19,5	33,5	32	32	B	SMK10-18L-PG	SMK10-18L-PK-GS
	160	22	61	28	20,5	33,5	36	36	B	SMK10-22L-PG	SMK10-22L-PK-GS
		28	61	28	25	38	41	41	B	SMK10-28L-PG	SMK10-28L-PK-GS
35		69	26	30	40,5	46	50	B	SMK10-35L-PG	SMK10-35L-PK-GS	
42		71	25	31	45	55	60	B	SMK10-42L-PG	SMK10-42L-PK-GS	
S	400	6	55	25	29,5	29,5	24	17	A	SMK10-06S-PG	SMK10-06S-PK-GS
		8	55	25	31,5	29,5	24	19	A	SMK10-08S-PG	SMK10-08S-PK-GS
		10	57	24	31,5	29,5	24	22	A	SMK10-10S-PG	SMK10-10S-PK-GS
		12	57	24	32,5	29,5	24	24	A	SMK10-12S-PG	SMK10-12S-PK-GS
		14	63	27	19,5	31	27	27	B	SMK10-14S-PG	SMK10-14S-PK-GS
		16	63	26	18	32,5	30	30	B	SMK10-16S-PG	SMK10-16S-PK-GS
		20	69	26	24	35,5	36	36	B	SMK10-20S-PG	SMK10-20S-PK-GS
		25	75	27	26	38	41	46	B	SMK10-25S-PG	SMK10-25S-PK-GS
	30	81	28	30	40,5	46	50	B	SMK10-30S-PG	SMK10-30S-PK-GS	
	315	38	91	29	34	45	55	60	B	SMK10-38S-PG	SMK10-38S-PK-GS

For ordering FPM seals please replace "P" by "V"  
 For ordering EPDM seals please replace "P" by "E"  
 "GS" as part of order no.: screwed design

**Test hose SMS**

	Length L	Order No.	Notice
	200	SMS-10 – 200-A	<b>Nominal bore 2 mm</b> Minimum bending radius 20 mm  Pressure/t° factor to 0° C 122% at 30° C 110% at 50° C 100% at 80° C 86% at 100° C 77%  Bending protection and other lengths on request.
	400	SMS-10 – 400-A	
	630	SMS-10 – 630-A	
	800	SMS-10 – 800-A	
	1000	SMS-10 – 1000-A	
	1500	SMS-10 – 1500-A	
	2000	SMS-10 – 2000-A	
	2500	SMS-10 – 2500-A	
	3200	SMS-10 – 3200-A	
	4000	SMS-10 – 4000-A	

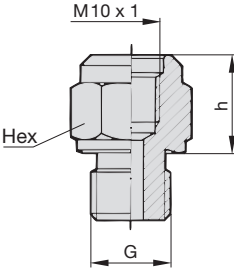
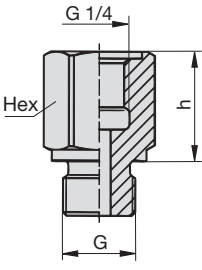
**Test hose SMS for direct gauge adaptor**

	Length L	Order No.	Notice
	200	SMS-10/M <sup>1</sup> / <sub>4</sub> -P-OR – 200-A	<b>Nominal bore 2 mm</b> Minimum bending radius 20 mm  Pressure/t° factor to 0° C 122% at 30° C 110% at 50° C 100% at 80° C 86% at 100° C 77%  Bending protection and other lengths on request.
	400	SMS-10/M <sup>1</sup> / <sub>4</sub> -P-OR – 400-A	
	630	SMS-10/M <sup>1</sup> / <sub>4</sub> -P-OR – 630-A	
	800	SMS-10/M <sup>1</sup> / <sub>4</sub> -P-OR – 800-A	
	1000	SMS-10/M <sup>1</sup> / <sub>4</sub> -P-OR – 1000-A	
	1500	SMS-10/M <sup>1</sup> / <sub>4</sub> -P-OR – 1500-A	
	2000	SMS-10/M <sup>1</sup> / <sub>4</sub> -P-OR – 2000-A	
	2500	SMS-10/M <sup>1</sup> / <sub>4</sub> -P-OR – 2500-A	
	3200	SMS-10/M <sup>1</sup> / <sub>4</sub> -P-OR – 3200-A	
	4000	SMS-10/M <sup>1</sup> / <sub>4</sub> -P-OR – 4000-A	

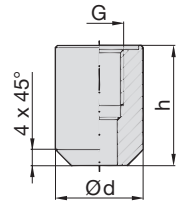
**Gauge adaptor SMA**

	G	H	Hex	Order No.	
				NBR	FPM
	G <sup>1</sup> / <sub>4</sub>	57	19	SMA 10 – G <sup>1</sup> / <sub>4</sub> – P-OR	SMA 10 – G <sup>1</sup> / <sub>4</sub> – V-OR
	G <sup>1</sup> / <sub>2</sub>	67	27	SMA 10 – G <sup>1</sup> / <sub>2</sub> – P-OR	SMA 10 – G <sup>1</sup> / <sub>2</sub> – V-OR
	<sup>1</sup> / <sub>4</sub> NPT	57	19	SMA 10 – <sup>1</sup> / <sub>4</sub> NPT-P	SMA 10 – <sup>1</sup> / <sub>4</sub> NPT-V
	<sup>1</sup> / <sub>2</sub> NPT	67	27	SMA 10 – <sup>1</sup> / <sub>2</sub> NPT-P	SMA 10 – <sup>1</sup> / <sub>2</sub> NPT-V
Snubber on request					

### Thread adaptor SRS

	Thread G	Seal	h	Hex	Version	Order No. SRS
 <p><b>Version A</b></p>	M10x1	Metal joint Type B	15,5	17	A	SRS20-M10x1-B
	M12x1,5		15	19	A	SRS20-M12x1,5-B
	M14x1,5		15	19	A	SRS20-M14x1,5-B
	M16x1,5		8	22	A	SRS20-M16x1,5-B
	M18x1,5		15	24	A	SRS20-M18x1,5-B
	M22x1,5		10,5	27	A	SRS20-M22x1,5-B
	G <sup>1</sup> / <sub>8</sub>		15,5	17	A	SRS20-G <sup>1</sup> / <sub>8</sub> -B
	G <sup>1</sup> / <sub>4</sub>		15	19	A	SRS20-G <sup>1</sup> / <sub>4</sub> -B
	G <sup>3</sup> / <sub>8</sub>		10,5	22	A	SRS20-G <sup>3</sup> / <sub>8</sub> -B
	G <sup>1</sup> / <sub>2</sub>		10,5	27	A	SRS20-G <sup>1</sup> / <sub>2</sub> -B
	M12x1,5	Elastomeric seal Type C	15	19	A	SRS20-M12x1,5-PC
	M14x1,5		15	19	A	SRS20-M14x1,5-PC
	M18x1,5		15	24	A	SRS20-M18x1,5-PC
	G <sup>1</sup> / <sub>8</sub>		16	17	A	SRS20-G <sup>1</sup> / <sub>8</sub> -PC
	G <sup>1</sup> / <sub>4</sub>		15	19	A	SRS20-G <sup>1</sup> / <sub>4</sub> -PC
	G <sup>3</sup> / <sub>8</sub>		10,5	22	A	SRS20-G <sup>3</sup> / <sub>8</sub> -PC
	G <sup>1</sup> / <sub>2</sub>		10,5	27	A	SRS20-G <sup>1</sup> / <sub>2</sub> -PC
	R <sup>1</sup> / <sub>4</sub> K		Taper Type D suitable sealant required	13	17	A
	R <sup>3</sup> / <sub>8</sub> K	13		19	A	SRS20-R <sup>3</sup> / <sub>8</sub> K-D
	R <sup>1</sup> / <sub>2</sub> K	8		22	A	SRS20-R <sup>1</sup> / <sub>2</sub> K-D
1/4NPT	10	17		A	SRS20-1/4NPT-D	
1/2NPT	8	22		A	SRS20-1/2NPT-D	
7/16-20UNF	O-ring Type E	9	17	A	SRS20-7/16UNF-PE	
1/2-20UNF		15	17	A	SRS20-1/2UNF-PE	
9/16-18UNF		15,5	19	A	SRS20-9/16UNF-PE	
7/8-14UNF		11	27	A	SRS20-7/8UNF-PE	
M14x1,5		14,5	19	A	SRS20-M14x1,5-PE	
M16x1,5		8,5	22	A	SRS20-M16x1,5-PE	
M22x1,5		10	27	A	SRS20-M22x1,5-PE	
M27x2		10	32	A	SRS20-M27x2-PE	
 <p><b>Version B</b></p>	M14x1,5	Metal joint Type B	24	19	B	SRS15-M14x1,5-B
	M16x1,5		24	22	B	SRS15-M16x1,5-B
	M18x1,5		24	24	B	SRS15-M18x1,5-B
	M20x1,5		10,5	27	B	SRS15-M20x1,5-B
	G <sup>3</sup> / <sub>8</sub>		24	22	B	SRS15-G <sup>3</sup> / <sub>8</sub> -B
	G <sup>1</sup> / <sub>2</sub>		10,5	27	B	SRS15-G <sup>1</sup> / <sub>2</sub> -B
	M14x1,5	Elastomeric seal Type C	24	19	B	SRS15-M14x1,5-PC
	M16x1,5		24	22	B	SRS15-M16x1,5-PC
	M18x1,5		24	24	B	SRS15-M18x1,5-PC
	G <sup>3</sup> / <sub>8</sub>		24	22	B	SRS15-G <sup>3</sup> / <sub>8</sub> -PC

### Welding adaptor SAS

	Thread G	Port connection	h	Ød	Order No. SAS
 <p>Material: St 37, black finished</p>	M10x1	Type A	25	20	SAS-M10x1
	G <sup>1</sup> / <sub>8</sub>	Type B/C	25	20	SAS-G <sup>1</sup> / <sub>8</sub>
	G <sup>1</sup> / <sub>4</sub>		30	22	SAS-G <sup>1</sup> / <sub>4</sub>
	G <sup>3</sup> / <sub>8</sub>		30	25	SAS-G <sup>3</sup> / <sub>8</sub>
	1/4NPT	Type D	25	20	SAS-1/4NPT
	1/2-20UNF	Type E	25	20	SAS-1/2UNF

	d	b	h	Pressure range bar/PSI Accuracy class 1.6	Order No.	
					G = G <sup>1</sup> / <sub>4</sub>	G = 1/4 NPT
	68	32	54	-1...+3 / -14...+42	SPG 063--1-3-1-S-B	SPG 063--1-3-1-S-N
			10 / 145	SPG 063-0-10-1-S-B	SPG 063-0-10-1-S-N	
			16 / 230	SPG 063-0-16-1-S-B	SPG 063-0-16-1-S-N	
			25 / 360	SPG 063-0-25-1-S-B	SPG 063-0-25-1-S-N	
			40 / 580	SPG 063-0-40-1-S-B	SPG 063-0-40-1-S-N	
			60 / 850	SPG 063-0-60-1-S-B	SPG 063-0-60-1-S-N	
			100 / 1.450	SPG 063-0-100-1-S-B	SPG 063-0-100-1-S-N	
			160 / 2.300	SPG 063-0-160-1-S-B	SPG 063-0-160-1-S-N	
			250 / 3.600	SPG 063-0-250-1-S-B	SPG 063-0-250-1-S-N	
			400 / 5.800	SPG 063-0-400-1-S-B	SPG 063-0-400-1-S-N	
			600 / 8.500	SPG 063-0-600-1-S-B	SPG 063-0-600-1-S-N	
	d	b	h	Pressure range bar/PSI Accuracy class 1.0	Order No.	
					G = G <sup>1</sup> / <sub>2</sub>	G = 1/2 NPT
	107	48	87	-1...+3 / -14...+42	SPG 100-(-1)-00003-01-S-B08	SPG 100-(-1)-00003-01-S-N08
			10 / 145	SPG 100-00010-01-S-B08	SPG 100-00010-01-S-N08	
			16 / 230	SPG 100-00016-01-S-B08	SPG 100-00016-01-S-N08	
			25 / 360	SPG 100-00025-01-S-B08	SPG 100-00025-01-S-N08	
			40 / 580	SPG 100-00040-01-S-B08	SPG 100-00040-01-S-N08	
			60 / 850	SPG 100-00060-01-S-B08	SPG 100-00060-01-S-N08	
			100 / 1.450	SPG 100-00100-01-S-B08	SPG 100-00100-1-S-N08	
			160 / 2.300	SPG 100-00160-01-S-B08	SPG 100-00160-01-S-N08	
			250 / 3.600	SPG 100-00250-01-S-B08	SPG 100-00250-01-S-N08	
			400 / 5.800	SPG 100-00400-01-S-B08	SPG 100-00400-01-S-N08	
			600 / 8.500	SPG 100-00600-01-S-B08	SPG 100-00600-01-S-N08	

“bar/PSI” dual scale,  
for further versions see catalogue  
“STAUFF Hydraulic Accessories”

## Adjustable gauge fitting EMV

	G <sub>1</sub>	G <sub>2</sub>	H	Hex	Order No.	
					NBR	FPM
	G <sup>1</sup> / <sub>4</sub>	G <sup>1</sup> / <sub>4</sub>	42	19	EMV-G <sup>1</sup> / <sub>4</sub> -P-OR-PC	EMV-G <sup>1</sup> / <sub>4</sub> -V-OR-VC
G <sup>1</sup> / <sub>4</sub>	G <sup>1</sup> / <sub>2</sub>	47	19	EMV-G <sup>1</sup> / <sub>4</sub> /G <sup>1</sup> / <sub>2</sub> -P-OR-PC	EMV-G <sup>1</sup> / <sub>4</sub> /G <sup>1</sup> / <sub>2</sub> -V-OR-VC	
G <sup>1</sup> / <sub>2</sub>	G <sup>1</sup> / <sub>4</sub>	51	27	EMV-G <sup>1</sup> / <sub>2</sub> /G <sup>1</sup> / <sub>4</sub> -P-OR-PC	EMV-G <sup>1</sup> / <sub>2</sub> /G <sup>1</sup> / <sub>4</sub> -V-OR-VC	
G <sup>1</sup> / <sub>2</sub>	G <sup>1</sup> / <sub>2</sub>	55,5	27	EMV-G <sup>1</sup> / <sub>2</sub> -P-OR-PC	EMV-G <sup>1</sup> / <sub>2</sub> -V-OR-VC	



<b>SMB-20-1-xxx</b>		(Pressure range)	
1 Test hose (2000 mm length)	SMS-20-2000-A	}	3
1 Pressure gauge Ø 63 mm	SPG 063-xxx .....		10
1 Gauge adaptor G 1/4	SMA 20-G 1/4		16
1 Direct gauge adaptor G 1/4	SMD 20-G 1/4		25
1 Test coupling G 1/4	SMK 20-G 1/4		40
1 Test coupling M 10 x 1	SMK 20-M 10 x 1		60
1 Thread adaptor G 3/8	SRS 20-G 3/8		100
1 Thread adaptor G 1/2	SRS 20-G 1/2		160
		250	
		400	

<b>SMB-15-1-xxx</b>		(Pressure range)	
1 Test hose (2000 mm length)	SMS-15-2000-A	}	3
1 Pressure gauge Ø 63 mm	SPG 063-xxx .....		10
1 Gauge adaptor G 1/4	SMA 15-G 1/4		16
1 Direct gauge adaptor G 1/4	SMD 15-G 1/4		25
1 Test coupling G 1/4	SMK 15-G 1/4		40
1 Test coupling M 14 x 1,5	SMK 15-M 14 x 1,5		60
1 Thread adaptor G 3/8	SRS 15-G 3/8		100
1 Thread adaptor G 1/2	SRS 15-G 1/2		160
		250	
		400	
		600	



<b>SMB-20-2-xxx/xxx</b>		(Pressure range)	
1 Test hose (2000 mm length)	SMS 20-2000-A	}	3
2 Pressure gauges Ø 63 mm	SPG 063-xxx/xxx...		10
1 Gauge adaptor G 1/4	SMA 20-G 1/4		16
1 Direct gauge adaptor G 1/4	SMD 20-G 1/4		25
1 Test coupling G 1/4	SMK 20-G 1/4		40
1 Test coupling M 10 x 1	SMK 20-M 10 x 1		60
1 Thread adaptor G 3/8	SRS 20-G 3/8		100
1 Thread adaptor G 1/2	SRS 20-G 1/2		160
			250
			400

<b>SMB-15-2-xxx/xxx</b>		(Pressure range)	
1 Test hose (2000 mm length)	SMS-15-2000-A	}	3
2 Pressure gauges Ø 63 mm	SPG 063-xxx/xxx...		10
1 Gauge adaptor G 1/4	SMA 15-G 1/4		16
1 Direct gauge adaptor G 1/4	SMD 15-G 1/4		25
1 Test coupling G 1/4	SMK 15-G 1/4		40
1 Test coupling M 14 x 1,5	SMK 15-M 14 x 1,5		60
1 Thread adaptor G 3/8	SRS 15-G 3/8		100
1 Thread adaptor G 1/2	SRS 15-G 1/2		160
			250
			400
		600	



<b>SMB-20-3-xxx</b>		(Pressure range)	
1 Test hose (2000 mm length)	SMS-20-2000 A	}	3
1 Pressure gauge Ø 100 mm	SPG 100-xxx .....		10
1 Gauge adaptor G 1/2	SMA 20-G 1/2		16
1 Direct gauge adaptor G 1/2	SMD 20-G 1/2		25
1 Test coupling G 1/4	SMK 20-G 1/4		40
1 Test coupling M 10 x 1	SMK 20-M 10 x 1		60
1 Thread adaptor G 3/8	SRS 20-G 3/8		100
1 Thread adaptor G 1/2	SRS 20-G 1/2		160
			250
			400

<b>SMB-15-3-xxx</b>		(Pressure range)	
1 Test hose (2000 mm length)	SMS-15-2000-A	}	3
1 Pressure gauge Ø 100 mm	SPG 100-xxx .....		10
1 Gauge adaptor G 1/4	SMA 15-G 1/2		16
1 Direct gauge adaptor G 1/4	SMD 15-G 1/2		25
1 Test coupling G 1/4	SMK 15-G 1/4		40
1 Test coupling M 14 x 1,5	SMK 15-M 14 x 1,5		60
1 Thread adaptor G 3/8	SRS 15-G 3/8		100
1 Thread adaptor G 1/2	SRS 15-G 1/2		160
			250
			400
		600	

Other compositions of test kits on request.

**Technical data for Test hoses**

Ordering code		A	B	C	D	
Nominal bore (DN)	(mm)	DN 2		DN 4		
max. working pressure (PN)	(bar)	400	630	340	630	
min. burst pressure	(bar)	1100	1900	850	1900	
Testing pressure	(bar)	600	950	570	950	
Pressure rating in bar at indicated temperature	at 0° C	(bar)	488	768	463	768
	at 30° C	(bar)	440	693	418	693
	at 50° C	(bar)	400	630	380	630
	at 80° C	(bar)	344	542	327	542
	at 100° C	(bar)	308	485	293	485
Working temperature	(° C)	- 35 to +100 (momentary +120)				
Inside diameter	(mm)	2		4		
Outside diameter	(mm)	5		8,6		
Bending radius	at working pressure	(mm)	20		40	
	at -20° C	(mm)	30		60	
max. coil length	(m)	100				
Weight/m	(g)	16		42		
Inner/outer tube		PA				
Reinforcement		Syntheticfibre				

Hose ends made out of 11 S Mn Pb 30 (1.0718), zinc plated and chromated

Stainless steel on request

**Ordering code**

**SMS<sup>1)</sup>** | **20**

Hose End 1 (see Type page 31 - 35)		
20	A . . .	J . . .
15	S . . .	D . . .
12	K . . .	B . . .
10	L . . .	U . . .
M . . .	G . . .	P . . .
N . . .	F . . .	etc.
W . . .	C . . .	

<sup>1)</sup> for gaseous media Type SGS

**/ M . . .**

Hose End 2 (see Type page 31 - 35)

only specify when  
2 different hose ends  
are required

**3000**

Length

Length in mm  
(see L above)

**A**

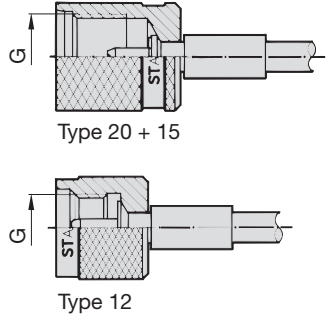
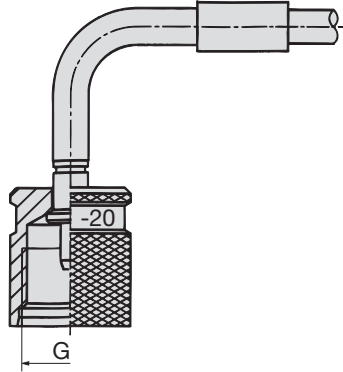
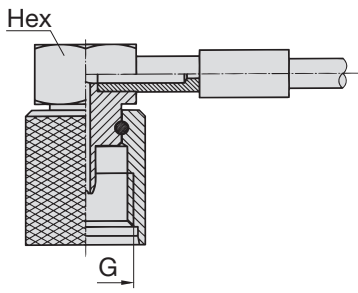
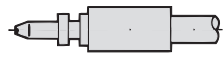
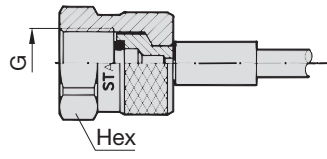
DN	
A	= DN 2 400 bar
B	= DN 2 630 bar
C	= DN 4 340 bar
D	= DN 4 630 bar

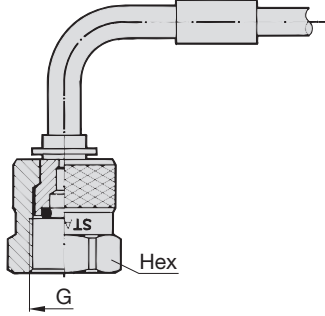
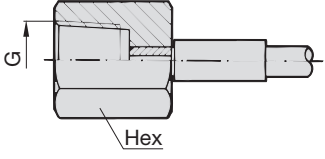
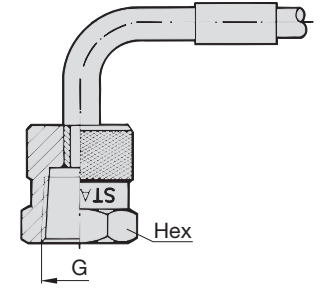
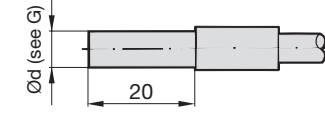
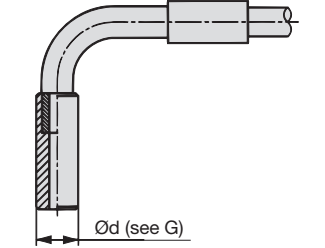
**Hose Connector SSV**

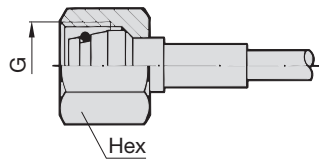
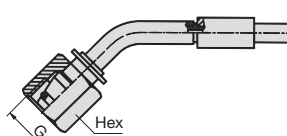
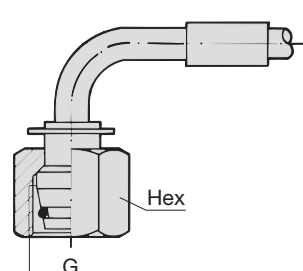
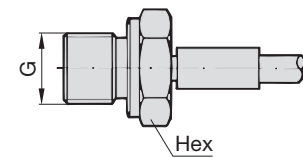
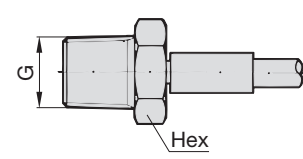
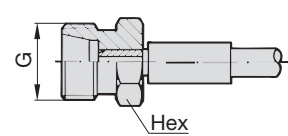
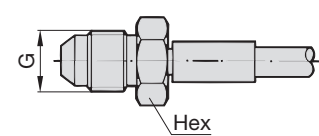
Typ	G	L <sub>1</sub>	L <sub>2</sub>	SW
SSV 20	M16 x 2	42,5	18,5	17
SSV 15	M16 x 1,5	42,5	18,5	17
SSV 12	S12,65 x 1,5	31,0	12,5	14

**Note: Internal seals made of FPM**

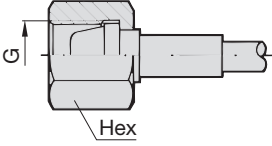
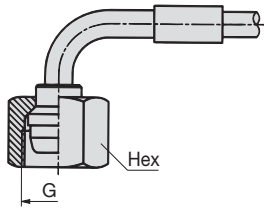
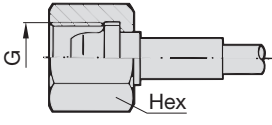
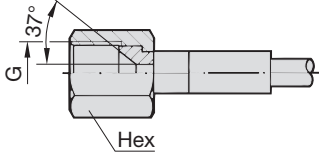
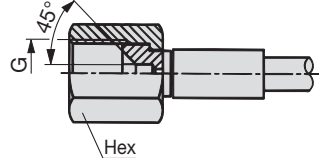
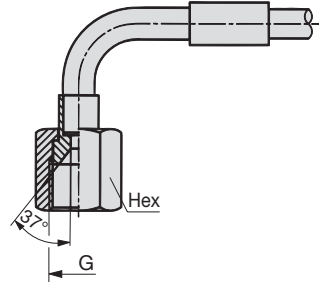


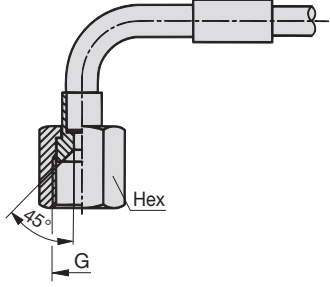
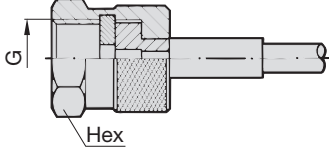
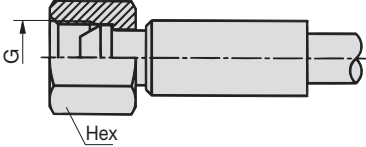
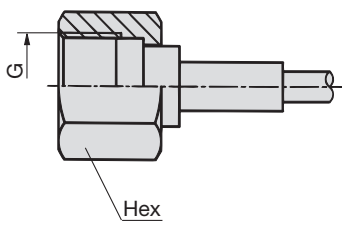
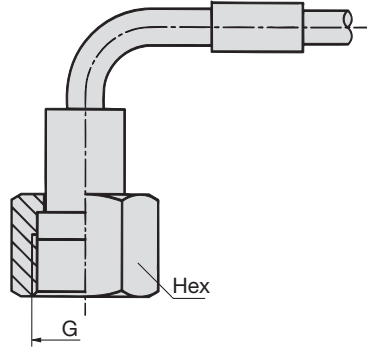
Description	Hose end	Type		G	Hex	DN
STAUFF-TEST Screw-type Suitable for test points	 <p>Type 20 + 15</p> <p>Type 12</p>		20	M16 x 2		2 and 4
			15	M16 x 1,5		
			12	S 12,65 x 1,5		
STAUFF-TEST Screw-type 90° elbow Suitable for test points		O	20	M16 x 2		
			15	M16 x 1,5		
			12	S 12,65 x 1,5		
STAUFF-TEST Screw-type 90° elbow Suitable for test points (short wire version)		OX	20	M16 x 2	17	2
			15	M16 x 1,5	17	
			12	S 12,65 x 1,5	17	
STAUFF-TEST Plug in-type			10	Plug in system		
Gauge adapter BSP-thread for G <sup>3/8</sup> , G <sup>1/2</sup> M14 x 1,5 and M20 x 1,5 swivel nut like type N		M	1/4	G <sup>1/4</sup>	19	2/4
			1/2	G <sup>1/2</sup>	27	2/4
			3/8	G <sup>3/8</sup>	22	2
			14	M14 x 1,5	19	2
			20	M20 x 1,5	27	2

Description	Hose end	Type	G	Hex	DN	
90° elbow gauge adapter BSP-thread  for G $\frac{1}{2}$ swivel nut like type N		W	$\frac{1}{4}$	G $\frac{1}{4}$	19	2 and 4
			$\frac{1}{2}$	G $\frac{1}{2}$	27	
Gauge adapter NPT-thread  for $\frac{1}{4}$ NPT swivel nut like type M		N	$\frac{1}{4}$	$\frac{1}{4}$ NPT	19	2
			$\frac{1}{2}$	$\frac{1}{2}$ NPT	27	
90° elbow gauge adapter NPT-thread  for $\frac{1}{2}$ NPT swivel nut like type N		A	$\frac{1}{4}$	$\frac{1}{4}$ NPT	19	2 and 4
			$\frac{1}{2}$	$\frac{1}{2}$ NPT	27	
Standpipe according to DIN 2353		S	4	4 LL		2
			6	6 L - 6 S		2/4
			8	8 L - 8 S		2/4
			10	10 L - 10 S		2/4
			12	12 L - 12 S		2
			$\frac{1}{4}$	$\frac{1}{4}$ "		2/4
Standpipe according to DIN 2353 90° elbow		SG	6	6 L - 6 S		2 and 4
			8	8 L - 8 S		

Description	Hose end	Type	G	Hex	DN	
Seal with O-ring for 24° cone fitting according to DIN 2353 c/w swivel nut		K	6 L	M12 x 1,5	14	
			8 L	M14 x 1,5	17	
			10 L	M16 x 1,5	19	
			12 L	M18 x 1,5	22	
			6 S	M14 x 1,5	17	
			8 S	M16 x 1,5	19	
			10 S	M18 x 1,5	22	
			12 S	M20 x 1,5	24	
Seal with O-ring for 24° cone fitting according to DIN 2353 c/w swivel nut 45° elbow		R	6 L	M12 x 1,5	14	
			6 S	M14 x 1,5	17	
Seal with O-ring for 24° cone fitting according to DIN 2353 c/w swivel nut 90° elbow		L	6 L	M12 x 1,5	14	
			8 L	M14 x 1,5	17	
			10 L	M16 x 1,5	19	
			6 S	M14 x 1,5	17	
			8 S	M16 x 1,5	19	
			10 S	M18 x 1,5	24	
Male thread according to DIN 3852-B		G	12	M12 x 1,5	17	
			1/8	G 1/8	14	
			1/4	G 1/4	19	
			1/2	G 1/2	27	
Male thread NPT according to ANSI-standard		F	1/8	1/8 NPT	13	
			1/4	1/4 NPT	17	
Male thread for 24° cone fitting according to DIN 2353		C	6 L	M12 x 1,5	14	
			8 L	M14 x 1,5	17	
			6 S	M14 x 1,5	17	
			8 S	M16 x 1,5	17	
Male thread according to SAE J 514		J	1/4	7/16 - 20 UNF	14	
			5/16	1/2 - 20 UNF	14	
			3/8	9/16 - 18 UNF	17	

2  
and  
4

Description	Hose end	Type		G	Hex	DN
Universal sealing head with swivel nut for 24° cone fitting according to DIN 2353		D	6 L	M12 x 1,5	14	
			8 L	M14 x 1,5	17	
			10 L	M16 x 1,5	19	
			12 L	M18 x 1,5	22	
			6 S	M14 x 1,5	17	
			8 S	M16 x 1,5	19	
			10 S	M18 x 1,5	22	
			12 S	M20 x 1,5	24	
Universal sealing head with swivel nut for 24° cone fitting according to DIN 2353 90° elbow		Q	10 L	M16 x 1,5	19	2 and 4
			10 S	M18 x 1,5	22	
Sealing head with swivel nut for cone fitting according to DIN EN 560		B	1/8	G 1/8	12	
			1/4	G 1/4	17	
Sealing head with swivel nut according to SAE J 514 37° cone		U	1/4	7/16 - 20 UNF	14	
			5/16	1/2 - 20 UNF	17	
			3/8	9/16 - 18 UNF	19	
Sealing head with swivel nut according to SAE J 516 45° cone		UR	1/4	7/16 - 20 UNF	14	
Sealing head with swivel nut according to SAE J 514 37° cone 90° elbow		E	1/4	7/16 - 20 UNF	14	2

Description	Hose end	Type		G	Hex	DN	
Sealing head with swivel nut according to SAE J 516 45° cone 90° elbow		ER	1/4	7/16 - 20 UNF	14	2	
Test hose for air brake systems		P	2	M 16 x 1,5	19	2	
Sealing head with swivel nut 60° cone		H	1/4	G 1/4	17	2 and 4	
Screw-type ORFS according to SAE J 1453		T	9/16	9/16 - 18 UNF	17	2	
			11/16	11/16 - 16 UN	21		
Screw-type ORFS according to SAE J 1453 90° elbow		V	11/16	11/16 - 16 UN	21	2 and 4	