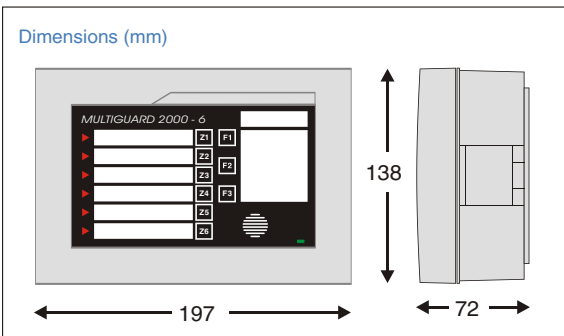
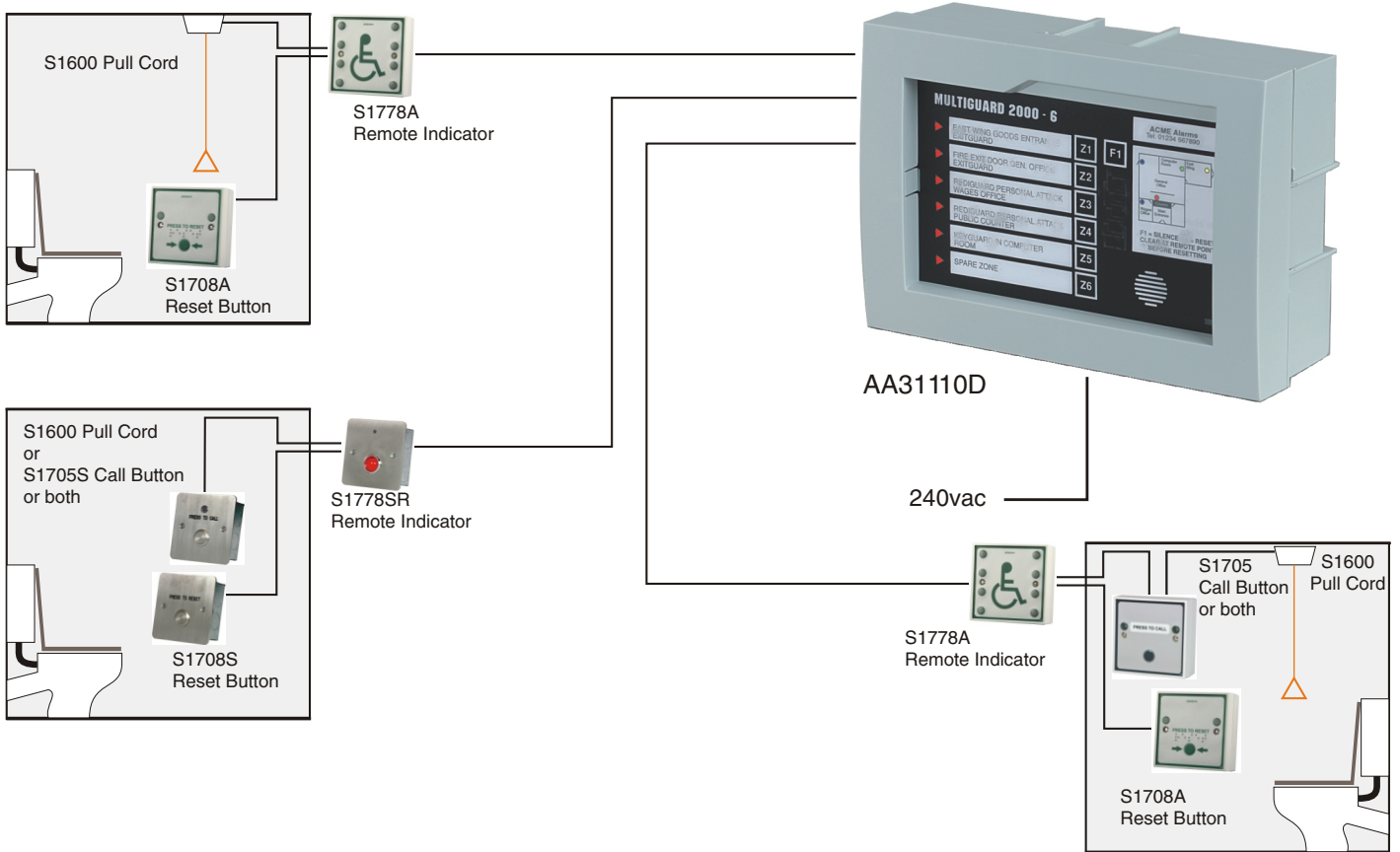


# Multizone Disabled Toilet Alarm System

The AA31110D MULTIGUARD is a six zone assistance call panel for larger buildings that need central indication of the origin of the call. It is designed to give dual re-assurance indication at the point of operation. It is designed for use as a multi zone Disabled Toilet Alarm system or Swimming Pool Emergency call system (See page 2).

## Operation

When a PULL CORD or CALL BUTTON is operated its LED flashes and a local buzzer sounds to inform the caller that the call has been transmitted. A flashing LED on the control panel identifies the relevant zone. When the call is silenced at the panel the flashing LED becomes steady and the local buzzers silences to inform the caller that the call has been received and help is on the way. If the caller pulls the cord again the LED on the pull cord will flash and the local buzzer sounds again. When help does arrive the call is reset using the local RESET BUTTON. All LEDs and buzzers, flashing or steady, are extinguished. An integral PSU and battery are included in the AA31110D Multiguard.



The above schematic shows only a three zone system for clarity. The system requirements for a six zone system are as follows:-

- 1 x AA31110D per six zone system
- 1 x S1600 or S1705 per toilet
- 1 x S1778 per toilet
- 1 x S1708 reset button per toilet

Remote indicators, Call and Reset buttons are available in either ABS or stainless steel for flush mounting



**Hoyles Electronic Developments Ltd**

T. 01744 886600

F. 01744 886607

E. sales@hoyles.com

W. www.hoyles.com

# Multizone Pool Alarm System

Multi-Zone Pool alarm systems are available using AA31110D controllers. They are designed to provide an emergency calling facility from a pool side, sauna or steam room to a supervisor's location. Multi-Zone pool alarm comprises our 6 zone assistance call panel AA31110D plus other accessories, the Multi-Zone system provides a comprehensive emergency call system for larger pool and leisure centres. The 6 zone panel provides an indication of the location from which a call has been made. Repeater panels to indicate alarms in multiple locations, are also available.

## Operation

To generate a call the user simply operates the poolside call point WRP-B-11 or optional call point S1711WP (Sauna use). An audible and visual warning is given by the controller and the sounder beacons connected to the system.

Sounder beacons are silenced by pressing the silence button on the controller. The panel will then bleep every 60 seconds and the beacons will continue to flash until the activated call point is reset and the controller reset.

The components required to build a Multizone system are as follows:

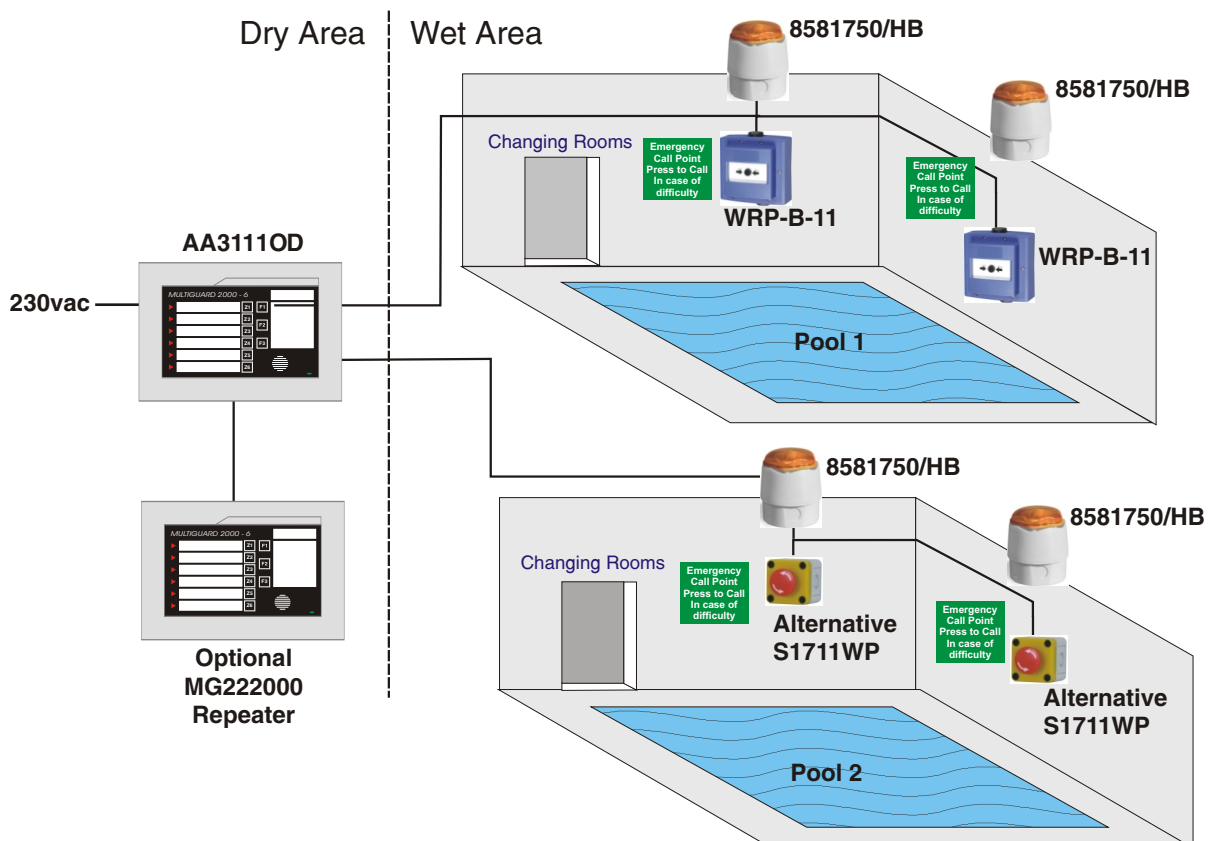
- 1 x AA31110D Control Panel
- At least 1 x WRP-B-11 Call Point per zone
- At least 1 x 8581750/HB Sounder Beacon (can be fitted per zone or per system)
- 1 x LAB35200 - Pool Alarm Sign per call point

Optional - MG222000 Repeater Control Panel, S1711WP IP65 Twist to reset Call Button (use in Sauna and Steam room)

Note: If using more than 2 sounder beacons on this system, you will need a separate 12vdc power supply and standby battery as listed below:

- 1 x PSU-12/1A5B Power Supply - Dry area only
- 1 x BAT12v3300LA Standby Battery for Power Supply

## Typical Multi system showing the arrangement of various components.



- 6 zone controller with sounder
- Individual zone LEDs
- Mains Powered with Standby Battery
- Audible & Visual Signalling to Remote Point
- High Power Remote Sounder-beacon
- Waterproof Poolside Call Point
- Advisory Sign for Poolside Call Point



**Hoyles Electronic Developments Ltd**

T. 01744 886600 F. 01744 886607 E. sales@hoyles.com W. www.hoyles.com