

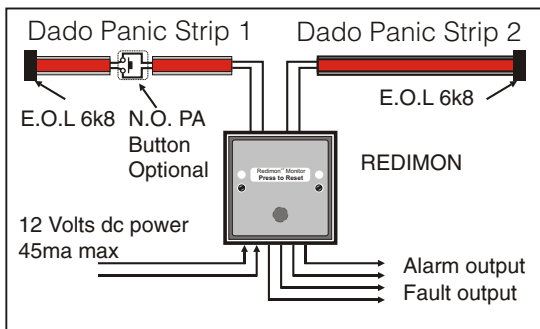
Redimon ●●●●

REDIMON is a latching monitor unit which can fully monitor two open circuit momentary devices such as Dado Panic Strip to give alarm and fault conditions. An end of line resistor (6k8) is fitted at the remote ends of Dado Panic Strip. Pressing the Dado Panic Strip creates a short circuit which will be detected as an alarm condition. If the Dado Panic Strip becomes disconnected in any way a fault condition is generated.

REDIMON has an optional 'double knock' function which is configured by fitting 10k end of line resistors rather than 6k8. This function requires the Dado Panic Strip or other normally open switch to be pressed twice within 5 seconds to generate an alarm condition.

The REDIMON requires 12 volts dc and provides volt free changeover contacts independently for both alarm and fault. Status LEDs are provided, normally a green LED would be illuminated for system healthy, the red LED indicates an alarm, and alternate flashing of the red and green LEDs would indicate a fault condition.

- Alarm Relay Output
- Fault Relay Output
- 12vdc Powered
- Reset Button
- LED Indicators
- Uses an Open circuit System(such as Dado Panic Strip)
- Secures Open Circuit Devices
- Dual 6k8 Inputs
- Double Press Option



Hoyles Electronic Developments Ltd

T. 01744 886600

F. 01744 886607

E. sales@hoyles.com

W. www.hoyles.com