

# Secure-a-Link - WLR121KIT



The Secure-a-Link system consists of two identical transceiver units, which are paired together, each requiring a local 12VDC power supply. The units can transmit up to 200ft in free space.

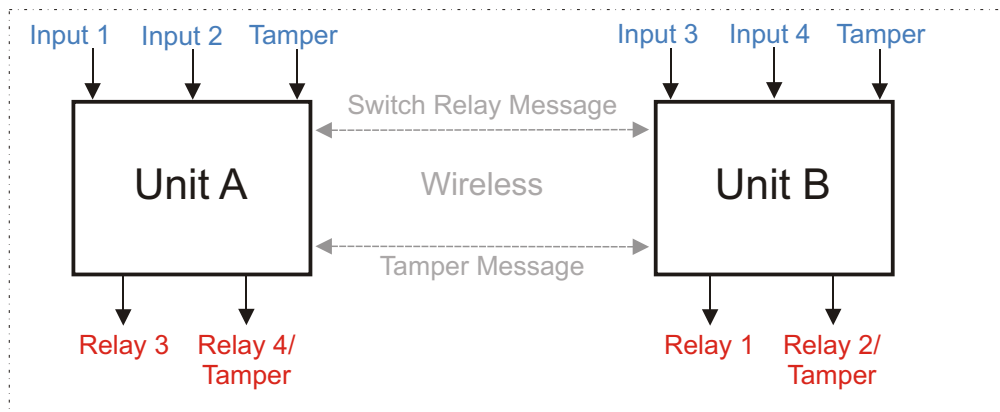
The system is designed to take a clean contact input and transmit this wirelessly to another point, giving a clean contact output, without the need for hardwiring between the two points.

Two way communication between the units is provided so that signals can be sent in either or both directions and once paired, the units only communicate within their pair, so multiple pairs of units can be used within the same area without interference.

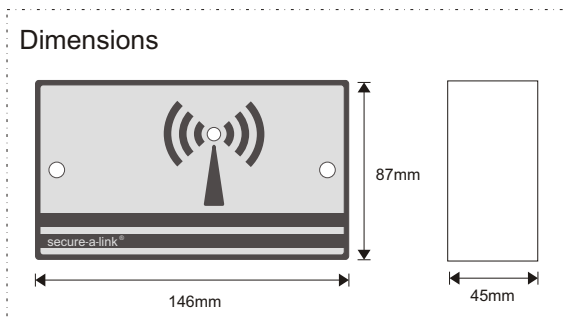
Each of the units has two clean contact inputs, two clean contact outputs and a unit tamper. The user can select whether to use two separate inputs / outputs with a local tamper LED indication or one input / output with the second output as a clean contact tamper output.

When the external input of either unit is applied, it sends a message to the opposite unit to switch its relay. If a tamper is detected on either unit, a message is sent to the opposite unit and the tamper condition is indicated on both units. The tamper is also triggered if communication between the units is lost.

The operation of the wireless relay units is illustrated below.



The Wireless Relay system has many applications where short range transmission of simple switches is required, for example, PA buttons, door contacts, remote sounders, lighting, door locking etc. The units are supplied in double gang plastic plates.



**Hoyles Electronic Developments Ltd**

T. 01744 886600

F. 01744 886607

E. sales@hoyles.com

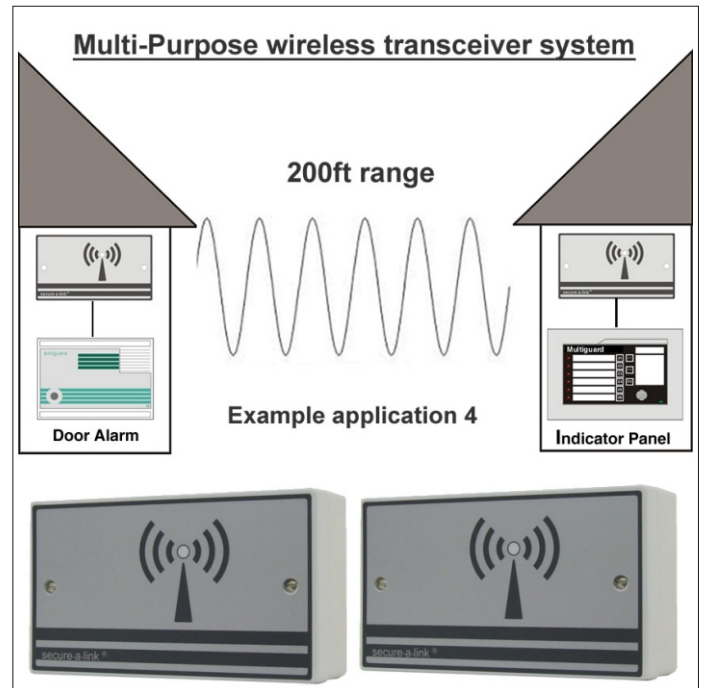
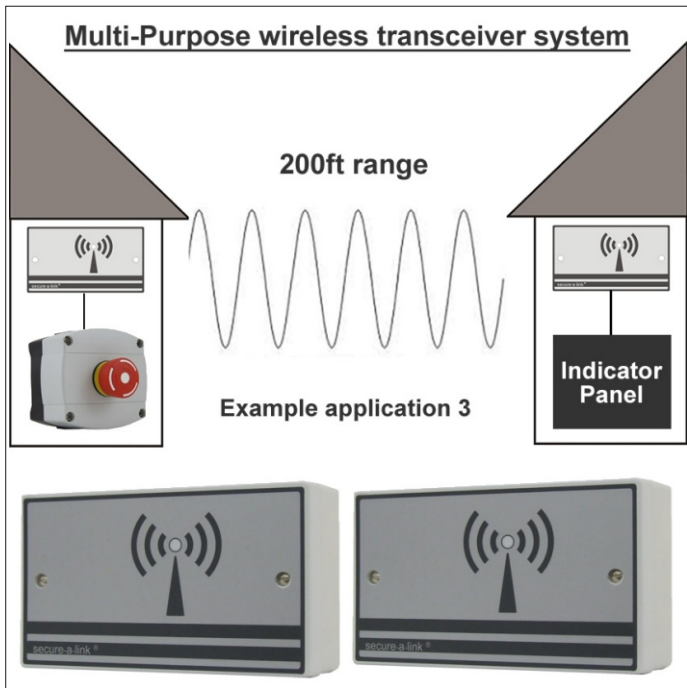
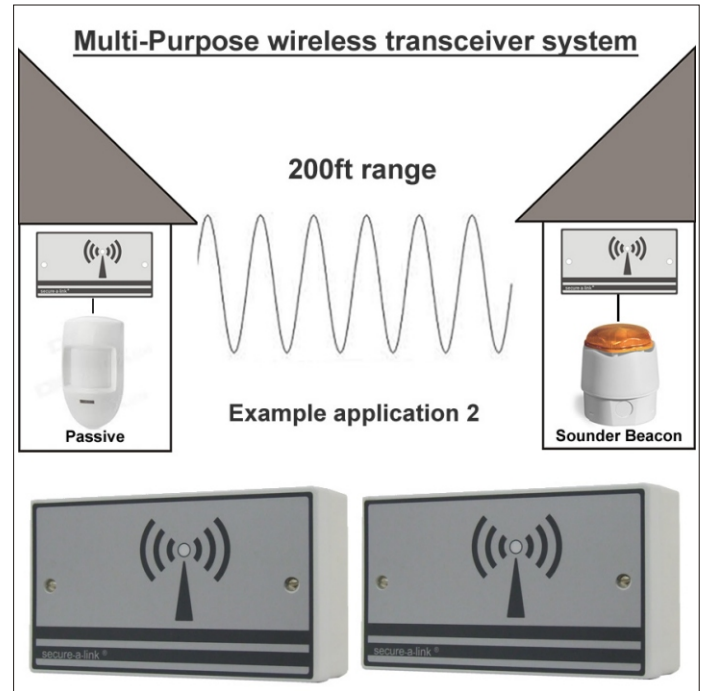
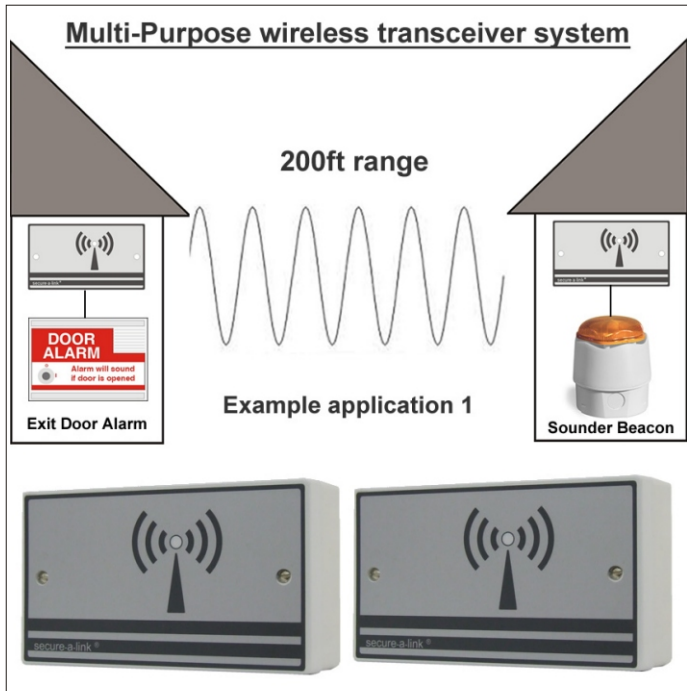
W. www.hoyles.com



# Example Applications



The Wireless Relay system **Secure-a-link** has many applications where short range transmission of simple switches is required, for example, PA buttons, door contacts, remote sounders, lighting, door locking etc. The units are supplied in double gang plastic plates.



**Hoyles Electronic Developments Ltd**

T. 01744 886600

F. 01744 886607

E. [sales@hoyles.com](mailto:sales@hoyles.com)

W. [www.hoyles.com](http://www.hoyles.com)