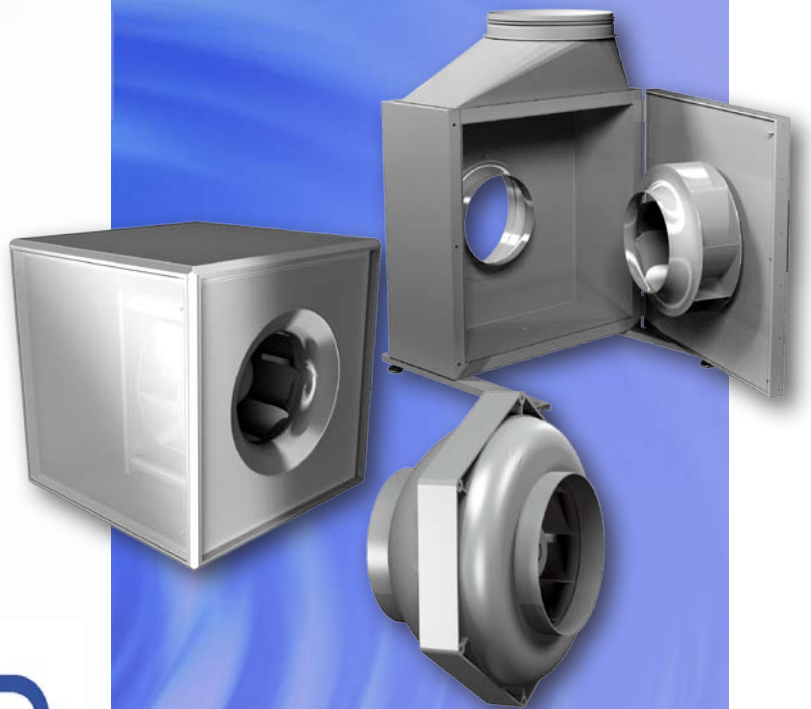


AC Commercial Fans



AXAIR
FANS UK LIMITED
www.axair-fans.co.uk

2013 Edition



About Axair Fans UK



Axair is an independent industrial fan manufacturer and distributor.

What we offer :

Application Knowledge:

20 years experience in air movement; from fume handling to refrigeration, from small electronic systems to process plants.

Product Range:

Containing thousands of models ; from miniature D.C. Axials to large centrifugal fans.

Stock Facility:

Thanks to our 12,000ft² high bay warehouse containing an unparalleled variety of fan solutions.

Customised Stock:

Take advantage of our ability to build fans from stock components, modify standard products, or order 'specials' to meet your precise requirements and your deadlines.

Customer Care:

Take the opportunity to contact our highly experienced technical sales team to discuss your airflow requirements.

ErP Requirements



All fans featured in this catalogue are defined as "final products" (i.e. units in which fans are incorporated) and have no ErP legal requirement for the moment.

They are handled in product group lot 6 "air conditioning and ventilation systems" together with air handling units. Current schedule for legal compliance is 2014/2015.

Inline Duct Fans



The 'RS' range of inline duct fans are fitted with an attractive and resilient plastic casing with an integrated IP44 terminal box and guide vanes. The 'RS' range are powered by external rotor

motor based fans which are 100% speed controllable. Impellers up to Ø250 are made of plastic, the RS315/L being fitted with metal impellers.

- Resilient plastic housing
- High efficiency impeller
- Standard metric spigot
- Thermally protected motor
- Integral Terminal box
- IP44 ingress protection motor
- Manufactured to ISO 9001
- Class F insulated motor
- G2.5 precision balanced impeller
- Electronic control compatible

Key Features



Air guide vanes: Straighten the air to reduce noise.



High efficiency impellers: Profiled blades for high airflow, low noise & low running costs.

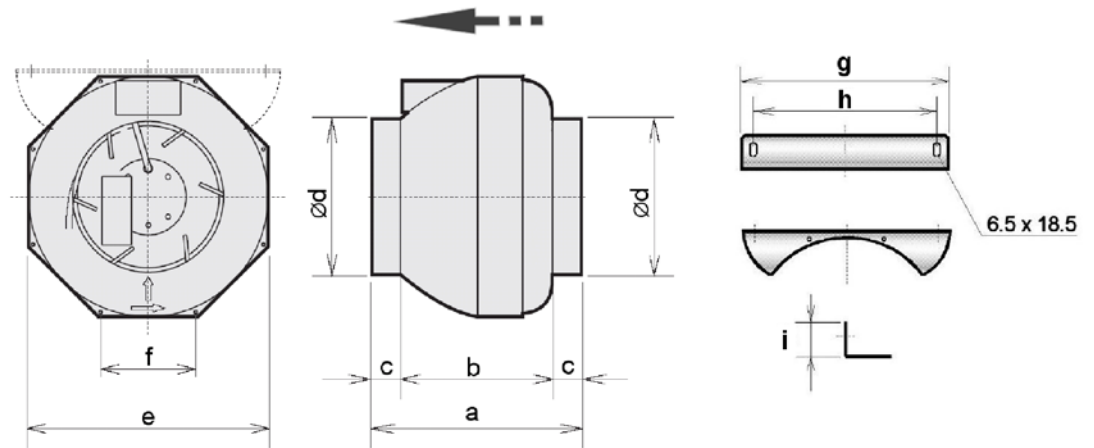


Painted rotor: To resist corrosion.



Integrated connection box: Particle & water splash protection to IP44.

Dimensions



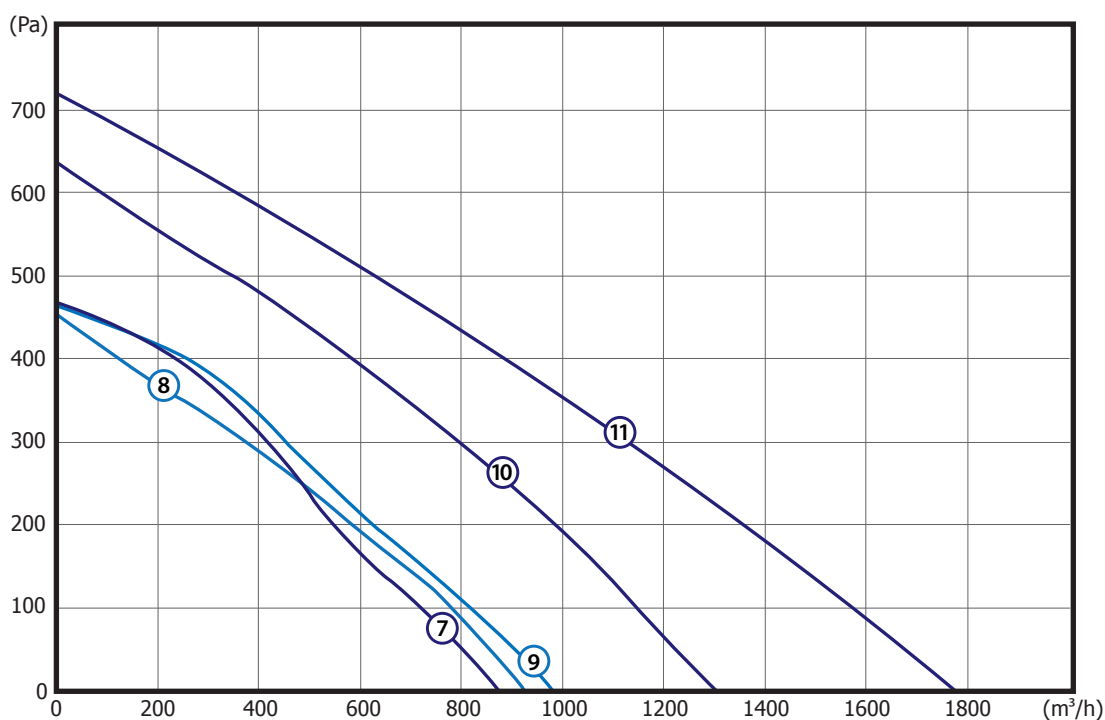
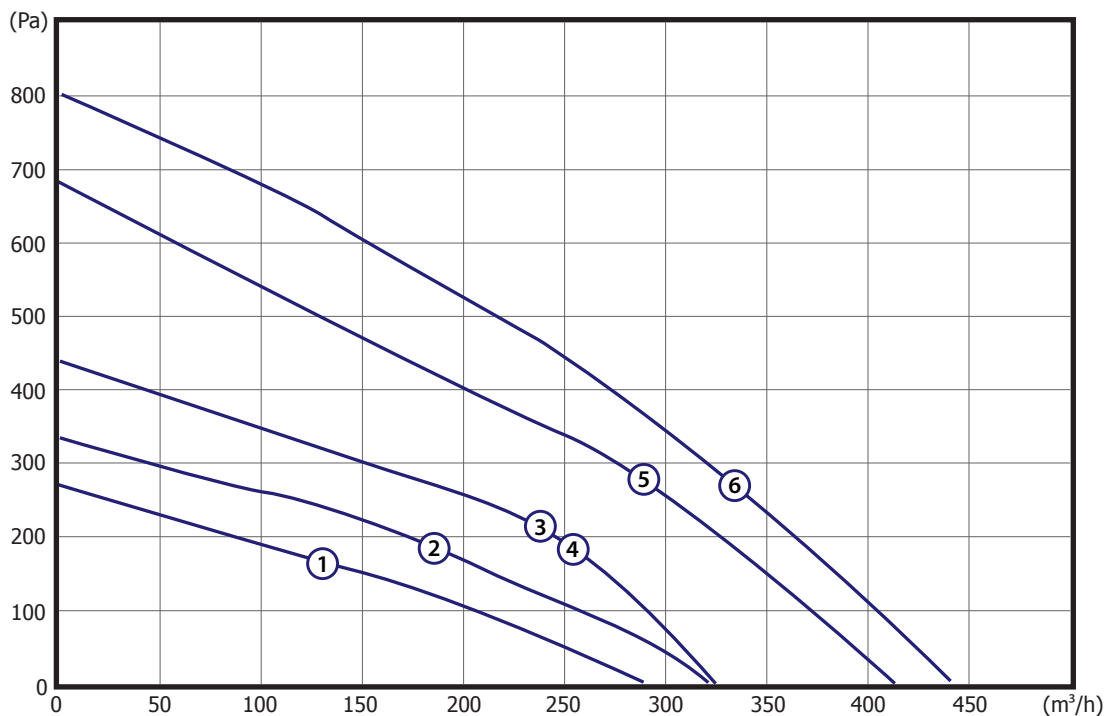
All measurements in mm

Reference	RS 100 L	RS 125 L	RS 150	RS 160 / L	RS 200 / L	RS 250 / L	RS 315 / L
a	220	220	230	230	230	230	275
b	160	160	170	170	170	170	215
c	30	30	30	30	30	30	30
d	100	124	149	159	199	249	314
e	245	245	340.5	340.5	340.5	340.5	405
f	97.6	97.5	135.7	135.7	135.7	135.7	160.7
g	270	270	270	270	270	270	405
h	240	240	240	240	240	240	375
i	47	47	47	47	47	47	47
Bracket ref.	MB 1	MB 1	MB 2	MB 2	MB 2	MB 2	MB 3

Speed Control

All our RS fans are 100% speed controllable - Please contact us for the individual datasheet of your selection and check the airflow & noise spectrum at various voltages.

Performance Characteristics (50Hz)



Technical Data

Code	Max Airflow	Power	Max. Current	Speed	Max Air Temp	Weight	Curve
	m³/h	Wa	A	rpm	°C	Kg	
RS 100 L	230	33	0.14	2250	70	2.4	1
RS 125 L	335	65	0.30	2415	70	2.4	2
RS 150	440	70	0.30	2400	70	3.0	3
RS 160	440	70	0.30	2400	70	3.0	4
RS 160 L	660	115	0.49	2440	50	3.2	5
RS 200	780	115	0.50	2395	50	3.4	6
RS 200 L	870	160	0.70	2540	55	3.7	7
RS 250	850	115	0.50	2450	50	3.4	8
RS 250 L	980	160	0.65	2560	55	3.7	9
RS 315	1275	220	0.95	2540	55	5.7	10
RS 315 L	1725	300	1.30	2390	45	5.6	11

UNOBOX



The Rosenberg UNOBOX extract units are designed to handle air volumes from 800m³/h to 19,000m³/h . UNOBOX are designed for applications such as apartments, shops, supermarkets, workshops,

warehouses, garages and swimming pools or any other areas with slight air contamination. UNOBOX are powered with backward curved motorised impellers with external rotor motors.

Key Features

Casing - UNOBOX consist of cube shaped casing with a die-cast aluminium frame and "double skinned" 20mm insulated side panels, to avoid condensation. The side panels are removable so discharge is possible in different directions.

Impellers - High performance backward curved impellers in plastic and galvanised steel (up to Ø450) or aluminium (from Ø500). Impellers and external rotor motors are dynamically balanced together to G2.5 to DIN1940 standard.

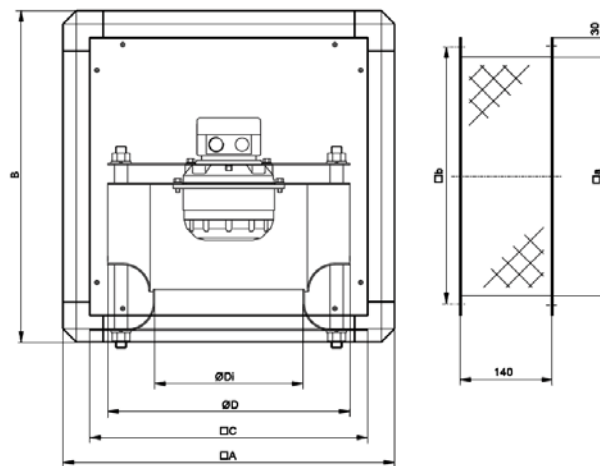
Motors - Rosenberg External rotor motors are protected to IP54, insulated to Class F, mounted on ball bearings and protected with thermal contacts.

Inlet rings - Inlet rings are made of galvanised steel and are an integral part of the housing.

Electrical connection - Nominal voltage is indicated on the type shield, tolerance +/- 10%.

Noise levels & Wiring diagram - Available on request

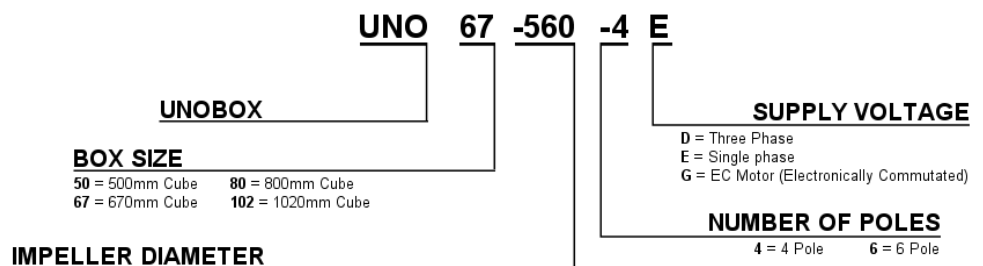
Dimensions



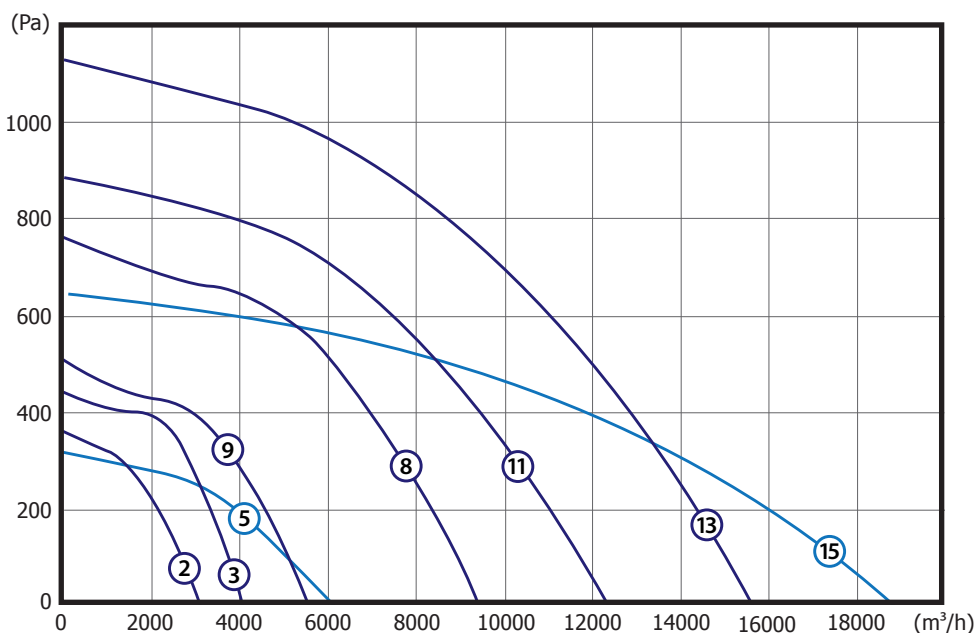
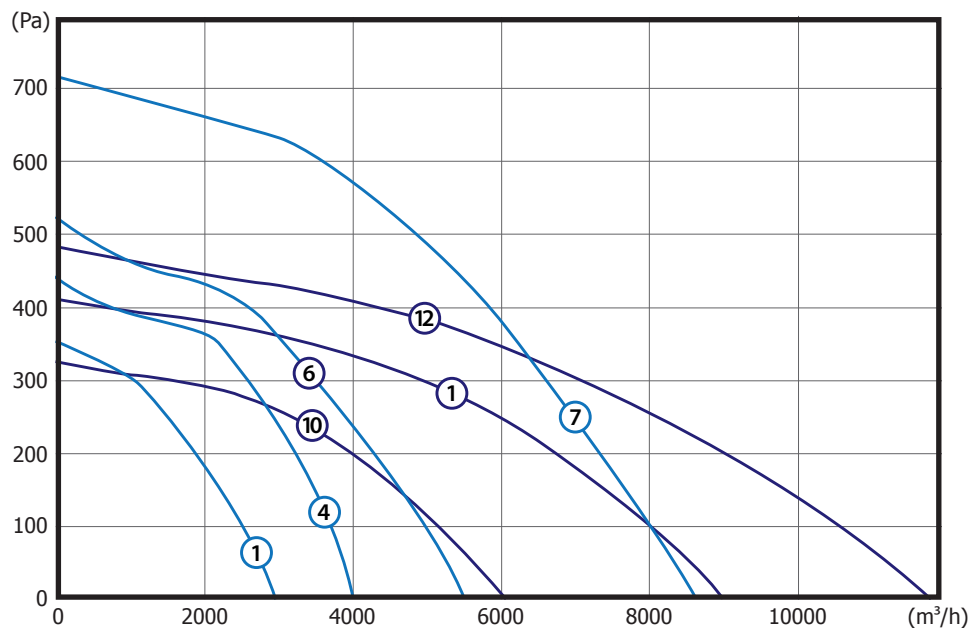
All measurements in mm

Model	A	B	C	D	Di	a	b	Flexible Outlet Connector
UNO 50-355	500	500	450	365	224	389	438	I30-50081
UNO 67-400	670	670	620	404	253	559	608	I30-67081
UNO 67-450	670	670	620	454	286	559	608	I30-67081
UNO 67-500	670	670	620	504	321	559	608	I30-67081
UNO 80-560	800	800	720	570	361	659	698	I30-80080
UNO 80-630	800	800	720	634	407	659	698	I30-80080
UNO 102-710	1020	1020	940	718	438	879	918	I30-10080

Coding System



Performance Characteristics (50Hz)



Technical Data

Model	Article No.	Voltage	Speed	Max. Current	Motor Rating	Max. Flow Rate	Motor Protection	Max. Air Temp.	Weight	Curve
		V	rpm	A	kW	m³/h		°C	Kg	
UNO 50-355-4E	F08-35503	230V (50Hz)	1325	1,25	0,29	2950	IP 54	+55	32	1
UNO 50-355-4D	F08-35504	400V (50Hz)	1355	0,70	0,33	3090	IP 54	+50	33	2
UNO 67-400-4E	F08-40003	230V (50Hz)	1360	2,40	0,53	4060	IP 54	+45	49	3
UNO 67-400-4D	F08-40004	400V (50Hz)	1335	0,90	0,48	4030	IP 54	+50	52	4
UNO 67-450-4E	F08-45014	230V (50Hz)	1270	3,50	0,76	5570	IP 54	+45	58	5
UNO 67-450-4D	F08-45015	400V (50Hz)	1240	1,33	0,67	5500	IP 54	+50	54	6
UNO 67-500-4E	F08-50028	230V (50Hz)	1310	7,30	1,57	8600	IP 54	+40	66	7
UNO 67-500-4D	F08-50024	400V (50Hz)	1380	3,70	1,80	9400	IP 54	+40	66	8
UNO 67-500-6E	F08-50023	230V (50Hz)	900	2,70	0,56	6070	IP 54	+50	57	10
UNO 80-560-4D	F08-56015	400V (50Hz)	1350	4,80	2,50	12300	IP 54	+40	95	11
UNO 80-560-6D	F08-56017	400V (50Hz)	870	2,05	0,86	9000	IP 54	+50	82	12
UNO 80-630-4D	F08-63008	400V (50Hz)	1380	6,60	3,65	15660	IP 54	+45	105	13
UNO 80-630-6D	F08-63010	400V (50Hz)	820	3,10	1,35	11820	IP 54	+55	103	14
UNO102-710-6D	F00-71010	400V (50Hz)	890	4,70	2,45	18900	IP 54	+45	157	15

Kitchen Extract Fans



The Rosenberg KB series is a high quality product, manufactured in Germany for world markets. It is driven by external rotor motors located out of the air-stream, allowing the impeller to operate at up to 100°C.

The housing remains cool through having a thermally insulated skin. The motorised impeller is assembled to a hinged door, which provides rapid access to the fan for inspection and cleaning.

Key Features

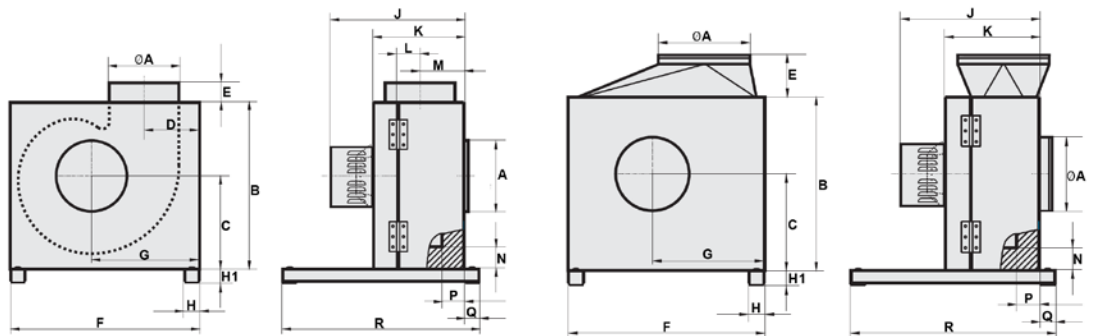
Impellers - Galvanised steel forward curved impellers for fans up to 280mm diameter, High performance aluminium backward curved from 315mm diameter. Impellers and hubs are dynamically balanced together to G2.5 to DIN1940 standard.

Electrical connection - Nominal voltage is indicated on the type shield, tolerance +/- 10%.

Air Performance Curves - Axair can supply airflow curves for each reference detailing curves at various voltages.

Noise levels & Wiring diagram - Available on request.

Dimensions



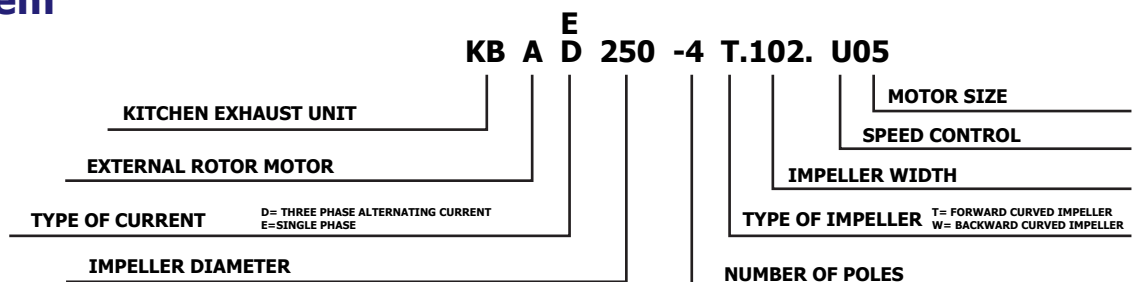
Drawing 1

Drawing 2

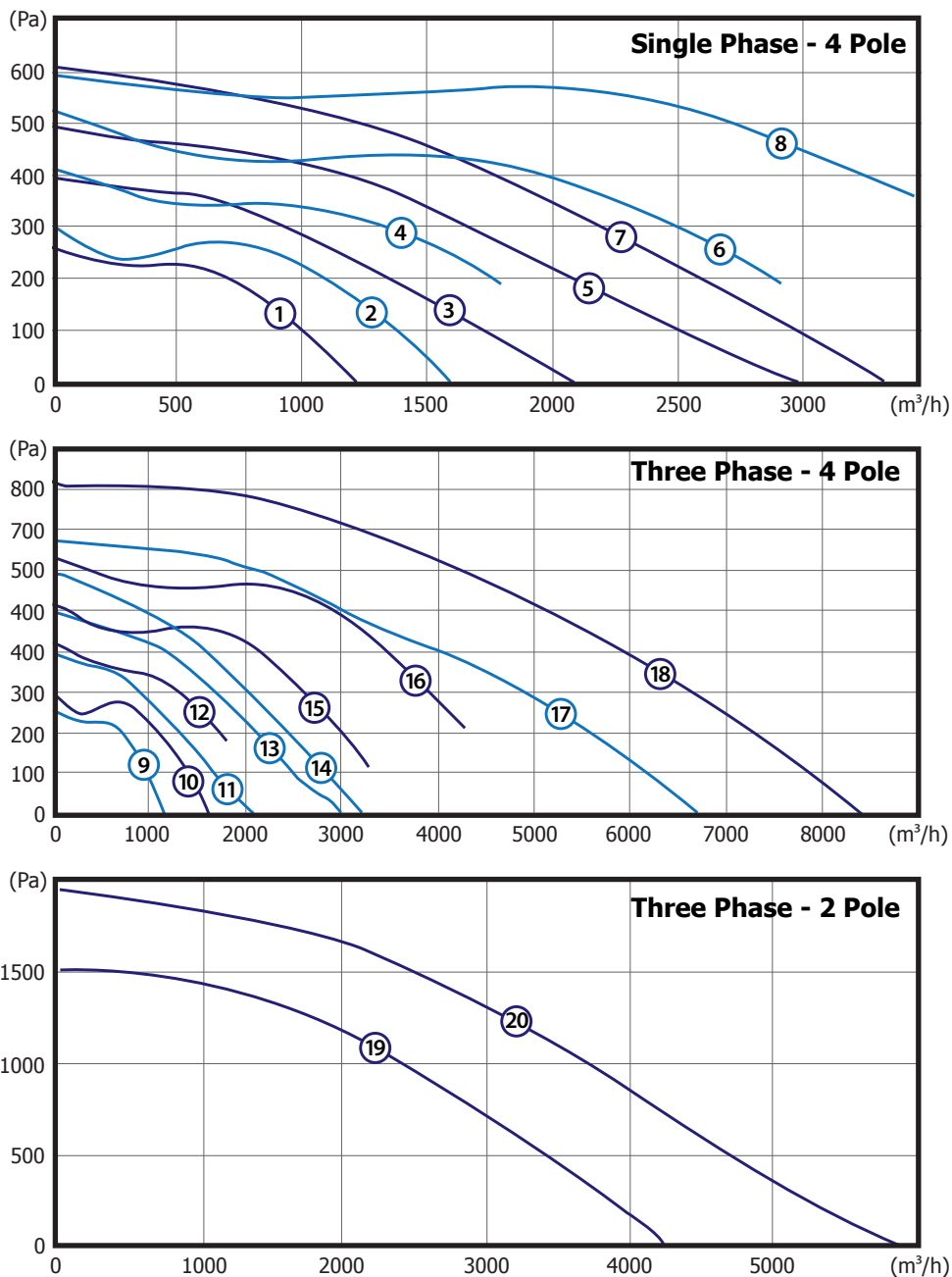
All measurements in mm

Model	Drawing No.	A	B	C	D	E	F	G	H	H1	J	K	L	M	N	P	Q	R
KBAE/D 180-4	1	200	412	230	134.4	45/60	470	269	38	29	362	221	60	106.5	50	50	35	450
KBAE/D 200-4	1	200	445	249	142.7	45/60	510	292	38	29	373	232	60	113	50	50	35	450
KBAE/D 225-4	1	225	445	256	146.5	45/60	522	301	38	29	413	251	60	122.5	50	50	35	600
KBAE/D 250-4	1	250	500	282	161.5	45/60	576	333	38	29	461	272	60	132.5	50	50	35	600
KBAE 280-4	1	280	537	295	171.5	45/60	625	360	38	29	480	291	60	142.5	50	50	35	600
KBAD 315-2	1	315	600	339	187.5	45/60	690	398	38	29	496	307	60	153.5	50	50	35	800
KBAE/D 315-4	1	315	600	339	187.5	45/60	690	398	38	29	448	307	60	153.5	50	50	35	800
KBAD 355-2	1	355	665	372	206.7	45/60	770	451	38	29	520	331	60	162.5	50	50	35	800
KBA/D 355-4	1	355	665	372	206.7	45/60	770	451	38	29	472	331	60	162.5	50	50	35	800
KBAE/D 400-4	1	355	665	372	206.7	45/60	770	451	38	29	492	331	60	162.5	50	50	35	800
KBAD 450-4	2	400	800	450	-	280	900	511	38	29	603	415	-	-	50	50	35	800
KBAD 500-4	2	400	800	450	-	280	900	511	38	29	603	415	-	-	50	50	35	800

Coding System



Performance Characteristics (50Hz)



Technical Data

Model	Article No.	Voltage	Speed	Max. Current	Motor Rating	Max. Flow Rate	Minimum Pressure	Motor Protection	Max. Air Temp.	Weight	Curve
		V	rpm	A	kW	m³/h	Pa (Pt)		°C	Kg	
KBAE 180-4	B21-18017	230	1390	1.25	0.24	1230	75	IP54	100	31.5	1
KBAD 180-4	B21-18012	400	1340	0.5	0.22	1170	70	IP54	100	31.5	9
KBAE 200-4	B21-20017	230	1353	1.45	0.31	1595	125	IP54	100	31.5	2
KBAD 200-4	B21-20012	400	1320	0.8	0.37	1630	130	IP54	100	31.5	10
KBAE 225-4	B21-22517	230	1290	2.2	0.49	1790	160	IP54	90	37	4
KBAD 225-4	B21-22512	400	1240	0.9	0.42	1815	150	IP54	100	37	12
KBAE 250-4	B21-25017	230	1360	5.5	1.10	2915	180	IP54	100	56	6
KBAD 250-4	B21-25012	400	1410	2.7	1.18	3315	100	IP54	100	56	15
KBAE 280-4	B21-28017	230	1320	6.4	1.40	3450	340	IP21	100	64	8
KBAD 280-4	B21-28012	400	1350	3.3	1.75	4300	200	IP54	100	64	16
KBAD 315-2	B21-31522	400	2795	2.3	1.30	4270	0	IP54	100	77	19
KBAE 315-4	B21-31517	230	1420	1.1	0.20	2100	0	IP54	100	67	3
KBAD 315-4	B21-31512	400	1400	0.41	0.16	2090	0	IP54	100	67	11
KBAD 355-2	B21-35522	400	2705	3.55	2.06	5950	0	IP21	100	77	20
KBAE 355-4	B21-35517	230	1360	1.37	0.29	3000	0	IP54	100	70	5
KBAD 355-4	B21-35512	400	1380	0.72	0.28	5950	0	IP54	100	70	13
KBAE 400-4	B21-40017	230	1320	2.1	0.45	3170	0	IP54	90	71	7
KBAD 400-4	B21-40012	400	1280	0.88	0.40	3240	0	IP54	100	71	14
KBAD 450-4	B21-45012	400	1380	1.75	0.91	6720	0	IP54	100	92	17
KBAD 500-4	B21-50012	400	1370	3.0	1.55	8400	130	IP54	80	92	18

Accessories

Inline Duct Fans



Mounting Bracket



Back Draught Damper



Fast Clamp



Spigot Guard



Transformer Speed Controller



Filter Box



Flexible Ducting



Electrical Isolator



Gravity Louvre Shutter



Electronic Speed Regulator

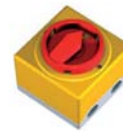
UNOBOX



Speed Controller



Motor Protection Switch



Electrical Isolator



Flexible Connection



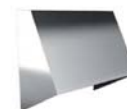
Side Covering



Service Door



Air Damper



Outlet Cover



Weather Protection



Protection Guard

Kitchen Extract



Speed Controller



Motor Protection Switch



Electrical Isolator



Coupling Flange



Flexible Connector



Wall Bracket



AXAIR
FANS UK LIMITED
www.axair-fans.co.uk

Lowfield Drive
Centre 500
Wolstanton
Newcastle-Under-Lyme
ST5 0UU

Tel: 01782 349430
Fax: 01782 349439
Email: sales@axair-fans.co.uk
