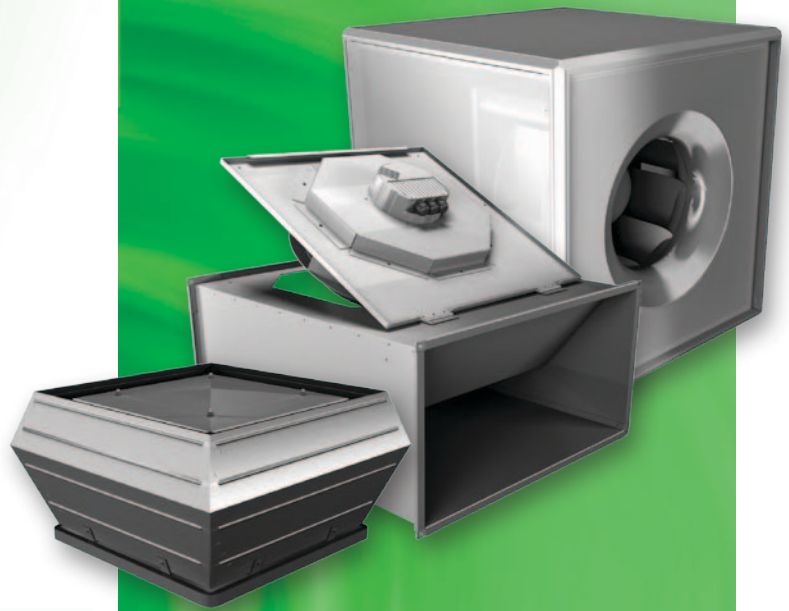


# EC Fans

## Commercial Range



**AXAIR**  
FANS UK LIMITED  
[www.axair-fans.co.uk](http://www.axair-fans.co.uk)

2012 Edition

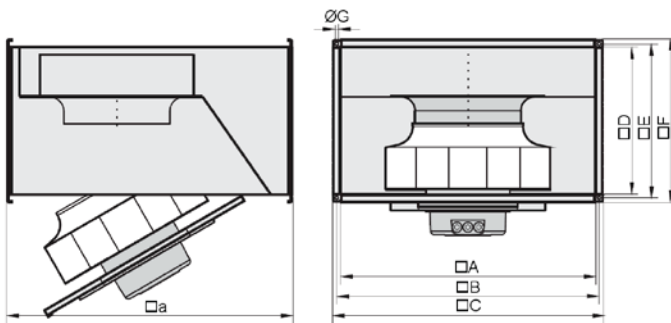
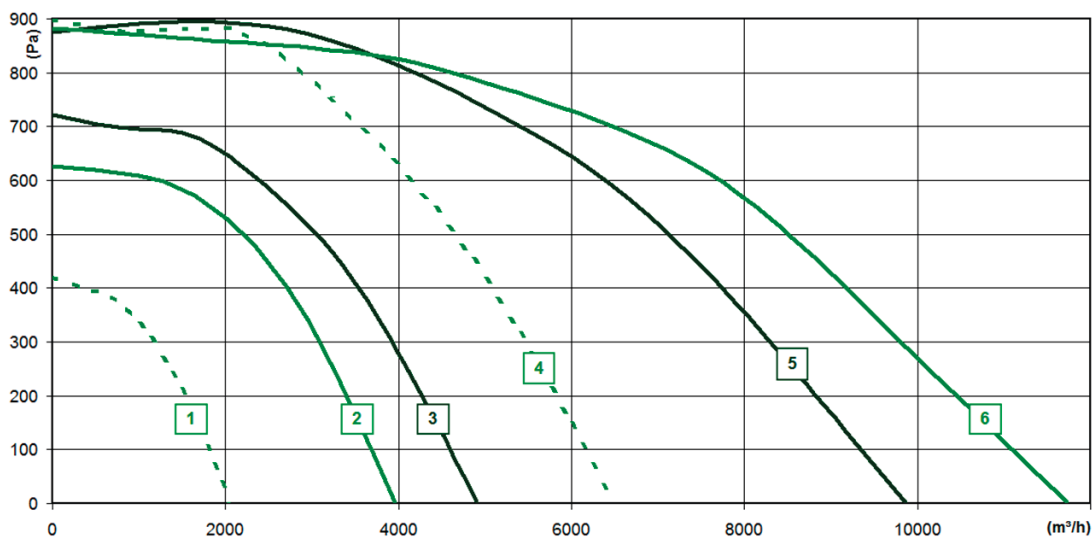


# EC Duct fans

## Backward Curved Impellers - Swing out

The Rosenberg range of rectangular duct fans are fitted with EC backward curved motorised impellers for high pressure stability, low noise level and high efficiency. Air inlet and outlet spigots are industry standard. Mounting can be done in any direction. The motorised impellers are fitted on an access door for easy inspection and maintenance. Versions with sound absorbing casing are available on request.

Model	Impeller Diameter (mm)	Voltage (V)	Input Power (kW)	Maximum Current (A)	Maximum Airflow (m <sup>3</sup> /h)	Speed (RPM)	Max. Air Temperature (°C)	Motor Protection	Weight (Kg)	Curve
<b>KHAG 315.4EA W</b>	315	1~230V (50Hz)	0.21	1.30	2050	1650	50	IP54	27.00	1
<b>KHAG 355.5FA W</b>	355	3~400V (50Hz)	0.60	1.06	3950	1800	60	IP54	36.00	2
<b>KHAG 400.5FA W</b>	400	3~400V (50Hz)	0.80	1.45	4900	1700	50	IP54	36.50	3
<b>KHAG 450.5HF W</b>	450	3~400V (50Hz)	1.30	2.40	6500	1700	50	IP54	55.00	4
<b>KHAG 500.6FF W</b>	500	3~400V (50Hz)	2.00	3.10	9900	1500	40	IP54	78.00	5
<b>KHAG 560.6IF W</b>	560	3~400V (50Hz)	2.40	3.80	11700	1400	50	IP54	91.00	6



Dimensions (mm)	A	B	C	D	E	F	G	a
<b>RRED7 192x40R</b>	192	40	60	132	70	17	107.5	115
<b>RRED7 220x45R</b>	220	45	63	159	71	17	107.5	115
<b>RRED7 225x63R</b>	225	63	90	159	99	17	107.5	115
<b>RREL4 250x56R</b>	252	56	84.3	172	99	39.5	125	133
<b>RREL4 280x80R</b>	281	80	111.4	191	126	39.5	125	133
<b>RREL4 315x101R</b>	315	101	127	202	152.5	39.5	125	133

## Accessories

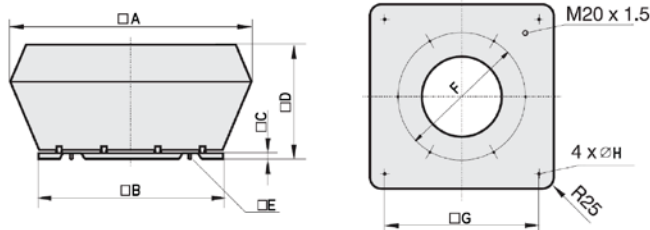
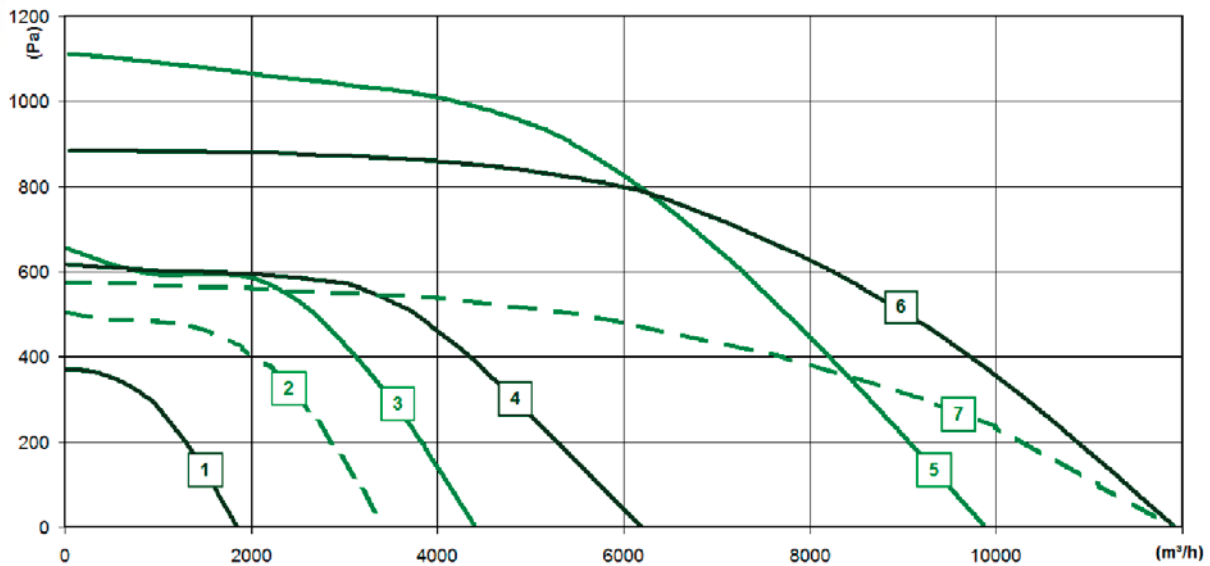


# EC Roof fans

## Backward curved impellers

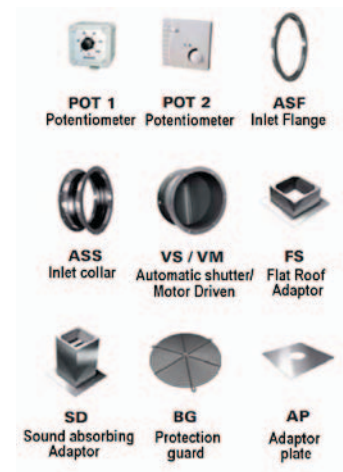
The Rosenberg range of EC roof fans are fitted with EC backward curved motorised impellers, and have vertical air outlet. They are suitable for mounting on flat or shaped roof. Casing are made of aluminium. The EC range of DV duct fans are fitted with integrated pressure sensors and an on/off switch. Some versions are available in Single phase 230Volts (50Hz), Please contact us for details.

Model	Impeller Diameter (mm)	Voltage (V)	Input Power (kW)	Maximum Current (A)	Maximum Airflow (m <sup>3</sup> /h)	Speed (RPM)	Max. Air Temperature (°C)	Motor Protection	Weight (Kg)	Curve
<b>DV 310L-G.4EA</b>	310	1~230V (50Hz)	0.18	1.12	1850	1650	60	IP54	15.00	1
<b>DV 355-G.5FA</b>	355	3~400V (50Hz)	0.44	0.90	3200	1650	60	IP54	28.00	2
<b>DV 400-G.5FA</b>	400	3~400V (50Hz)	0.71	1.70	4400	1700	55	IP54	29.00	3
<b>DV 450-G.5HF</b>	450	3~400V (50Hz)	0.95	1.85	6200	1500	55	IP54	36.00	4
<b>DVW 500-G.6IF</b>	500	3~400V (50Hz)	2.75	4.30	9900	1750	50	IP54	67.00	5
<b>DVW 560-G.6IF</b>	560	3~400V (50Hz)	2.50	3.90	11900	1400	40	IP54	69.00	6
<b>DVW 630-G.6IF</b>	630	3~400V (50Hz)	1.75	2.90	11800	1000	40	IP54	69.00	7



Dimensions (mm)	A	B	C	D	E	F	G	H
<b>DV 310L-G.4EA</b>	560	435	M6	30	330	286	330	10
<b>DV 355-G.5FA</b>	720	595	M6	30	400	438	450	12
<b>DV 400-G.5FA</b>	720	595	M6	30	400	438	450	12
<b>DV 450-G.5HF</b>	900	665	M6	30	450	438	535	12
<b>DVW 500-G.6IF</b>	900	665	M6	30	450	438	535	12
<b>DVW 560-G.6IF</b>	1150	939	M8	30	570	605	750	14
<b>DVW 630-G.6IF</b>	1150	939	M8	30	570	605	750	14

## Accessories



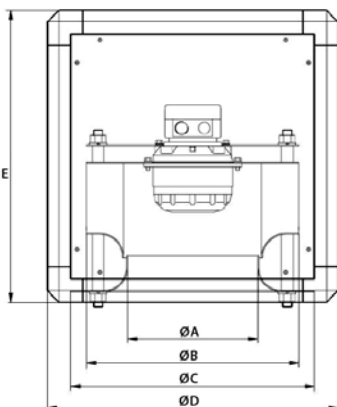
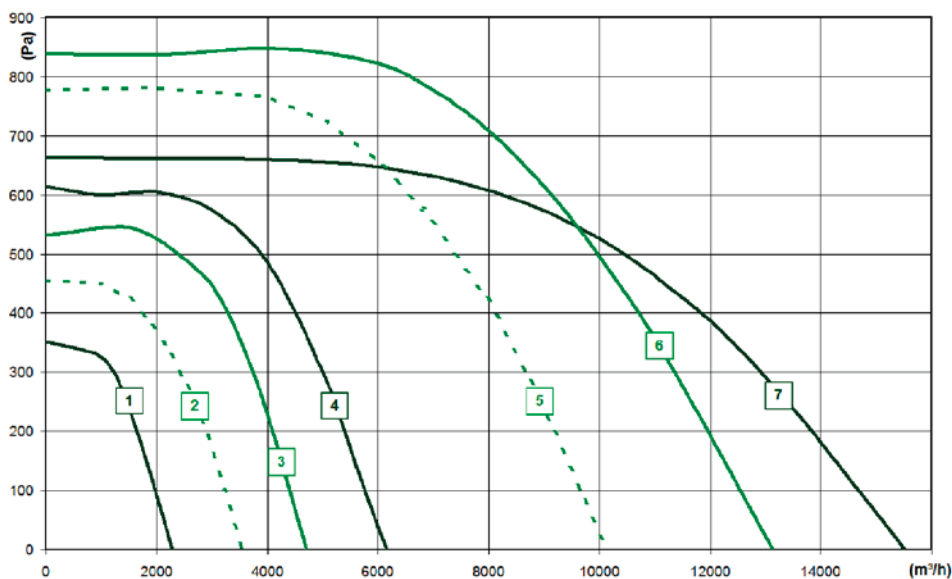


# EC UNOBOX

## Backward curved impellers

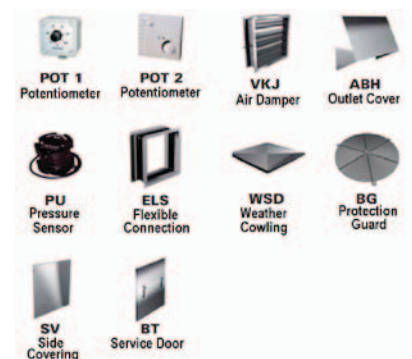
The Rosenberg range of UNOBOX is designed to handle large volumes of air. Typical applications include commercial, retail or industrial premises, commercial kitchens and garages. The double-skin aluminium structure limits the formation of condensation. Air discharge can be done in any direction, just by removing side panels. The Unobox principle is a complete system with minimal operating costs thanks to EC technology

Model	Impeller Diameter (mm)	Voltage (V)	Input Power (kW)	Maximum Current (A)	Maximum Airflow (m <sup>3</sup> /h)	Speed (RPM)	Max. Air Temperature (°C)	Motor Protection	Weight (Kg)	Curve
<b>UNO 50-310-G.4EA</b>	310	1~230V (50Hz)	0.19	1.19	2270	1650	60	IP54	28,00	1
<b>UNO 50-355-G.4FF</b>	355	1~230V (50Hz)	0.38	2.30	3600	1550	45	IP54	31,50	2
<b>UNO 67-400-G.5FA</b>	400	3~400V (50Hz)	0.68	1.30	4700	1600	55	IP54	47,00	3
<b>UNO 67-450-G.5FA</b>	450	3~400V (50Hz)	0.90	1.70	6300	1500	55	IP54	53,00	4
<b>UNO 80-500-G.6FF</b>	500	3~400V (50Hz)	2.00	3.15	10100	1500	40	IP54	84,00	5
<b>UNO 80-560-G.6IF</b>	560	3~400V (50Hz)	2.55	4.00	13100	1400	40	IP54	86,00	6
<b>UNO 102-630-G-</b>	630	3~400V (50Hz)	2.45	3.80	15300	1100	40	IP54	102,00	7



Dimensions (mm)	A	B	C	D	E
<b>UNO 50-310-G.4EA</b>	193	316	450	500	500
<b>UNO 50-355-G.4FF</b>	224	365	450	500	500
<b>UNO 67-400-G.5FA</b>	253	404	620	670	670
<b>UNO 67-450-G.5FA</b>	286	454	620	670	670
<b>UNO 80-500-G.6FF</b>	321	504	720	800	800
<b>UNO 80-560-G.6IF</b>	361	570	720	800	800
<b>UNO 102-630-G-6IF</b>	407	634	940	1020	1020

## Accessories



### AXAIR FANS UK Ltd

Lowfield Drive - Centre 500 - Wolstanton - Newcastle-u-Lyme - ST5 0UU

Tel : 01782 349430 - Fax : 01782 349439

Email : sales@axair-fans.co.uk Visit our website : www.axair-fans.co.uk