

Low Pressure Centrifugal Fans Inch Blowers



AXAIR
FANS UK LIMITED
www.axair-fans.co.uk

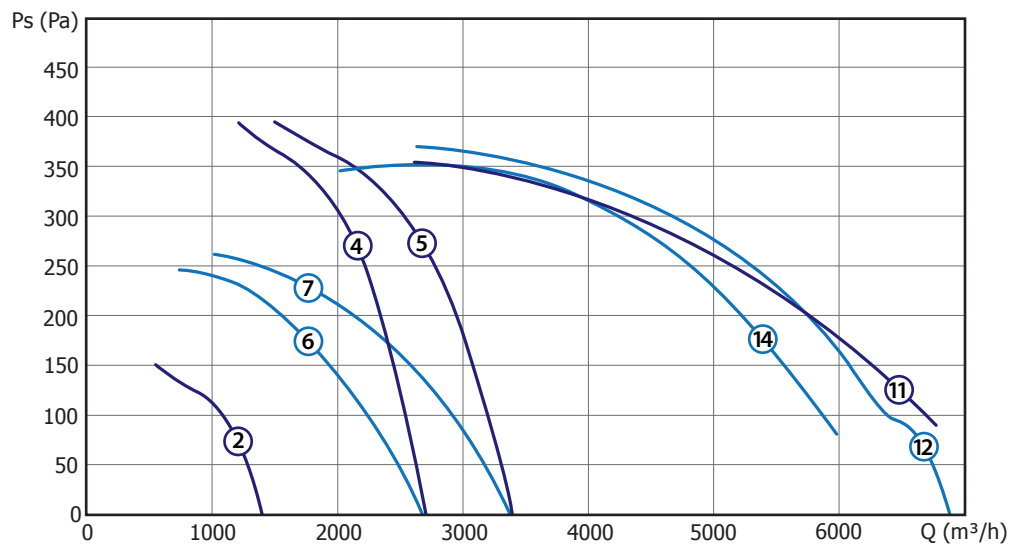
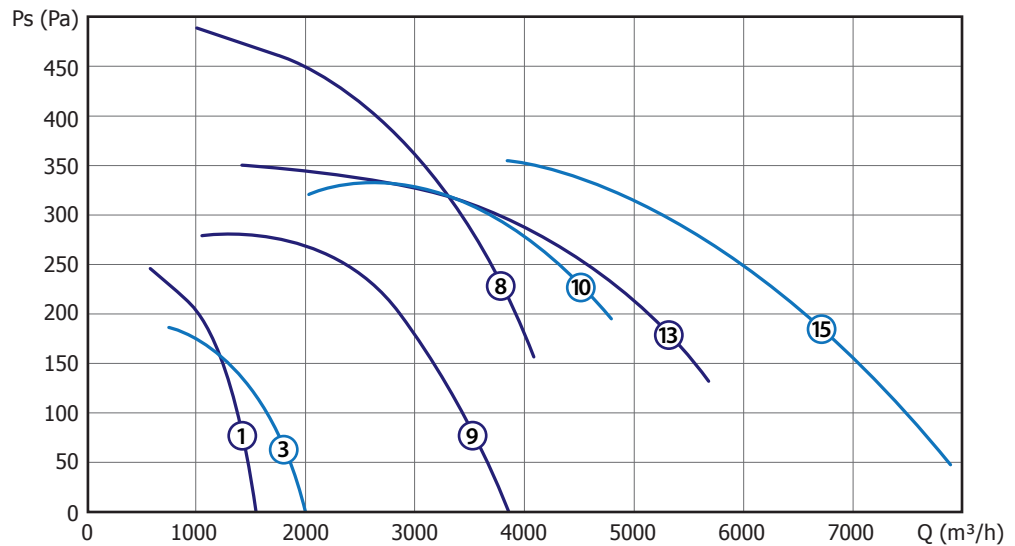
2012 Edition



Technical Data

Model	Size	Speed	Maximum Current (A)		Starting Current (A)		Motor Rating	Max. Flow Rate	Sound Level	Max. Air temp.	Weight	Curve	ErP Compliance	
			230V	400V	230V	400V							2013	2015
BD 19/19 M4 1/5	7/7	1300	1,85	-	3,00	-	0,15	1550	60	50	7,50	1	OK	NOK
BD 19/19 M6 1/10	7/7	860	1,03	-	2,50	-	0,08	1400	52	50	7,30	2	Na	Na
BD 25/20 M6 1/5	9/7	850	1,69	-	4,00	-	0,15	2000	57	50	12,00	3	OK	NOK
BD 25/20 M4 1/2	9/7	1350	2,83	-	11,00	-	0,37	2720	62	50	13,00	4	OK	OK
BD 25/25 M4 1/2	9/9	1350	2,83	-	10,00	-	0,37	3400	64	50	14,80	5	OK	OK
BD 25/25 M6 1/3	9/9	900	2,33	-	5,00	-	0,25	2700	62	50	14,70	6	OK	NOK
BD 28/21 M6 1/3	10/8	900	2,33	-	5,00	-	0,25	3400	64	50	14,90	7	OK	NOK
BD 28/28 M4 3/4	10/10	1350	4,86	-	16,00	-	0,55	4100	66	50	16,50	8	OK	OK
BD 28/28 M6 1/2	10/10	890	3,33	-	8,00	-	0,37	3900	64	50	16,00	9	OK	NOK
BD 33/25 M6 3/4	12/9	860	4,93	-	16,00	-	0,55	4800	67	50	20,00	10	OK	NOK
BD 33/33 M6 1	12/12	840	6,86	-	21,00	-	0,75	6800	67	50	25,50	11	OK	NOK
BD 33/25 T6 1.5	12/9	960	6,54	3,78	-	18,00	1,10	6900	65	50	22,00	12	OK	OK
BD 33/33 M6 3/4	12/12	860	4,93	-	16,00	-	0,55	5700	67	50	25,00	13	OK	OK
BD 33/25 M6 1	12/9	840	6,86	-	20,00	-	0,75	6000	67	50	21,00	14	OK	OK
BD 33/33 M6 1.5	12/12	860	9,26	-	29,00	-	1,10	7900	69	50	28,00	15	OK	NOK
BD 33/33 T6 1.5	12/12	960	6,54	3,78	-	18,00	1,10	7900	68	50	26,00	15	OK	NOK

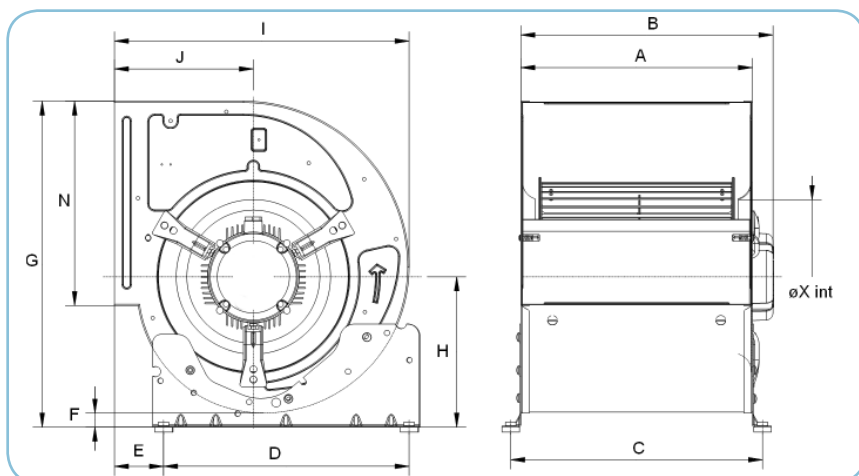
Airflow Characteristics



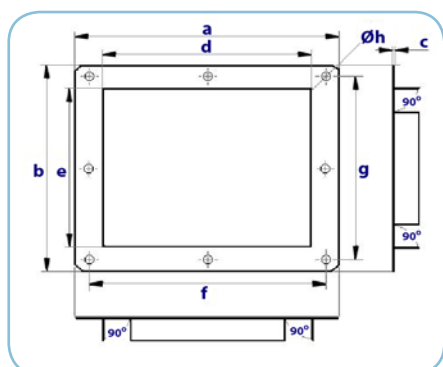
Dimensions (mm)

Model	A	B	C	D	E	F	G	H	I	J	K	X
BD 19/19 M4 1/5	230	297	259	245	48.5	9.5	337	150	316	153	208	158
BD 19/19 M6 1/10	230	297	259	245	48.5	9.5	337	150	316	153	208	158
BD 25/20 M6 1/5	233	305	262	245	69.5	19	407	191	376	184	260	200
BD 25/20 M4 1/2	233	305	262	245	69.5	19	407	191	376	184	260	200
BD 25/25 M4 1/2	301	350	330	245	69.5	19	407	191	376	184	260	200
BD 25/25 M6 1/3	301	350	330	245	69.5	19	407	191	376	184	260	200
BD 28/21 M6 1/3	265	342	294	350	70	20	464	214	420	198	291	220
BD 28/28 M4 3/4	329	370.5	359	350	70	20	464	214	420	198	291	220
BD 28/28 M6 1/2	329	369.5	359	350	70	20	464	214	420	198	291	220
BD 33/25 M6 3/4	310	380	339	350	77	17	536	244	490	230	343.5	260
BD 33/25 M6 1	310	380	339	350	77	17	536	244	490	230	343.5	260
BD 33/25 T6 1.5	310	380	339	350	77	17	536	244	490	230	343.5	260
BD 33/33 M6 3/4	396	436	425	350	77	17	536	244	490	230	343.5	260
BD 33/33 M6 1	396	436	425	350	77	17	536	244	490	230	343.5	260
BD 33/33 M6 1.5	396	436	425	350	77	17	536	244	490	230	343.5	260
BD 33/33 T6 1.5	396	486	425	350	77	17	536	244	490	230	343.5	260

Dimensions BD



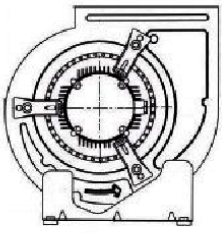
Flange Dimensions



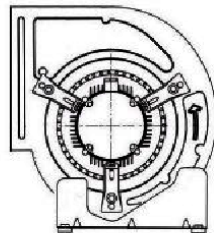
Code	a	b	c	d	e	f	g	h
Flange 19/19	293	272	1.5	231	209	263	242	10
Flange 25/20	296	321	1.5	236	261	266	291	10
Flange 25/25	360	321	1.5	304	265.5	330	291	10
Flange 28/21	324	351	2	264	291	294	321	10
Flange 28/28	389	351	2	329	291	359	321	10
Flange 33/25	370	401	2	310	341	340	371	10
Flange 33/33	455	400	2	395	340	425	370	10



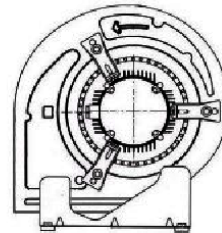
Handings



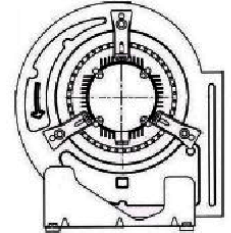
LG 0



LG 90



LG 180



LG 270

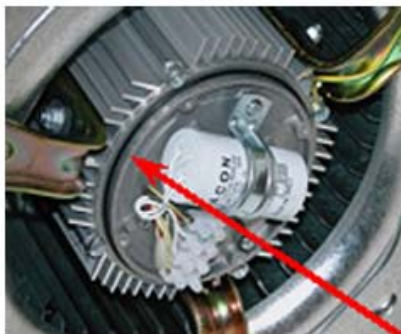
Features



Terminal & capacitor cover



Anti-vibration grommet



IP65 'O' ring seal



Anti-vibration pad

Standard Feature BD Range

- High quality double inlet centrifugal fans.
- Galvanised steel scroll.
- Galvanised steel or plastic impeller.
- All motors are thermo-contact overheat protected.
- Dust & hosed water protected to IP55 standard.
- Impellers balanced to VDI 2060 Grade 6,3.
- AV mountings at the motor and on the scroll feet.
- Discharge flanges available to order.
- Standard fans are speed controllable by voltage variation.
- 3 speed tapped winding models also available.
- Maximum air temperature +55°C.



AXAIR FANS UK Ltd

Lowfield Drive - Centre 500 - Wolstanton - Newcastle-u-Lyme - ST5 0UU

Tel : 01782 349430 - Fax : 01782 349439

Email: sales@axair-fans.co.uk Visit our website : www.axair-fans.co.uk

All specifications, data and drawings are subject to alterations without prior notice.