

# Standard Frame Axial Fans Quick Reference Guide



**AXAIR**  
FANS UK LIMITED  
[www.axair-fans.co.uk](http://www.axair-fans.co.uk)

2012 Edition

# ...About Axair Fans UK

## Application Knowledge:

Over 20 years experience in general air movement; including corrosive, explosive and hot fume handling.

## Stock Facility:

Large modern warehouse facility containing a vast selection of fans, fan components and general accessories.

## Customised Build:

Fans assembled from standard components to create the perfect mechanical and electrical solution to safe fume extraction.

## Customer Care:

Experience a sense of partnership with Axair Fans.



Lowfield Drive - Centre 500 - Wolstanton - Newcastle-Under-Lyme - ST5 0UU  
 Tel: 01782 349430 Fax: 01782 349439  
 Email: sales@axair-fans.co.uk  
 www.axair-fans.co.uk

All specifications, data and drawings are subject to alterations without prior notice

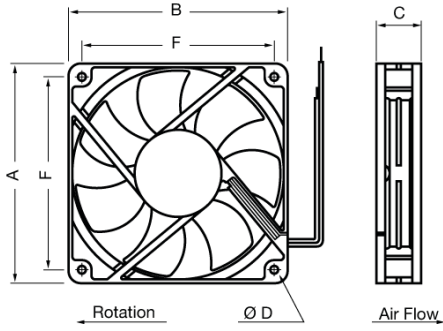
# Axial Fan Model Referencing System

description	A	12	B	23	H	T	B	W	00	description
<b>MOTOR TYPE</b> A = a.c. shaded pole motor C = a.c. capacitor run induction motor D = d.c. brushless										<b>OPTIONS</b> 00 = no option A = alarm output S = speed signal output I = variable speed with integrated thermistor V = variable speed with external thermistor M = digital PWM speed control T = for high temperature ambient F = motor IP55 protected H = motor IP25 protected Wnn = wires length out of standard Qnn = special version
<b>CASING SIZE</b> 01 = 15x15 mm axial fan 20 = 20x20 mm axial fan 02 = 25x25 mm axial fan 03 = 30x30 mm axial fan 35 = 35x35 mm axial fan 04 = 40x40 mm axial fan 45 = 45x45 mm axial fan 50 = 50x50 mm axial fan 06 = 60x60 mm axial fan 07 = 70x70 mm axial fan 08 = 80x80 mm axial fan 09 = 92x92 mm axial fan 12 = 120x120 mm axial fan 13 = 127x127 mm axial fan 17 = 172x150 mm axial fan 18 = ø 172 mm axial fan 22 = 218x218 mm axial fan 25 = 280x280 mm axial fan C1 = 120x120 mm blower C6 = 75x75 mm blower										<b>DESIGN</b> <b>BEARING TYPE</b> B = shielded ball S = sleeve <b>CONNECTION</b> K = terminals block T = flat terminals 110 series (2.8x0.5 mm) W = lead wire <b>SPEED</b> E = extra low V = very low L = low M = medium H = high S = super high <b>RATED VOLTAGE</b> 01 = 5 V d.c. 12 = 115 V a.c. 04 = 12 V d.c. 23 = 230 V a.c. 05 = 24 V d.c. 40 = 400 V a.c. 3 phase 07 = 48 V d.c.
<b>CASING THICKNESS</b> N = 6,5 mm E = 10 mm F = 15 mm D = 20 mm A = 25 mm G = 30-32 mm B = 38 mm standard flow R = 38 mm reverse flow C = 50-52 mm M = 55 mm S = 83 mm W = without casing, standard flow Z = without casing, reverse flow										

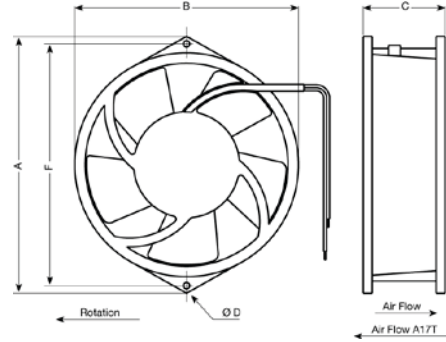
# Drawings

## AC and DC Frame fans drawings

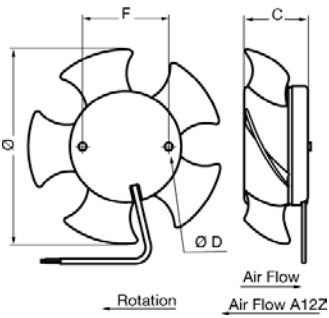
Drawing 1



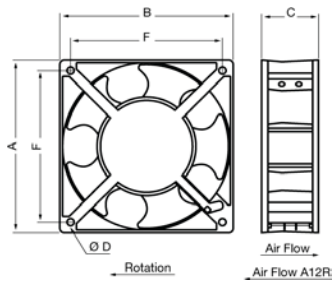
Drawing 2



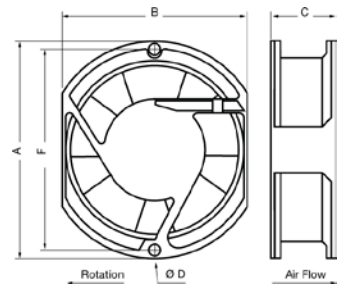
Drawing 3



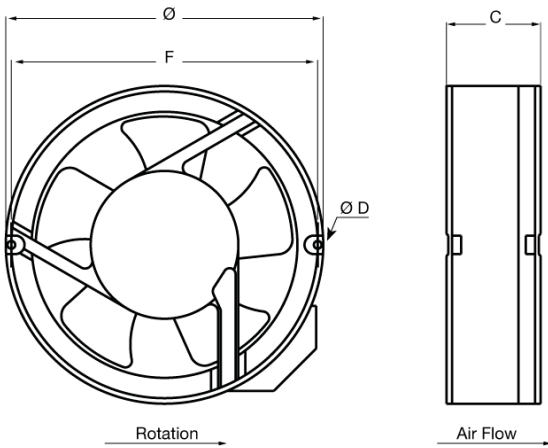
Drawing 4



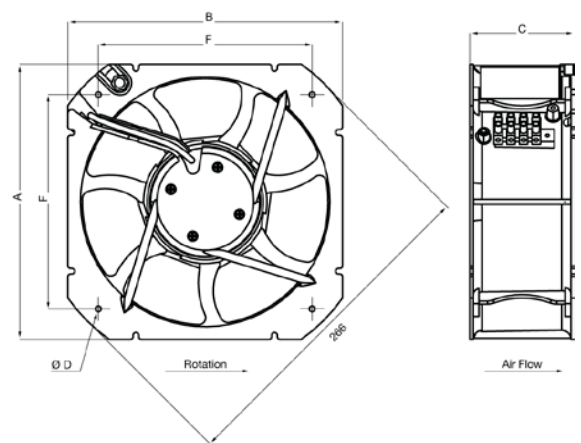
Drawing 5



Drawing 6



Drawing 7



# AC Frame Fans

AC Frame Fans				
<b>Casing</b>	Black die cast aluminium alloy		<b>Motor</b>	Shaded pole or capacitor run
<b>Impeller</b>	Fibreglass reinforced PBT or PA, self extinguishing UL 94V-0		<b>Motor Protection</b>	By Impedance or thermally
Operating temperature				
Ball bearings	-40°C ... +70°C		Sleeve bearings	-10°C ... +60°C
Lifetime L10 at 65% RH				
Ball bearings	40,000hrs at 40°C 20,000hrs at T max		Sleeve bearings	30,000hrs at 40°C 15,000hrs at T max
<b>Options</b>	IP55 protected, high temperature resistant, bi-directional flow, fans with steel impeller, special voltages			

Model	Dimensions AxBxC	Holes		Draw.	Bearings Options "X"		Rated Voltage	Rated Power	Max Air Flow	Static Pressure	Noise	Rated Speed	Approvals			
		F	ØD		No.	Sleeve							Ball	(V a.c)	(W)	(m³/h)
<b>A06G12HWBF00</b>	60x60x30	50	4.3	1		o	115	5/4	14/17	18/27	27.0/28.0	2,550/3,100	A	A		
<b>A06G23HWBF00</b>	60x60x30	50	4.3	1		o	230	5/4	14/17	18/27	27.0/28.0	2,550/3,100	A	A		
<b>A08A12SWXY00</b>	80x80x25	71	4.3	1	o	o	115	9.0/8.0	35/40	35/50	33.0/35.0	2,600/3,100				
<b>A08A12HWXF00</b>	80x80x25	71.5	4.3	1	o	o	115	16/14	30/36	31/44	32.0/35.0	2,400/3,000	A	A		
<b>A08A12MWXF00</b>	80x80x25	71.5	4.3	1	o	o	115	16/14	28/34	24/38	29.0/34.0	2,200/2,800	A	A		
<b>A08A23SWXY00</b>	80x80x25	71	4.3	1	o	o	230	9.0/8.0	35/40	35/50	33.0/35.0	2,600/3,100	A	A		
<b>A08A23HWXF00</b>	80x80x25	71.5	4.3	1	o	o	230	16/14	30/36	31/44	32.0/35.0	2,400/3,000	A			
<b>A08A23MWXF00</b>	80x80x25	71.5	4.3	1	o	o	230	16/14	28/34	24/38	29.0/34.0	2,200/2,800	A		A	
<b>A08B12SWXY00</b>	80x80x38	71.5	4.3	1	o	o	115	9.0/8.0	46/54	38/52	34.0/38.0	2,700/3,100				
<b>A08B12HWXF00</b>	80x80x38	71.5	4.3	1	o	o	115	14/12	41/48	40/50	32.0/36.0	2,500/3,000	A	A		
<b>A08B12MWXF00</b>	80x80x38	71.5	4.3	1	o	o	115	14/12	36/43	22/31	29.0/33.0	2,100/2,500	A	A		
<b>A08B12LWXF00</b>	80x80x38	71.5	4.3	1	o	o	115	14/12	33/42	18/29	27.0/32.0	1,900/2,400	A	A		
<b>A08B23SWXY00</b>	80x80x38	71.5	4.3	1	o	o	230	9.0/8.0	46/54	38/52	34.0/38.0	2,700/3,100	A	A		
<b>A08B23HWXF00</b>	80x80x38	71.5	4.3	1	o	o	230	14/12	40/50	35/55	32.0/36.0	2,500/3,000	A		A	
<b>A08B23MWXF00</b>	80x80x38	71.5	4.3	1	o	o	230	14/12	36/43	22/31	29.0/33.0	2,100/2,500	A		A	
<b>A08B23LWXF00</b>	80x80x38	71.5	4.3	1	o	o	230	14/12	33/42	18/29	27.0/32.0	1,900/2,400	A		A	
<b>A09A12STXY00</b>	92x92x25	82.5	4.3	4	o	o	115	12/9.0	55/66	50/72	34.0/38.0	2,700/3,250				
<b>A09A12HTXF00</b>	92x92x25	82.5	4.3	4	o	o	115	16/14	50/69	45/66	32.0/36.0	2,400/2,800	A	A		
<b>A09A12MTXF00</b>	92x92x25	82.5	4.3	4	o	o	115	16/14	43/55	29/45	29.0/33.0	2,050/2,400	A	A		
<b>A09A23STXY00</b>	92x92x25	82.5	4.3	4	o	o	230	12/9.0	55/66	50/72	34.0/38.0	2,700/3,250				
<b>A09A23HTXF00</b>	92x92x25	82.5	4.3	4	o	o	230	16/14	50/69	45/66	32.0/36.0	2,400/2,800	A		A	
<b>A09A23MTXF00</b>	92x92x25	82.5	4.3	4	o	o	230	16/14	43/55	29/45	29.0/33.0	2,050/2,400	A		A	
<b>A09B12SWXY00</b>	92x92x38	82.5	4.3	1	o	o	115	13/12	76/89	51/66	38.0/43.0	2,800/3,300				
<b>A09B12HWXY00</b>	92x92x38	82.5	4.3	1	o	o	115	9.0/8.0	64/76	37/50	33.0/38.0	2,400/2,800				
<b>A09B23SWXY00</b>	92x92x38	82.5	4.3	1	o	o	230	13/12	76/89	51/66	38.0/43.0	2,800/3,300				
<b>A09B23HWXY00</b>	92x92x38	82.5	4.3	1	o	o	230	9.0/8.0	64/76	37/50	33.0/38.0	2,400/2,800				



# AC Frame Fans

Model	Dimensions AxBxC	Holes		Draw.	Bearings Options "X"		Rated Voltage	Rated Power	Max Air Flow	Static Pressure	Noise	Rated Speed	Approvals			
		F	ØD		No.	Sleeve							Ball	(V a.c)	(W)	(m <sup>3</sup> /h)
<b>A12A12STXY00</b>	120x120x25	104	4.3	4	o	o	115	12/11	110/130	66/91	39.0/44.0	2,600/3,100				
<b>A12A12HTXF00</b>	120x120x25	104.8	4.3	4	o	o	115	16/14	100/118	52/53	38.0/42.0	2,200/2,500	A	A		
<b>A12A12MTXF00</b>	120x120x25	104.8	4.3	4	o	o	115	16/14	90/95	26/28	32.0/33.0	1,900/2,000	A	A		
<b>A12A23STXY00</b>	120x120x25	104	4.3	4	o	o	230	12/11	110/130	66/91	39.0/44.0	2,600/3,100				
<b>A12A23HTXF00</b>	120x120x25	104.8	4.3	4	o	o	230	16/14	100/118	52/53	38.0/42.0	2,200/2,500	A		A	
<b>A12A23MTXF00</b>	120x120x25	104.8	4.3	4	o	o	230	16/14	90/95	26/28	32.0/33.0	1,900/2,000	A		A	
<b>A12B05HTXW00</b>	119x119x38	104.8	4.3	4	o	o	24	15/16	150/167	66/82	41.0/44.5	2,650/2,950				
<b>A12B12STXW00</b>	119x119x38	104.8	4.3	4	o	o	115	22/20	165/183	82/95	42.0/46.0	2,700/3,100	A	A	A	
<b>A12B12HTXW00</b>	119x119x38	104.8	4.3	4	o	o	115	20/18	144/167	62/75	40.5/44.5	2,550/2,900	A	A	A	
<b>A12B12MTXW00</b>	119x119x38	104.8	4.3	4	o	o	115	16/16	130/142	50/52	39.2/41.0	2,400/2,600	A	A	A	
<b>A12B12VTXW00</b>	119x119x38	104.8	4.3	4	o	o	115	10/10	98/105	28/28	34.0/35.0	1,850/1,900	A	A	A	
<b>A12R12HTXW00</b>	119x119x38	104.8	4.3	4	o	o	115	19/18	140/155	62/75	42.0/45.0	2,600/2,950	A	A	A	
<b>A12B12ETxW00</b>	119x119x38	104.8	4.3	4	o	o	115	6.5/6.0	83/81	19/16	28/27.5	1500/1456				
<b>A12B23HTXW00</b>	119x119x38	104.8	4.3	4	o	o	230	20/19	144/167	62/75	40.5/44.5	2,550/2,900	A	A	A	
<b>A12B23MTXW00</b>	119x119x38	104.8	4.3	4	o	o	230	16/15	130/142	50/52	39.2/41.0	2,400/2,600	A	A	A	
<b>A12B23LTXW00</b>	119x119x38	104.8	4.3	4	o	o	230	10/10	122/115	35/32	36.8/39.0	2,150/2,300	A	A	A	
<b>A12B23VTXW00</b>	119x119x38	104.8	4.3	4	o	o	230	10/10	98/105	28/28	34.0/35.0	1,850/1,900	A	A	A	
<b>A12B23ETXW00</b>	119x119x38	104.8	4.3	4	o	o	230	6.5/6.0	83/81	19/16	28.0/27.5	1,500/1,450				
<b>A12R23HTXW00</b>	119x119x38	104.8	4.3	4	o	o	230	18/18	140/155	62/75	42.0/45.0	2,600/2,950	A	A	A	
<b>A12W12HWWX00</b>	Ø113x38	45.5	M4	3	o	o	115	20/18	144/167	62/75	40.5/44.5	2,550/2,900				
<b>A12Z12HWWX00</b>	Ø113x38	45.5	M4	3	o	o	115	19/18	140/155	62/75	42.0/45.0	2,600/2,950				
<b>A12W23HWWX00</b>	Ø113x38	45.5	M4	3	o	o	230	20/19	144/167	62/75	40.5/44.5	2,550/2,900				
<b>A12Z23HWWX00</b>	Ø113x38	45.5	M4	3	o	o	230	18/18	140/155	62/75	42.0/45.0	2,600/2,950				
<b>A13B12HTXF00</b>	127x127x38	113.5	4.3	4	o	o	115	14/12	175/204	72/28	46.0/50.0	2,700/3,000				
<b>A13B23HTXF00</b>	127x127x38	113.5	4.3	4	o	o	230	17/15	174/204	72/28	46.0/50.0	2,700/3,000				
<b>C17B12HTBF00</b>	172x150x38	162	4.3	5		o	115	27/28	300/340	150/200	52.0/57.0	2,800/3,300	A	A		
<b>C17B23HTBF00</b>	172x150x38	162	4.3	5		o	230	27/28	300/340	150/200	52.0/57.0	2,800/3,300	A	A		
<b>C17C12HTBF00</b>	172x150x51	162	4.3	5		o	115	29/30	330/380	150/170	53.0/58.0	2,800/3,300	A	A		
<b>C17C23HTBF00</b>	172x150x51	162	4.3	5		o	230	29/30	330/380	150/170	53.0/58.0	2,800/3,300	A	A		
<b>A17C12HWBP00</b>	172x150x51	162	4.3	5		o	115	37/34	300/300	90/70	51.0/51.0	2500/2500	A	A		
<b>A17C23HWBP00</b>	172x150x51	162	4.3	5		o	230	37/34	300/300	90/70	51.0/51.0	2500/2500	A	A		
<b>C18C12HTBF00</b>	Ø172x51	162	4.3	6		o	115	29/30	330/380	150/170	50.0/55.0	2,800/3,300	A	A		
<b>C18C23HTBF00</b>	Ø172x51	162	4.3	6		o	230	29/30	330/380	150/170	50.0/55.0	2,800/3,300	A	A		
<b>C22S12HKBD00</b>	218x218x83	170	4.5	7		o	115	60/75	812/917	224/254	61.0/63.0	2,480/2,630				
<b>C22S23HKBD00</b>	218x218x83	170	4.5	7		o	230	70/85	812/917	224/254	61.0/63.0	2,480/2,630				
<b>C22S40HKBD00</b>	218x218x83	170	4.5	7		o	400	71/93	1,040/1,160	265/300	65.0/67.0	2,745/3,075				

# DC Frame Fans

DC Frame Fans					
<b>Casing</b>	Black fibreglass reinforced PBT self extinguishing UL 94V-0			<b>Motor</b>	Brushless external rotor motor with auto restart
<b>Impeller</b>	Fibreglass reinforced PBT self extinguishing UL 94V-0		<b>Motor Protection</b>	By Impedance and polarity or by integrated circuit against locked rotor motor & polarity inversion	
Operating temperature					
Ball bearings	-20°C ... +70°C			Sleeve bearings	-10°C ... +60°C
Lifetime L10 at 65% RH					
Ball bearings	70,000hrs at 40°C 40,000hrs at T max			Sleeve bearings	50,000hrs at 40°C 35,000hrs at T max
<b>Options</b>	Third wire alarm detecting failure or locked rotor by IC, third wire speed signal detecting failure or abnormal rotation, internal or third wire external thermistor detecting air temperature for speed variation, digital PWM speed control, humidity protection, IP55 protection.				

Model	Dimensions AxBxC	Holes		Draw. No.	Bearings Options "X"		Rated Voltage (V d.c)	Voltage Range (V d.c)	Rated Power (W)	Max Air Flow (m³/h)	Static Pressure (Pa)	Noise [dB(A)]	Rated Speed (Rpm)	Approvals	
		F (mm)	ØD (mm)		Sleeve	Ball								UL	CUL
D04E04HWXT00	40x40x10	32	4.2	1	o	o	12	7...13	1.2	11	25	25.0	6,000	A	A
D04E05HWXT00	40x40x10	32	4.2	1	o	o	24	17...27	2.2	11	25	25.0	6,000	A	A
D04D04HWXZ00	40x40x20	32	3.5	1	o	o	12	7...13	1.2	15	74	31.9	7,800	A	A
D04D05HWXZ00	40x40x20	32	3.5	1	o	o	24	17...27	2.2	15	74	31.9	7,800	A	A
D06F04HWWXA00	60x60x15	50	4.4	1	o	o	12	7...13	1.6	27	36	33.4	4,500	A	A
D06F05HWWXA00	60x60x15	50	4.4	1	o	o	24	17...27	2.2	27	36	33.4	4,500	A	A
D06F05MWWXA00	60x60x15	50	4.4	1	o	o	24	17...27	1.7	24	26	31.2	3,900	A	A
D06A04HWWXA00	60x60x25	50	4.5	1	o	o	12	7...13	2.8	42	49	35.2	4,600	A	
D06A05HWWXA00	60x60x25	50	4.5	1	o	o	24	17...27	3.6	41	44	33.9	4,500	A	
D08D04HWWXA00	80x80x20	71.5	4.5	1	o	o	12	7...13	2.9	49	37	32.4	3,100	A	A
D08D05HWWXA00	80x80x20	71.5	4.5	1	o	o	24	17...27	3.6	49	37	32.4	3,100	A	A
D08A04HWSA00	80x80x25	71.5	4.4	1	o		12	7...13	3.0	66	37	34.4	3,100	A	A
D08A05HWWXA00	80x80x25	71.5	4.4	1	o	o	24	17...27	3.8	66	37	34.4	3,100	A	
D09A04HWSZ00	92x92x25	82.5	4.5	1	o		12	7...13	3.0	84	29	35.0	2,900	A	A
D09A04MWSZ00	92x92x25	82.5	4.5	1	o	o	12	7...13	2.0	70	22	31.3	2,400	A	A
D09A04LWSZ00	92x92x25	82.5	4.5	1	o	o	12	7...13	1.6	59	16	25.0	2,100	A	A
D09A05SWSZ00	92x92x25	82.5	4.5	1	o		24	17...27	5.0	97	43	39.4	3,300	A	
D09A05HWXZ00	92x92x25	82.5	4.5	1	o	o	24	17...27	3.6	84	29	35.0	2,900	A	A
D12A04SWSZ00	120x120x25	105	4.5	1	o		12	7...13	6.0	168	43	43.3	2,500	A	
D12A04HWSZ00	120x120x25	105	4.5	1	o		12	7...13	4.4	151	34	39.1	2,200	A	A
D12A05SWSZ00	120x120x25	105	4.5	1	o	o	24	17...27	6.0	168	43	43.3	2,500	A	A
D12A05HWXZ00	120x120x25	105	4.5	1	o	o	24	17...27	4.6	151	34	39.1	2,200	A	A
D12B04HWXZ00	120x120x38	105	4.5	1	o	o	12	7...13	6.0	178	59	42.8	2,800	A	A
D12B05SWSZ00	120x120x38	105	4.5	1		o	24	17...27	9.6	204	80	48.0	3,200	A	A
D12B05HWXZ00	120x120x38	105	4.5	1	o	o	24	17...27	7.7	178	59	42.8	2,800	A	A
D12B07HWS00	120x120x38	105	4.5	1		o	48	35...53	9.6	178	59	42.8	2,800	A	A
D17C05HWBY00	172x150x51	162	4.35	5		o	24	12...28	21	380	171	59.0	3,500		

# Metal Frame Fans

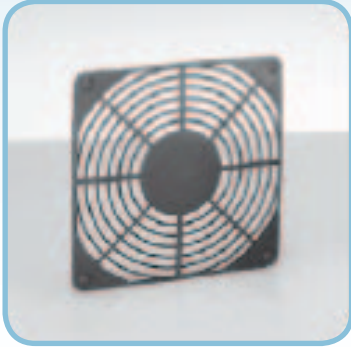
All Metal Frame Fans			
<b>Casing</b>	Black die cast aluminium alloy	<b>Motor</b>	Shaded pole or capacitor run
<b>Impeller</b>	Black painted steel	<b>Motor Protection</b>	By Impedance or thermally
<b>Operating temperature</b>			
	Ball bearings		-40°C ... +70°C
<b>Lifetime L10 at 65% RH</b>			
	Ball bearings		40,000hrs at 40°C 20,000hrs at T max
<b>Options</b>	IP55 protected, high temperature resistant, bidirectional flow, fans with steel impeller, special voltages		

## All metal AC frame fans

Model	Dimensions AxBxC	Holes		Draw. No.	Rated Voltage (V a.c)	Rated Power (W)	Max Air Flow (m³/h)	Static Pressure (Pa)	Noise [dB(A)]	Rated Speed (Rpm)	Approvals		
		F (mm)	ØD (mm)								UL	CUL	VDE
A09B12HWBM00	92x92x38	82.5	4.3	1	115	12/11	75/87	59/74	37.0/42.0	2,700/3,200	A	A	A
A09B23HWBM00	92x92x38	82.5	4.3	1	230	12/11	75/87	59/74	37.0/42.0	2,700/3,200	A	A	A
A12B12HTBM00	120x120x38	104.8	4.3	4	115	17/15	151/175	64/59	42.0/46.0	2,700/3,100	A	A	A
A12B12LTBM00	120x120x38	104.8	4.3	4	115	17/15	107/114	25/22	33.0/35.0	2,000/2,050	A	A	
A12B23HTBM00	120x120x38	104.8	4.3	4	230	17/15	151/175	64/59	42.0/46.0	2,700/3,100	A	A	A
A12B23LTBM00	120x120x38	104.8	4.3	4	230	17/15	107/114	25/22	33.0/35.0	2,000/2,050	A	A	
A17M12SWBM00	172x150x55	162	4.3	2	115	42/42	332/391	137/157	49.0/53.0	2,800/3,250	A	A	A
A17M23SWBM00	172x150x55	162	4.3	2	230	42/42	332/391	137/157	49.0/53.0	2,800/3,250	A	A	A
A17T12SWBM00	172x150x55	162	4.3	2	115	45/45	383/434	123/123	58.0/61.0	2,750/3,150	A	A	A
A17T23SWBM00	172x150x55	162	4.3	2	230	45/45	383/434	123/123	58.0/61.0	2,750/3,150	A	A	A
C25S12HKBE00	280x280x80	208.6	5.4	7	115	107/143	1,705/1,880	180/215	67.0/70.0	2,735/3,150			
C25S23HKBE00	280x280x80	208.6	5.4	7	230	114/158	1,705/1,880	180/215	67.0/70.0	2,735/3,150			
C25S40HKBE00	280x280x80	208.6	5.4	7	400	93/123	1,535/1,680	275/275	67.0/69.0	2,660/2,960			

# Frame Fan Accessories

## Fast Assembly Plastic Fan Guards



**Purpose of the product:** Moving parts protection, according to EN ISO 12100 and EN ISO 13857 Standards.  
IP20 protection degree, according to EN 60529 Standards.  
Fast assembly.

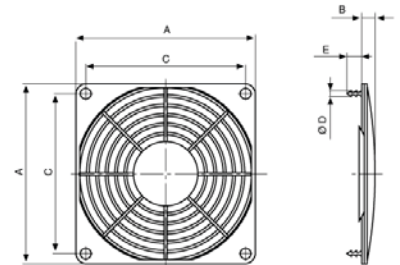
**Size available (in mm):** For axial frame fan sizes 120x120.

**Max. ring distance:** 5 mm

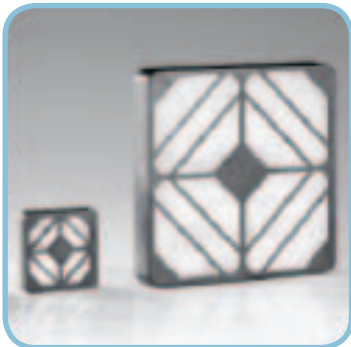
**Material:** Self-extinguishing ABS according to UL 94HB.

**Standard colour:** Black RAL 9005. Other colours available on request, subject to quantity.

Model	Dimension A mm	Dimension B mm	Dimension C mm	Dimension D mm	Dimension E mm
G120/S	120	6.5	105	5.5	13



## Plastic Filters



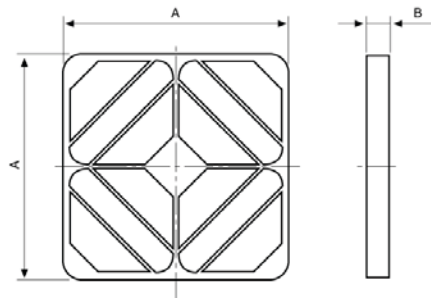
**Purpose of the product:** IP30 protection from the moving parts and dust intrusion.

**Size available (in mm):** For axial frame fan sizes 40x40, 60x60, 80x80, 92x92, 120x120, 172x150 and Ø 172.

**Material:**

- Plastic parts: black RAL 9005 self-extinguishing ABS/PC alloy, according to UL 94V-0. Other colours are available, subject to quantity.
- Filter media: white organic and synthetic fibres (polyester and polypropylene) heat bounded .
- Net: natural colour fibreglass wiring Ø 0.28 mm, 18x16 mesh

Model	Dimension A mm	Dimension B mm
F40/MR	46.4	6.5
F60/MR	64	12.2
F80/MR	86	12.2
F92/MR	97	12.2
F120/MR	126	13
F150/MR	179	24.7

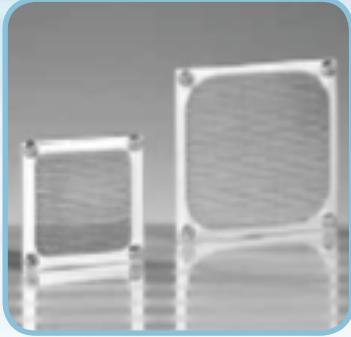


Note: to know the plastic filters mounting cut-out, see the plastic fan guards drawings



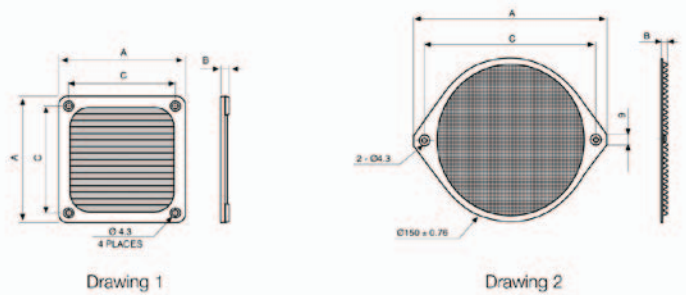
# Frame Fan Accessories

## Metal Filters

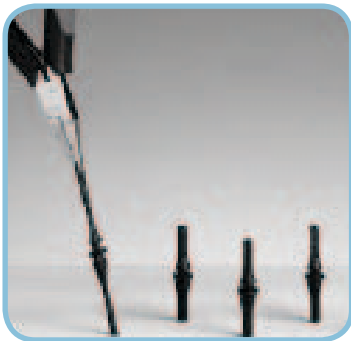


- Purpose of the product:** IP40 protection from the moving parts and dust intrusion plus EMI/RFI shielding.
- Size available (in mm):** For axial frame fan sizes 40x40, 60x60, 80x80, 92x92, 120x120, 172x150 and Ø 172.
- Material:**
- Net: 30x30 stainless steel corrugated mesh with 4.8 mm pitch and 3.3 mm depth.
  - Frame: aluminium
- Standard colour:** Natural

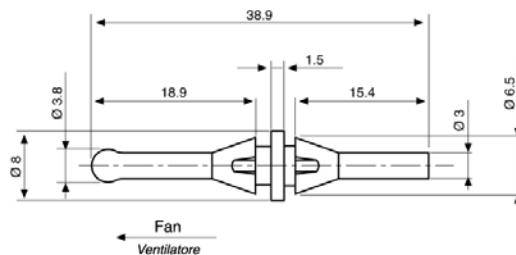
Model	Drawing	Dimension A	Dimension B	Dimension C
	No.	mm	mm	mm
FM/60	1	60	2.5	50
FM/80	1	83.8	3.0	71.4
FM/120	1	92	3.5	82.5
FM/120	1	119	4.0	104.5
FM/150	2	182	4.5	162



## Elastic Rivets

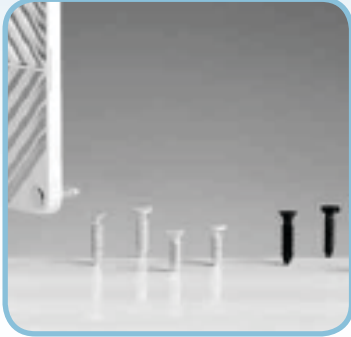


- Purpose of the product:** Fast assembly and disassembly of the fans plus vibration and noise reduction.
- Size available (in mm):** Suitable for fans with dimensions between 600 mm and 127 mm and fixing hole diameter from 4 to 4.6 mm.
- Operating temperatures:** -45°C ... +120°C
- Material:** EPDM rubber, 63 shore A hardness
- Standard colour:** Black
- Model:** EAR4410N

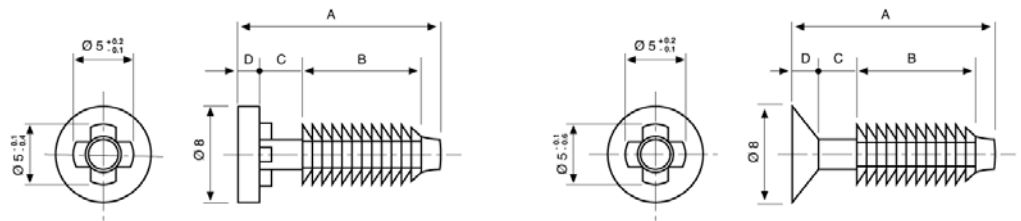


# Frame Fan Accessories

## Plastic Rivets



- Purpose of the product:** Fast assembly of the fans and fan guards.
- Size available (in mm):** Suitable for fans with fixing hole diameter from 4 mm to 4.8 mm.
- Versions Available:** With round flat head or V-shaped head. Two different stem lengths, 17 mm and 22 mm.
- Extraction force:** (hole  $\varnothing$  4.5 - stem 4 mm length) 16 N  
(hole  $\varnothing$  4.5 - stem 4 mm length) 45 N  
Note: Drill holes ( $\varnothing$  5.4 : 6.5 mm) on the panel and introduce the rivets.
- Material:** Self-extinguishing nylon 6, according to UL 94V-0
- Standard colour:** Black RAL 9005 or grey RAL 7032



Round flat head

V-shaped head

### Round flat head version

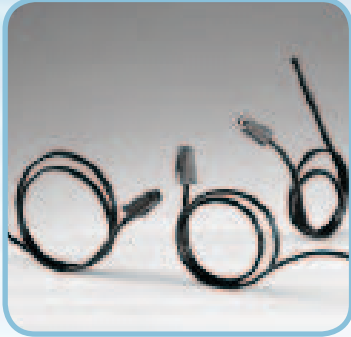
Model	Dimension A	Dimension B	Dimension C	Dimension D	RAL Colour
	mm	mm	mm	mm	
FAR 175 TP N	17	10	3.6	1.8	9005 Black
FAR 175 TP R	17	10	3.6	1.8	7032 Grey
FAR 225 TP N	22	15	3.6	1.8	9005 Black
FAR 225 TP R	22	15	3.6	1.8	7032 Grey

### V-shaped head version

Model	Dimension A	Dimension B	Dimension C	Dimension D	RAL Colour
	mm	mm	mm	mm	
FAR 175 TP N	17	10	3.2	2.2	9005 Black
FAR 175 TP R	17	10	3.2	2.2	7032 Grey
FAR 225 TP N	22	15	3.0	2.6	9005 Black
FAR 225 TP R	22	15	3.0	1.82.6	7032 Grey

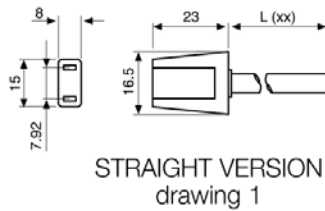
# Frame Fan Accessories

## Fan Power Leads



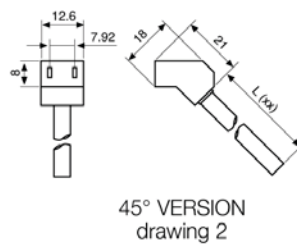
- Purpose of the product:** Quick connection or disconnection of fans with standard terminal male plugs.
- Versions available:**
- Straight plug connection (drawing "1")
  - 45° plug connection (drawing "2")
  - "Daisy Chain" plugs for multiple connections (drawing "3")
- Cable lengths available :** For the first two versions, see the standard lengths in the boxes below. Other lengths are available on request, subject to quantity. For the "Daisy Chain" version standard lengths do not exist.
- Cable type:** Flat flexible wire without sheath, H03VH-H according to CEI 20-20 or equivalent. Other types are available on request, subject to quantity.
- Plug material:** Self-extinguishing PVC
- Standard colour:** Black

### Straight Version

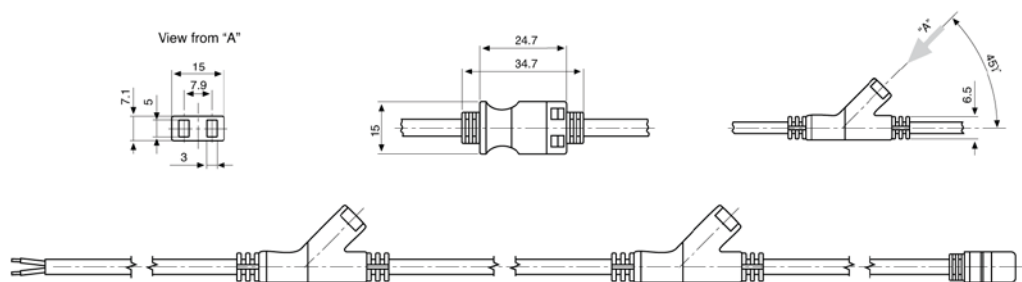


Model	Length of cable "L" mm
C24	610
C36	910
C60	1,524
C80	2,032
C100	2,540

### 45° Version



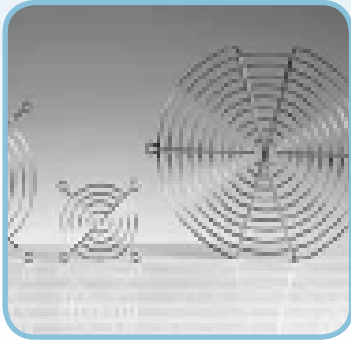
Model	Length of cable "L" mm
C24-45	610
C36-45	910
C60-45	1,524
C80-45	2,032
C100-45	2,540



"DAISY CHAIN" PLUGS  
FOR MULTIPLE CONNECTIONS  
drawing 3

# Frame Fan Accessories

## Metal Fan Guards



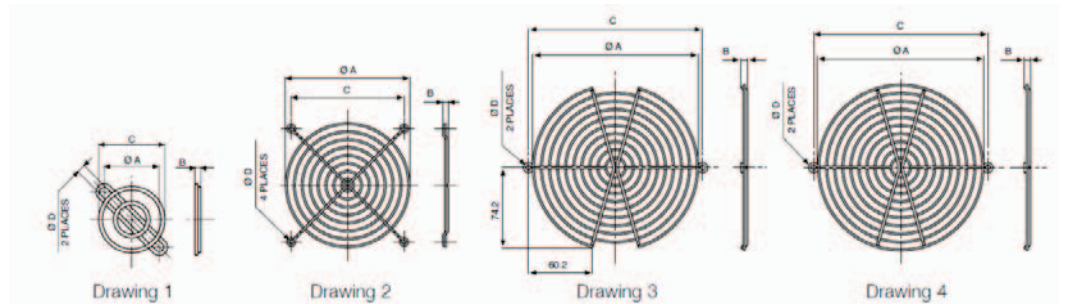
**Purpose of the product:** Moving parts protection, according to EN ISO 12100 and EN ISO 13857 standards.  
IP20 protection degree, according to EN 60529 Standards

**Sizes Available:** All axial frame fan sizes

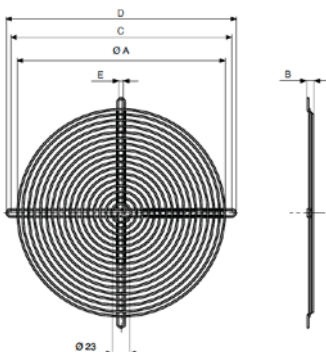
**Max. ring distance :** 6.35 mm

**Material:** Steel wire AISI C1010

**Finishing:** Nickel-Chrome plated (standard) or black epoxy painted RAL 9005, on request



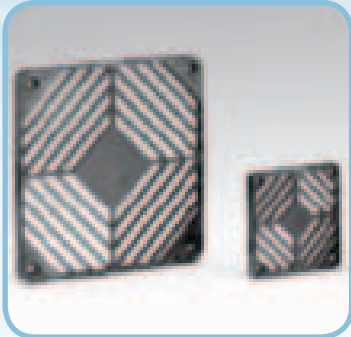
Model	Drawing	Dimension A	Dimension B	Dimension C	Dimension D
	No.	Ø mm	mm	mm	Ø mm
25	1	24	2.2	20	3.2
40	2	29.1	4.8	32	4
45	2	38.3	3.8	37	4.3
50	2	42	3	40	5.2
60	2	53	4.4	50	4.6
80	2	76	5.5	71.5	4.9
92	2	90	5.5	82.5	4.9
120	2	115.6	5.5	105	4.6
127	2	115.6	6	113.3	4.6
150S	3	154.4	6.5	162	4.8
150	4	154.4	6.5	162	4.8



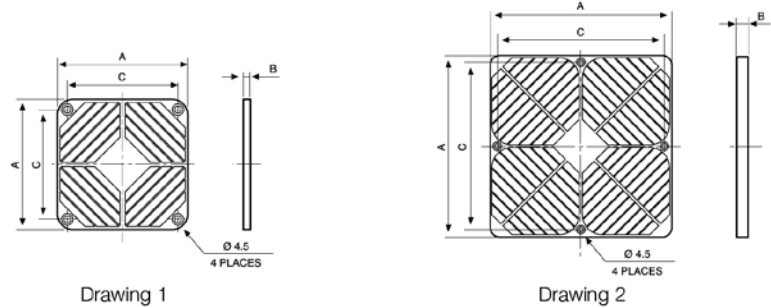
Model	Dimension A	Dimension B	Dimension C	Dimension D	Dimension E
	Ø mm	mm	mm	mm	mm
GMP200NK	215	8.7	240	250	5.4
GMP250NK	278	8.7	295	307	6.5

# Frame Fan Accessories

## Plastic Fan Guards



- Purpose of the product:** Moving parts protection, according to EN ISO 12100 and EN ISO 13857 standards.  
IP20 protection degree, according to EN 60529 Standards
- Sizes Available (in mm):** For axial frame fan sizes 40x40, 60x60, 80x80, 92x92, 120x120, 172x150 and Ø 172
- Max. ring distance :** From 3 mm to 6 mm
- Material:** Self-extinguishing ABS/PC alloy, according to UL 94V-0
- Finishing:** Black RAL 9005. Other colours are available on request, subject to quantity

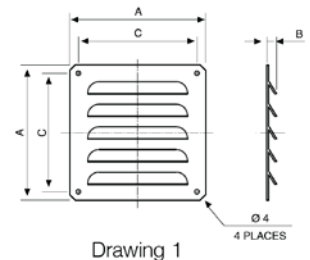


Model	Drawing	Dimension A	Dimension B	Dimension C
	No.	mm	mm	mm
G40	1	42.3	3.3	32
G60	1	60	6	50
G80	1	80	5.5	71.4
G92	1	92	5.5	82.5
G120	1	121	6.5	104.8
G150	2	173	10.8	162

## Metal Fan Guard



- Purpose of the product:** Moving parts protection, according to EN ISO 12100 and EN ISO 13857 standards.  
Optionally it can be coupled with a metal filter.
- Sizes Available (in mm):** For axial fan sizes 120x38 mm
- Max. ring distance :** 5 mm
- Material:** Steel plate
- Painting Type:** Epoxy powder coating
- Standard Colour :** RAL 7035



Model	Drawing	Dimension A	Dimension B	Dimension C
	No.	mm	mm	mm
G120M-7035	1	120	7.4	104.8





Lowfield Drive  
Centre 500  
Wolstanton  
Newcastle-Under-Lyme  
ST5 0UU

Tel: 01782 349430  
Fax: 01782 349439  
Email: [sales@axair-fans.co.uk](mailto:sales@axair-fans.co.uk)

---