



ANDERSEN
STERILIZERS

Most effective sterilant
Most efficient steriliser

AN74i standard cabinet
AN74ix extended cabinet

100% Ethylene Oxide Sterilisation



The Anprolene Classic Series sterilisers are the latest versions of the system that healthcare facilities around the world have trusted for over 50 years.

The Anprolene system has always offered **the most gentle 100% EtO sterilisation cycle** on the market: **room temperature** sterilisation (minimum 20°C), **no steam** injection, no deep vacuum, and **only 17.6g of gas**.

This is the **most inexpensive** and versatile low temperature steriliser available!

Anprolene sterilisers now feature a number of important improvements. They include: more powerful ventilation and **purge pumps**, unique **active aeration system**, digital display **tracks cycle progress**, temperature sensor **monitors room conditions** during each cycle, microprocessor **monitors cycle** and automatically **restores system** in case of power failure.

Anprolene sterilisation cycles are designed to be the gentlest available, allowing repeated sterilisation whilst preserving medical devices in pristine condition.

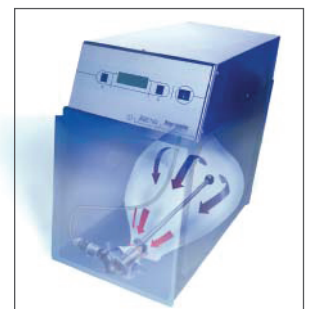
Micro-Dose System:

EtO is provided in glass ampoules. When activated these release EtO directly to the heart of the load delivering a high level of sterility with a very small amount of gas.



Active Aeration:

Its unique combination of purge probe and sterilisation bag allows air to be removed from around the items prior to sterilisation, and clean air to "wash" them after the sterilisation cycle.



ANDERSEN
STERILIZERS

Unmatched Sterilisation Flexibility

EtO is a very versatile sterilising agent and is used to sterilise a wide range of items other than food, drugs and liquids. The delicate Anprolene cycle protects and extends the life of your delicate instruments; electronics, drills, fibre optics, cameras, laptop computers and plastic or rubber items...

Safe for the Environment

EPA registered (Environmental Protection Agency), a combination of purge and ventilation systems ensures that operators are not exposed to EtO. Outside, the EtO reacts with moisture and forms biodegradable chemicals. The gas ampoule and sterilisation bags (and indeed the abator cartridge) may be disposed of as household waste.



74i with abator



74ix with abator

Exhaust Gas Abator

The customer may choose to pass the exhaust gases through an abator. The abator cartridge shown here absorbs over 99.9% of the EtO in the exhaust stream.

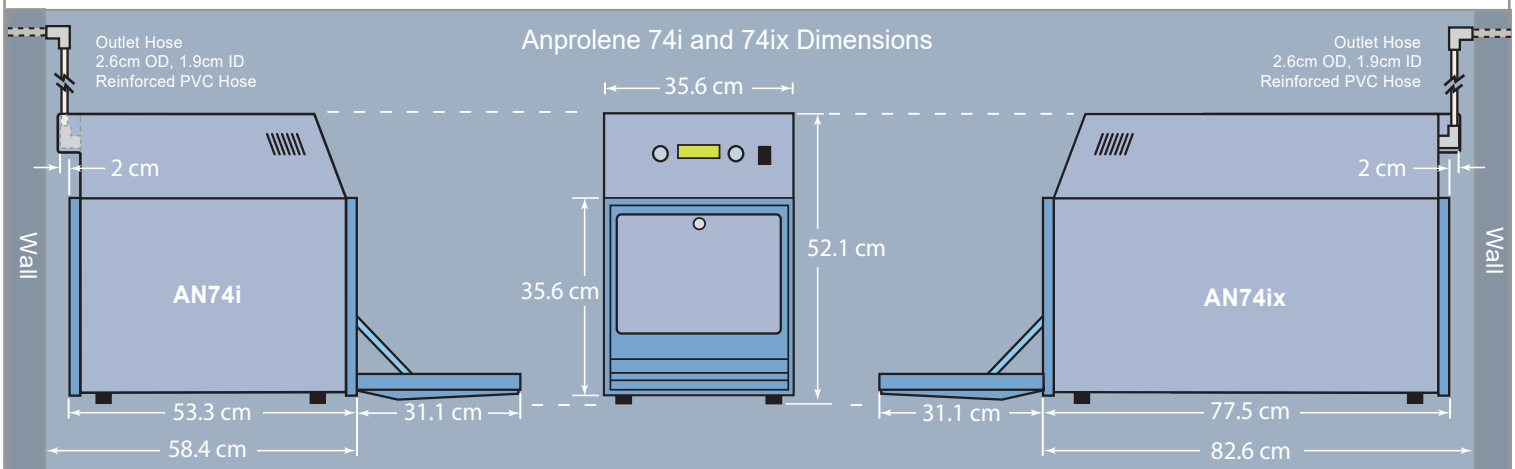
This may be required by a strict local regulation, or the customer may be venting the exhaust into the central waste gas system rather than directly to the outside. The unit uses a disposable cartridge, which will abate 200 cycles with 17.6g ampoules.

Free Key Operator Training

Andersen provides free training for as many operators as required, for the lifetime of the cabinet.

Advice: To obtain the best level of sterility, it is important that each of the following steps is undertaken thoroughly, and in order:

1. **Soak** – loosen blood, fat protein
2. **Clean** – reduce bioburden
3. **Pack** – create a sterile barrier
4. **Sterilise** – kills all remaining bioburden
5. **Quality assurance** – verifies sterility



Installation: Simple installation with exhaust venting to the outside via a wall plate. No water or vacuum line required.

Anprolene® is a registered trademark of H.W. Andersen Products, Inc.