

SECO Ni 24 40

Chain Actuator / 24 V dc / 400 N



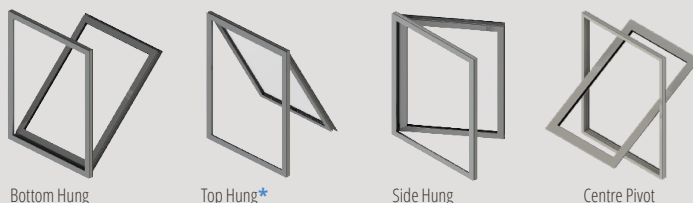
Chain Actuator / 24 V dc / 400 N

The SECO Ni 24 40 24 V dc chain actuator has been designed to provide precise and reliable operation for smoke and environmental ventilation applications.

SE Controls manufacture this high-quality 'Made in Britain' actuator with the following features:

- Tested to EN12101-2: 2003 - check the combination of actuator and profile is certified
- 'Frequency of operation data logging records every actuator movement
- Compact design with variable options for stroke length
- Volt Free Contact version available for positional feedback
- Standard finish is RAL 9006 (White Aluminum) but it can be customised to suit installation requirements
- Standard flex length is 2 m but this can be modified to suit installation requirements
- Extensive range of brackets to suit a variety of window systems
- Quiet operation with configurable speed control
- 900mm version is not suitable for Top Hung applications*

Orientation



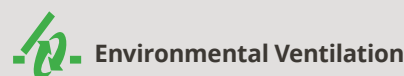
NB: 24 V actuators require control from a compatible low voltage unit such as an OS2 SHEVTEC controller or NVLogiQ® PSU and permanent power should not be applied.

+44 (0)1543 443060
sales@secontrols.com
www.secontrols.com

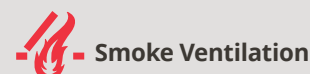
Tested to EN12101-2: 2003. (check the combination of actuator and profile is certified).



Applications



Environmental Ventilation



Smoke Ventilation

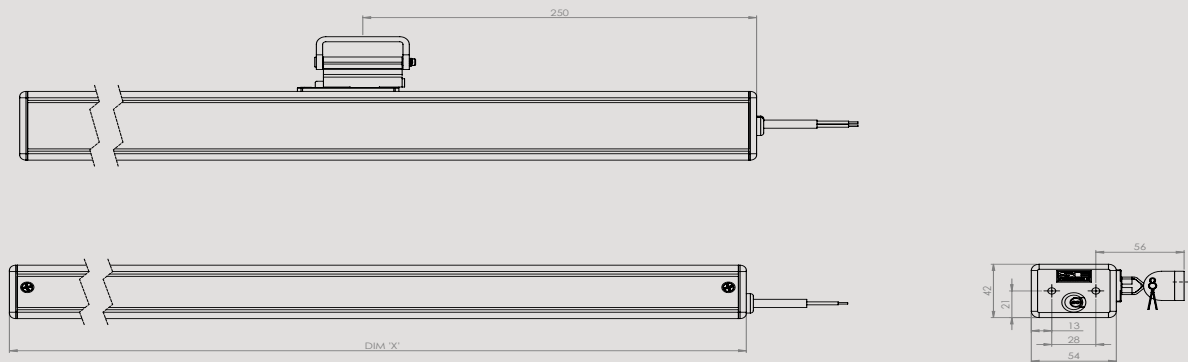
Associated Controls

Stroke	600mm	900mm
Controller	No. Actuators¹	No. Actuators¹
3 AMP Transformer	3	2
NVLogiQ PSU	4	4
SHEVTEC Controller	8	6
30 AMP PSU	30	25

¹Recommended maximum number of actuators. The maximum number of actuators is based on optimum operating conditions, please contact SE Controls for more information.

NB: 24 V actuators require control from a compatible low voltage unit such as an OS2 SHEVTEC controller or NVLogiQ® PSU and permanent power should not be applied.

Technical Drawing



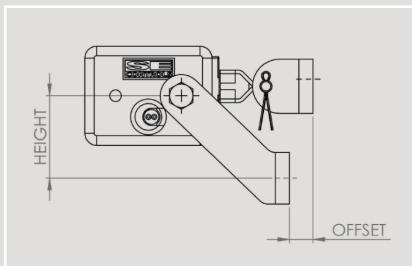
Dimensions

Dim X (mm)	Stroke (mm)
635	up to 600
785	601-900

All dimensions in millimetres

The AutoCAD drawing for this product can be found at www.secontrols.com

Standard Bracket Detail



Bracket Product Codes

Offset (mm)	Height (mm)		
	35	40	50
0	AKS16000001	AKS16000002	AKS16000003
5	AKS16050001	AKS16050002	AKS16050003
8	AKS16080001	AKS16080002	AKS16080003
10	AKS16100001	AKS16100002	AKS16100003
15	AKS16150001	AKS16150002	AKS16150003
20	N/A	N/A	AKS16200003



Please ensure the controllers have a minimum 1 second delay between switching if you are not using SE Controls products.

Technical Data

Actuator	SECO Ni 24 40
Actuator Type	Chain Actuator
Voltage (all ± 5%)	24 V dc
Amp Draw Current (with load)	20 mm-600 mm = 1.0 A 601 mm-900 mm ¹ = 1.2A
Stroke	20 mm-600 mm (configurable) 601 mm-900 mm ¹ (configurable)
Operating Speed	17 mm/sec min. 5 mm/sec (configurable)
Ambient Operating Temp	-5°C to +60°C
IP Rating	IP20
Thrust Force	400 N
Close Force	400 N
Clamping Force	4000 N
Soft Close	Yes
Switching	Electronic
Seal Relief	Programmable up to 20 mm
Synchronisation	Optional
Standard Finish Powder Coated	RAL 9006 (White Aluminium)
Colour Option	Other RAL colours available on request
Flex Length	2 m
Flex Type	2 core silicone 4 core (volt free contact) as option
Flex Colour	Grey
Duty Cycle	22% (approx. 2 mins on, 7 mins off)
Product Warranty	15,000 cycles, or 12 months ²
Bracket	Sill fixing/ open inward/ face fix bracket
Application	Smoke and Environmental Ventilation

¹ The 900 mm version is not suitable for Top Hung applications.

² Commercial terms for each project will supersede this warranty information.

Product Codes

Silver Grey (RAL 9006)	Operating Voltage	Force	Stroke
AASI400600S	24 V	400 N	600 mm
AASI400900S	24 V	400 N	900 mm