

axis

Automatic Entrance Systems

KESTREL
ALUMINIUM SYSTEMS 

Manual Sliding Folding Door Systems



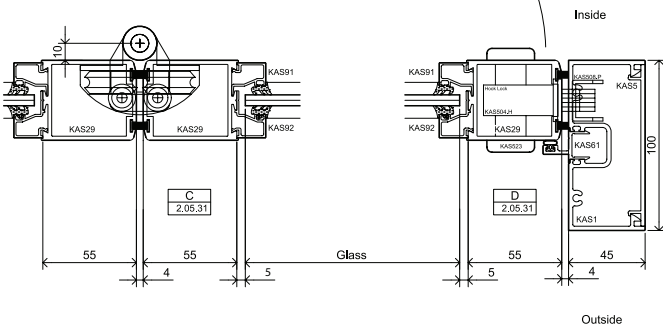
A combination of hinged folding and manual sliding aluminium doors ideally suited to improve access and maximise the operational area of your premises. Also allows you to divide areas or secure your premises as and when required.

Three Leaf Plan

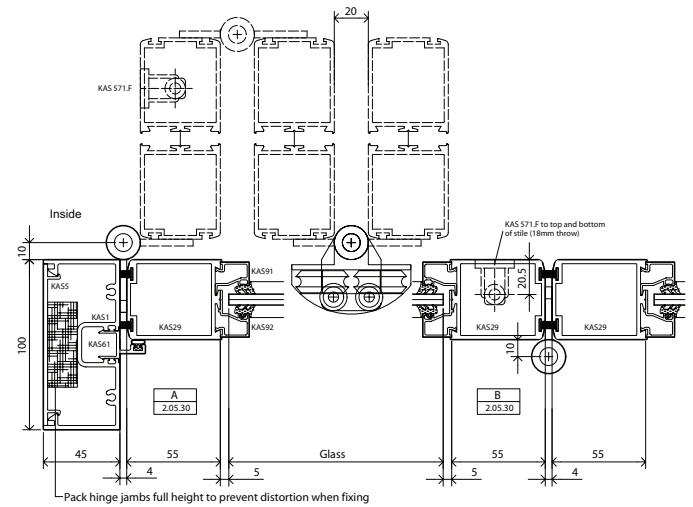
This leaf acts as locking/access leaf:
Open in rebated door leaf with hook
bolt dead locks

NB: Door leaf cannot have projecting
handles/furniture internally

Door leaf cannot have overhead
closers/restrictor arms or powered closers etc.

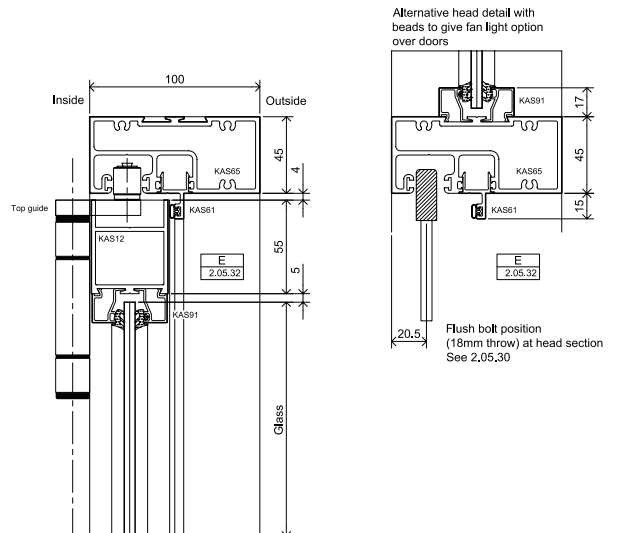
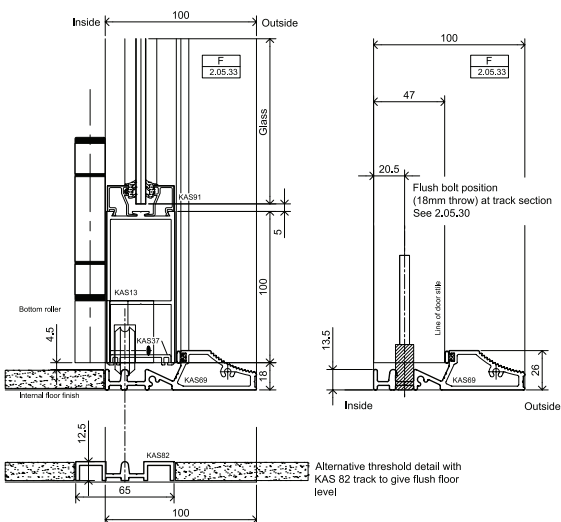


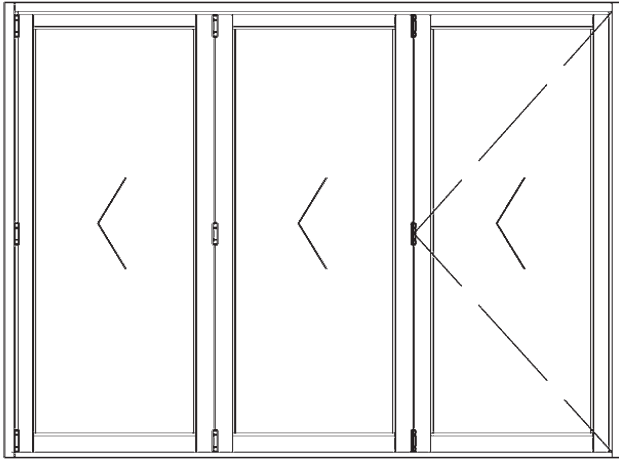
Three Leaf Plan



TRACKS MUST BE STRAIGHT AND LEVEL
JAMBS MUST BE STRAIGHT AND PLUMB

Manual sliding/folding doors - elevation and track details





SLIDING FOLDING COMMERCIAL DOORS

- Use dedicated head and track sections to provide fully rebated reveal for doors.
- Conventional stiles maintain double weather pile detail.
- Top guide and bottom roller are concealed in door leaf.
- All hinges face fitted – no complicated preparation is necessary.
- Bottom hung – means no headaches with structural head fixing details as with ‘hung’ systems.
- Uses standard flat face flush bolts and normal door locks – hook or latch.
- Stile rebate sections can also be added

Concealed top guides and bottom rollers



TECHNICAL DETAILS

Hinge system available in natural silver anodised finish only

Maximum door leaf weight 70kg

Maximum door leaf width 900mm

Maximum door leaf height 2700mm

3 or 5 leaf hinged from one side folding either way

Stile cut-outs at top guide and bottom roller locations only

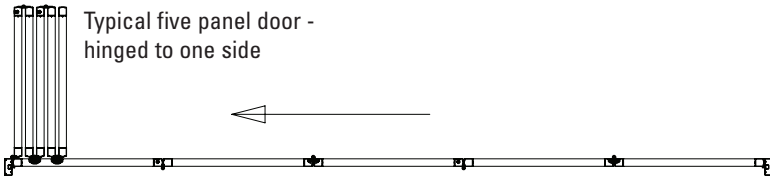
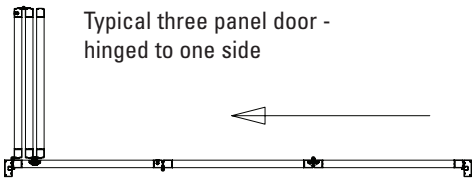
Hook lock recommended

Latch lock can be used in conjunction with hook lock if an ‘access’ leaf is required

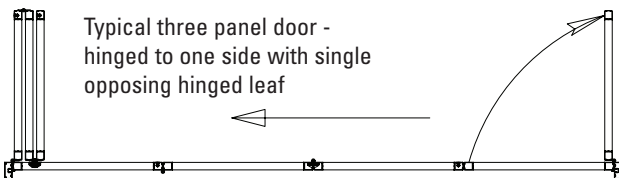
Drained and rebated bottom track or flush track available



Typical arrangements - all leaves fold to one side



Typical arrangement with sliding folding and single hinged leaf opposite (ok with 3 and 5 panel designs)



System allows for all door leaves to fold to the internal side only and allows use of fully rebated head and jamb sections, rebated track/threshold profile can be used to provide rebate to all four sides for improved weathering.

Alternative track (KAS 82) will give flush floor levels internally and externally if preferred.



STANDARD ALUMINIUM DOORSET SPECIFICATION

The aluminium doorset is formed from non-thermal aluminium extruded box section. The outer framework is constructed from 100mm by 45mm box section and the door leaves are constructed with 55mm wide stiles and 100mm deep top and bottom rails. Weather stripping is standard on door stiles and top and bottom rails. An option of different midrails can also be included to increase the strength of the door.

The leading swing door is fitted with a euro-cylinder operated hook lock and all other leaves are secured by top and bottom flush bolts. Depending on the door system and size, a minimum of three ball bearing hinges are fitted to each leaf. Various tracked aluminium thresholds are offered to suit the site requirements.

The doors are single glazed with 6.4mm clear laminated glass stamped with BS kite mark. Tinted glass and other options are also available.

Polyester powder coat finished to a standard RAL or BS colour is included. SAA and Bronze Anodised finishes can be supplied on request.



Axis Automatic Entrance Systems Ltd

Unit 6, Queens Park Industrial Estate, Studland Road, Northampton, NN2 6NA.

Tel 0844 504 6525 Fax 0844 504 6526

Service 0844 504 6535 Fax 0844 504 6536

Sales 0844 504 6545 Fax 0844 504 6546

Email: sales@axisautomatic.com www.axisautomatic.com

