

*axis*

Automatic Entrance Systems

**STANLEY.**

# Dura-Glide 2000/3000

ALL GLASS SLIDING DOOR SYSTEMS



## THE ALL-GLASS SLIDING DOOR SYSTEMS CAN TRANSFORM ANY STOREFRONT INTO AN EYE-CATCHING ENTRYWAY.

Experts in the automatic door industry since 1932, STANLEY offers an all glass sliding door system that creates a beautiful entry into any public or private space. The Dura-Glide All Glass 2000/3000 systems showcase your individual interior while providing increased lighting to meet all of your design requirements.

With the use of all glass doors and sidelights, beautiful aesthetics are seamlessly added to the pre-existing structure while maintaining partial or full breakout functions. This UL

listed, ANSI, and CE compliant door system is engineered for maximum safety and customisation with size and color options to enhance any exterior or interior entrance.

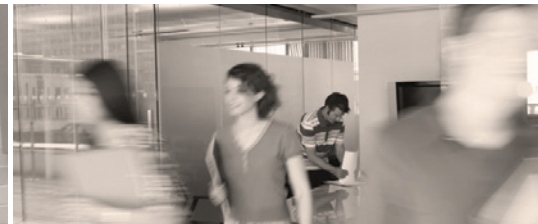
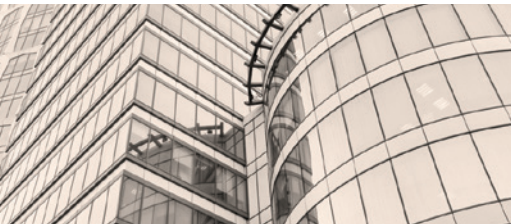
The Dura-Glide 2000/3000 will complement any upscale architecture and create a unique first impression and design for your building.

**Aesthetically Pleasing**

Glass transoms above the door will enhance the architectural beauty of the opening, while providing additional natural lighting to your space.

**Quick Installation**

The preassembled header and panel assemblies make installation quick and easy.



**COMPLEMENT UPSCALE ARCHITECTURE WITH THE DURA-GLIDE 2000/3000 ALL-GLASS SLIDING DOOR SYSTEMS.**

- **Aesthetically Pleasing** – All glass doors and available sidelights blend effortlessly into building profiles, minimizing site lines and bulky profiles and maximizing elegance and beauty to upscale architecture
- **Easy to Customize** – Available in a variety of sizes and colors, partial or full breakout, and bi-parting or single slide configurations to meet specific customer requirements.
- **Durable** – All door systems are UL listed and undergo life testing to a minimum of 1 million cycles.
- **Quick to Install** – With the pre-assembled header and panel sub-assemblies installation is fast and trouble free, meaning less distraction time for your business.
- **Safety** – Meets ANSI requirements, and is UL listed and CE compliant to ensure customer safety. Optional backup power supply provides continued operation of automatic doors for up to 1.5 hours in the event of power outages or main power failure.

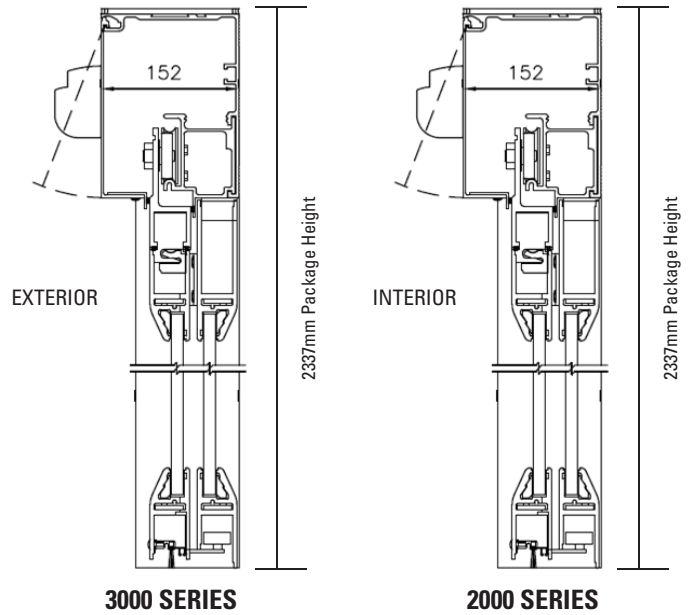
**STANLEY. BUILT TO LAST.**

When it comes to automatic door openings, Stanley is setting the standard for tough, dependable, long-lasting performance. Since 1932, Stanley has grown into one of the largest manufacturers, installers and service providers of automatic doors in North America.

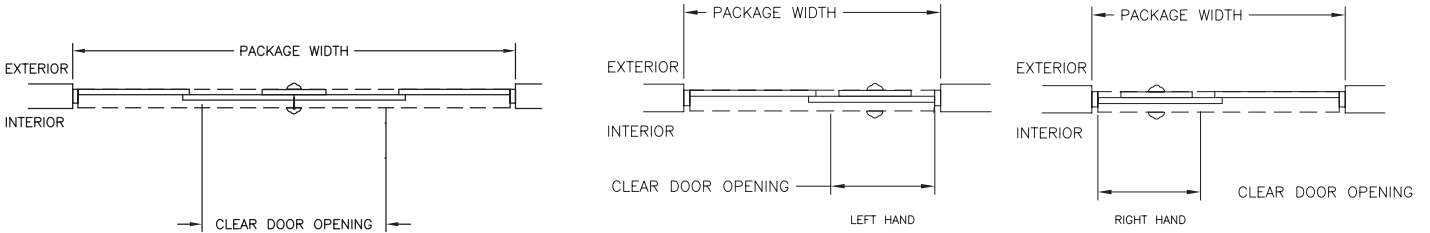
From engineering and development, to product delivery and quality, Stanley is constantly moving forward with innovative solutions you can depend on.

**DURA-GLIDE PRODUCT SPECIFICATIONS**

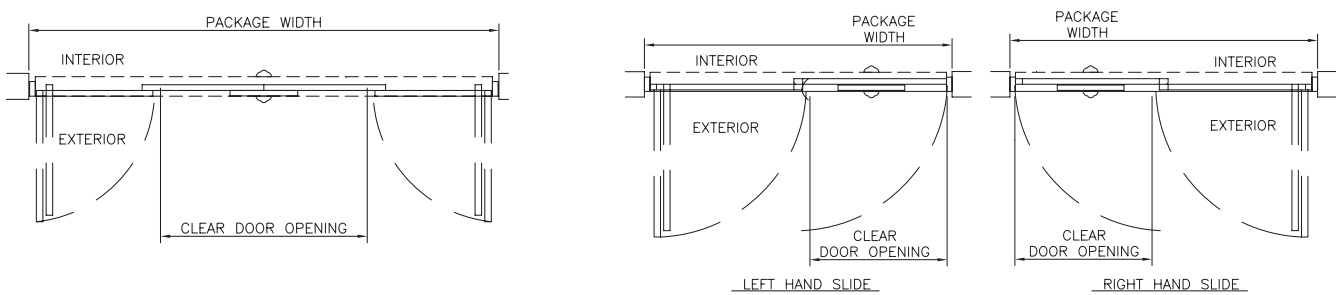
Description	Standard	Optional
Design	Bi-Part or Single Slide	
Jamb Dimension	100mm x 45mm	
Finish	SAA or PPC	Special finishes available
Glass	12mm toughened glass with polished edges	
Threshold	Configurable Options	
Locking	Single Point Bottom Rail Deadlock(s)	Electric Locking
Battery Backup	Monitored fly-open battery unit included	UPS
Activation	Combined activation & monitored safety sensor	Access Control, push buttons, etc
Safety	Monitored side screen safety sensor	Safety Barriers
Break-out		Full or partial available
Codes	EN16005, UL, cUL, ANSI 156.10, IBC, NFPA 101	



**2000 SERIES PLAN VIEW**



**3000 SERIES PLAN VIEW**



Packages with break-out facilities are also available. Details are available upon request.

TYPICAL PACKAGE DIMENSIONS			
Package width	Nominal clear door opening	Door panel nominal width	Emergency break-out nominal width
3000mm	1200mm	780mm	1395mm
3600mm	1500mm	930mm	1695mm
4200mm	1800mm	1080mm	1995mm

AXIS not only offer ICU & CCU manual doorsets, our portfolio also includes a wide range of automatic doors suitable for the Healthcare environment including swing, sliding and hermetically sealed automatic doors. Please visit our website for further details.



**Axis Automatic Entrance Systems Ltd**

Unit 6, Queens Park Industrial Estate, Studland Road, Northampton, NN2 6NA.

Tel	0844 504 6525	Fax	0844 504 6526
Service	0844 504 6535	Fax	0844 504 6536
Sales	0844 504 6545	Fax	0844 504 6546
Email	sales@axisautomatic.com www.axisautomatic.com		



Axis Automatic Entrance Systems Ltd is proud to be associated with the Alder Hey Children's Charity

