

# Brush Strip & Sealing Systems

A combination of Quality,  
Service & Experience



# Formseal Service & History



## The UK's leading supplier of Brush Strip Seals

Formseal was established in 1987 and has a proven track record in delivering excellence every day through the skills and dedication of its employees, coupled with the quality and versatility of our products.

Our friendly and efficient service, plus attention to customer requirements, has resulted in Formseal becoming the market leader in the supply of Brush Strip Seals. Formseal have an unrivalled reputation for quality and reliability which encourages users to repeatedly purchase our products. Our customer base is wide and varied and our products are manufactured with this in mind. With a huge range of designs for different applications, the potential of the Formseal range is unlimited.



## Friendly technical advice and support



0800 975 8004

Our dedicated technical support team are available to assist and advise on aspects of brush design.

## Order now online!

For your convenience – You can purchase **ONLINE 24/7**  
[www.formseal.co.uk](http://www.formseal.co.uk)



## Formseal hold an extensive range in stock for next day delivery

Our fast and efficient process enables us to rapidly produce the goods for same day despatch.



Orders received by 1pm are despatched the same day for **next working day delivery**.

Please note: Lead times may apply for brush strip specials and customised orders.

In a hurry? No problem. Collect your order from us! Or choose a specified timed delivery (additional charges apply). Ask us about this!

Formseal are dedicated to continually improving its products and services. Whilst every effort is made to ensure details provided are correct, the company reserves the right to alter the specification to any of the products shown without prior notification.

# Index

## Standard Brush Strip Range

|                                  |   |
|----------------------------------|---|
| Brush Strip Upright Carrier 180° | 4 |
| Brush Strip Carrier 45°          | 6 |
| Brush Strip Carrier 90°          | 8 |

## Camstrip

|                              |    |
|------------------------------|----|
| Standard range - Brush Strip | 10 |
|------------------------------|----|

## Brush Strip Specials

|   |    |
|---|----|
| Brush Strip with non-standard brush filaments | 12 |
| Custom slots on carrier Brush Strip           | 12 |

## Flexible Brush Strip

## Industrial Doors

|                           |    |
|---------------------------|----|
| Roller shutters           | 16 |
| Insulated roller shutters | 17 |
| Concertina                | 18 |

## Garage Doors

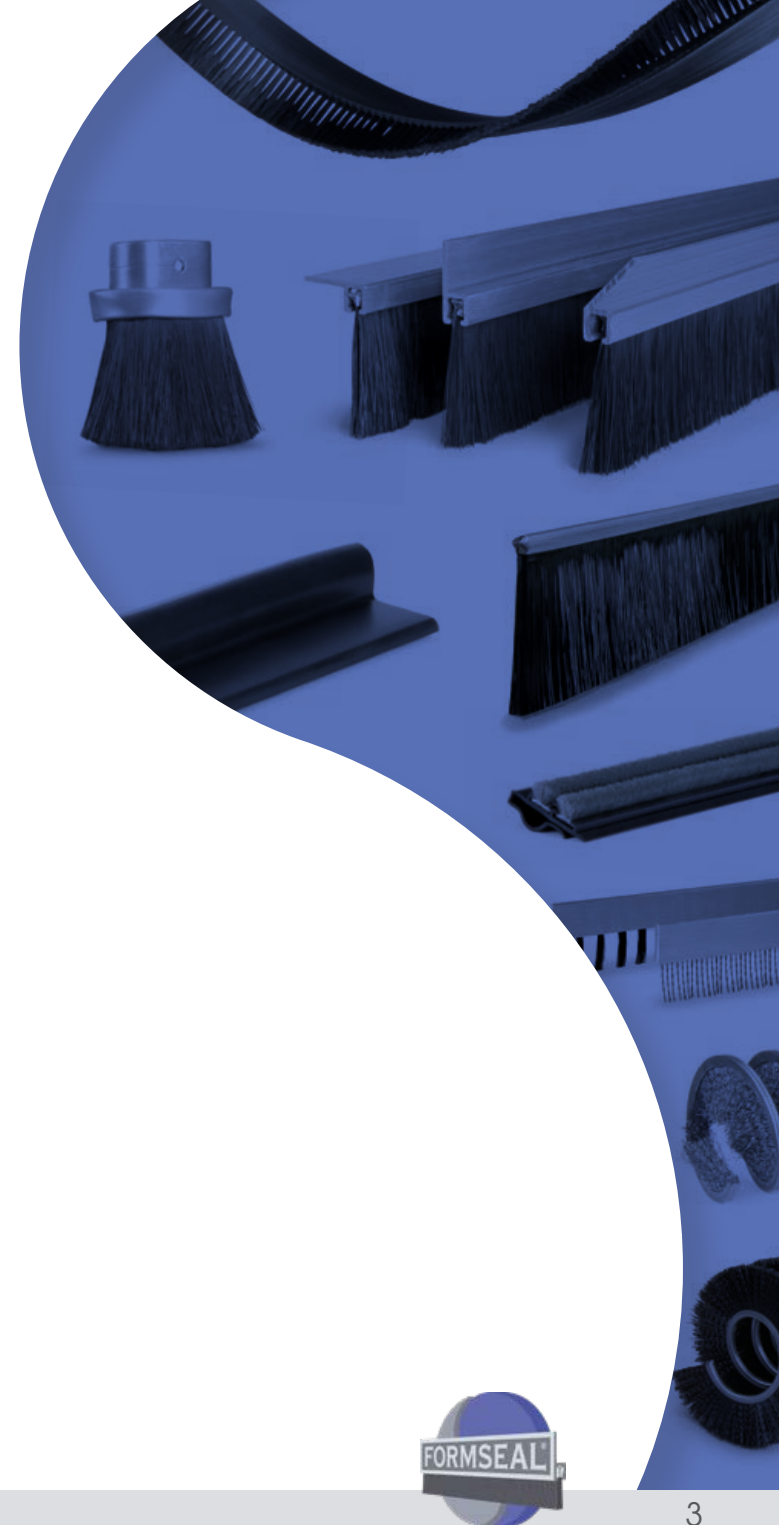
|              |    |
|--------------|----|
| Rubber Seals | 19 |
|--------------|----|

## Domestic Doors

|                            |    |
|----------------------------|----|
| Bottom & Centre Door Seals | 20 |
|----------------------------|----|

## Special Products

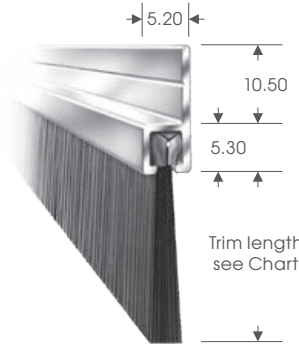
|                            |    |
|----------------------------|----|
| Lath Brush                 | 22 |
| Antistatic Brush           | 22 |
| Brush Strip, Coils & Rings | 23 |



# Standard Brush Strip Range

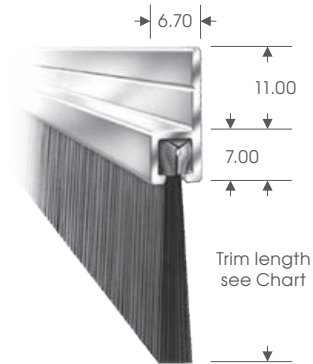
## Upright Carrier 180°

Brush Strips are incredibly versatile and can be customised to fit almost any application. Formseal has an unmatched selection of in-stock standard Brush Strips in a variety of sizes and filament material and overall lengths to meet your immediate need. Formseal's Brush Strip can be supplied cut to size, with fixing holes or coloured to your specification.



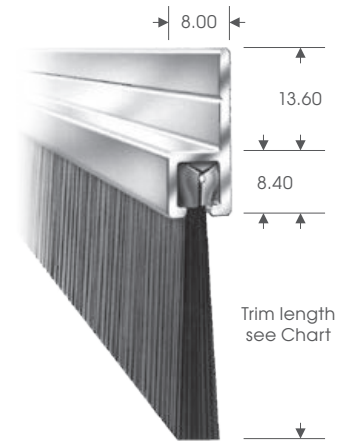
Aluminium thickness: 1.2mm

No. 1 Section - XSmall



Aluminium thickness: 1.4mm

No. 2 Section - Small



Aluminium thickness: 1.6mm

No. 3 Section - Medium

- ✓ Available in 6 section sizes with over 40 trim lengths or manufactured to customer specification.
- ✓ Carriers or Camstrip can be purchased separately.
- ✓ Standard lengths: 2m, 2.5m and 3m.
- ✓ Cut lengths are available on request.

### Standard materials

**Filaments** – Extruded from type 6 nylon:

- Hard wearing.
- Good memory.
- Working temperature range -40°C to +100°C.

**Metal backing** – Electro galvanised steel.

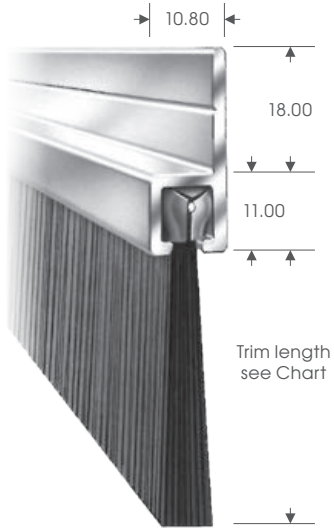
**Core wire** – Electro galvanised steel.

**Fixing carrier** – Mill finish extruded aluminium in 180°, 90° and 45° flanges.

### Non-standard items

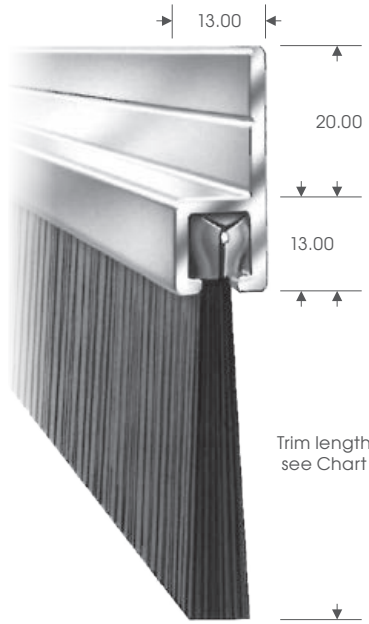
Non-standard seals are available to individual customer specification. These can include:

- Stainless steel backing tape.
- Metallic or natural fibre filaments.
- Coils or rings etc; made from standard or non-standard Brush Strip.
- Anodised or painted finishes available on request.



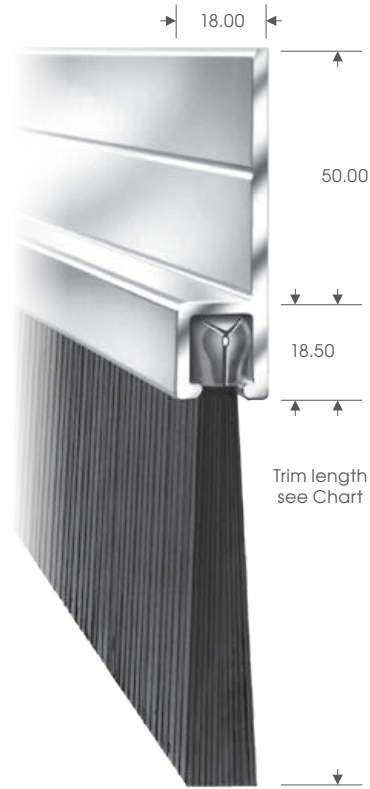
Aluminium thickness: 1.8mm

No. 4 Section - Large



Aluminium thickness: 1.8mm

No. 5 Section - XLarge



Aluminium thickness: 3.1mm

No. 6 Section - XXL Large



Suppliers of Brush Strip Seals to the data management industry

| No. 1 Section - XSmall |              |
|------------------------|--------------|
| Trim                   | Ref          |
| 7mm                    | FS 1/7-180°  |
| 10mm                   | FS 1/10-180° |
| 12mm                   | FS 1/12-180° |
| 15mm                   | FS 1/15-180° |

| No. 2 Section - Small |              |
|-----------------------|--------------|
| Trim                  | Ref          |
| 15mm                  | FS 2/15-180° |
| 20mm                  | FS 2/20-180° |
| 26mm                  | FS 2/26-180° |
| 34mm                  | FS 2/34-180° |
| 50mm                  | FS 2/50-180° |

| No. 3 Section - Medium |               |
|------------------------|---------------|
| Trim                   | Ref           |
| 17mm                   | FS 3/17-180°  |
| 20mm                   | FS 3/20-180°  |
| 26mm                   | FS 3/26-180°  |
| 34mm                   | FS 3/34-180°  |
| 40mm                   | FS 3/40-180°  |
| 44mm                   | FS 3/44-180°  |
| 50mm                   | FS 3/50-180°  |
| 75mm                   | FS 3/75-180°  |
| 100mm                  | FS 3/100-180° |

| No. 4 Section - Large |               |
|-----------------------|---------------|
| Trim                  | Ref           |
| 26mm                  | FS 4/26-180°  |
| 43mm                  | FS 4/43-180°  |
| 50mm                  | FS 4/50-180°  |
| 80mm                  | FS 4/80-180°  |
| 102mm                 | FS 4/102-180° |

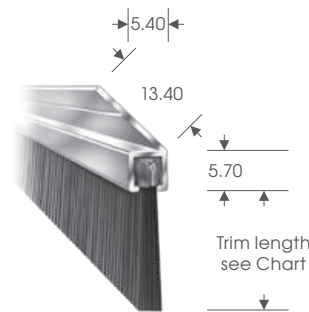
| No. 5 Section - XLarge |               |
|------------------------|---------------|
| Trim                   | Ref           |
| 46mm                   | FS 5/46-180°  |
| 50mm                   | FS 5/50-180°  |
| 66mm                   | FS 5/66-180°  |
| 80mm                   | FS 5/80-180°  |
| 102mm                  | FS 5/102-180° |
| 125mm                  | FS 5/125-180° |
| 150mm                  | FS 5/150-180° |
| 180mm                  | FS 5/180-180° |

| No. 6 Section - XXL Large |               |
|---------------------------|---------------|
| Trim                      | Ref           |
| 210mm                     | FS 6/210-180° |
| 250mm                     | FS 6/250-180° |
| 300mm                     | FS 6/300-180° |

Measurements are in mm and have a tolerance +/- and are provided as a guide only. All specifications are subject to change at any time without prior notification.

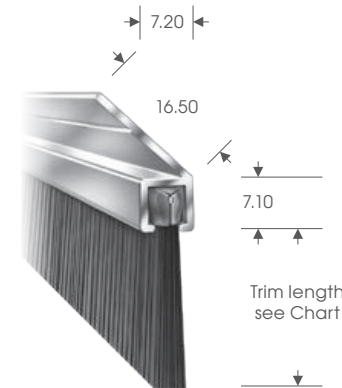
# Standard Brush Strip Range

## Carrier 45°



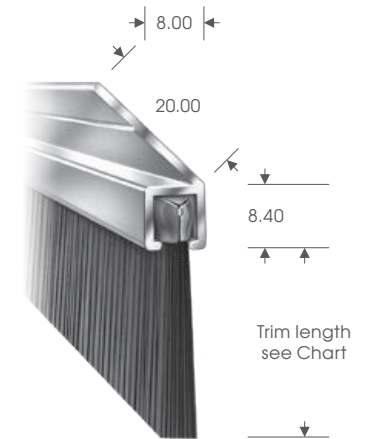
Aluminium thickness: 1.3mm

No. 1 Section - XSmall



Aluminium thickness: 1.7mm

No. 2 Section - Small



Aluminium thickness: 1.6mm

No. 3 Section - Medium

- ✓ Available in 6 section sizes with over 40 trim lengths or manufactured to customer specification.
- ✓ Carriers or Camstrip can be purchased separately.
- ✓ Standard lengths: 2m, 2.5m and 3m.
- ✓ Cut lengths are available on request.

### Standard materials

**Filaments** – Extruded from type 6 nylon:

- Hard wearing.
- Good memory.
- Working temperature range -40°C to +100°C.

**Metal backing** – Electro galvanised steel.

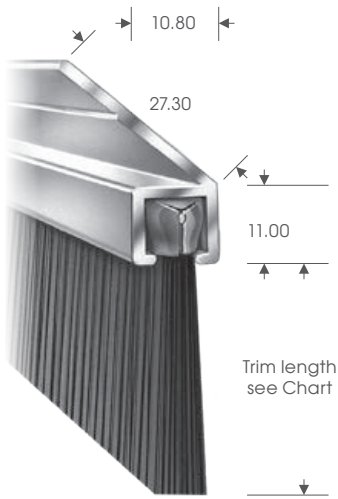
**Core wire** – Electro galvanised steel.

**Fixing carrier** – Mill finish extruded aluminium in 180°, 90° and 45° flanges.

### Non-standard items

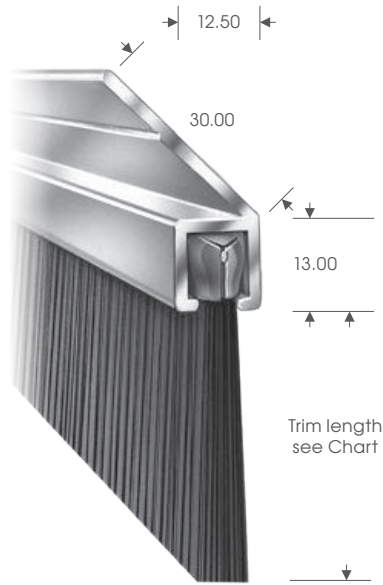
Non-standard seals are available to individual customer specification. These can include:

- Stainless steel backing tape.
- Metallic or natural fibre filaments.
- Coils or rings etc; made from standard or non-standard Brush Strip.
- Anodised or painted finishes available on request.



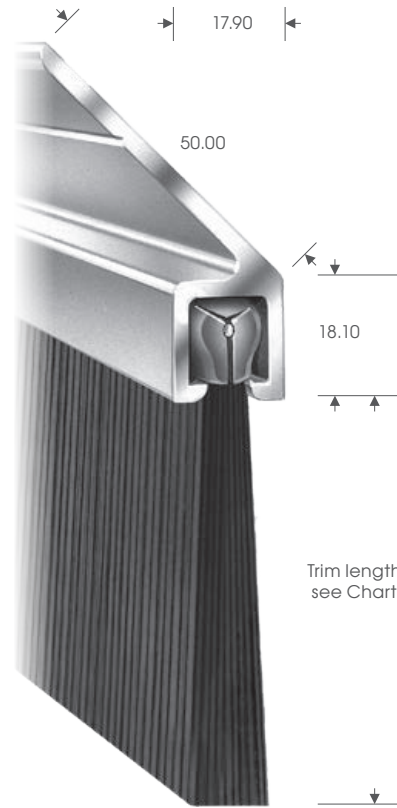
Aluminium thickness: 2.1mm

**No. 4 Section - Large**



Aluminium thickness: 1.9mm

**No. 5 Section - XLarge**



Aluminium thickness: 3.0mm

**No. 6 Section - XXLarge**



Suppliers to the pest control industry for the prevention of vermin

| No. 1 Section - XSmall |             |
|------------------------|-------------|
| Trim                   | Ref         |
| 7mm                    | FS 1/7-45°  |
| 10mm                   | FS 1/10-45° |
| 12mm                   | FS 1/12-45° |
| 15mm                   | FS 1/15-45° |

| No. 2 Section - Small |             |
|-----------------------|-------------|
| Trim                  | Ref         |
| 15mm                  | FS 2/15-45° |
| 20mm                  | FS 2/20-45° |
| 26mm                  | FS 2/26-45° |
| 34mm                  | FS 2/34-45° |
| 50mm                  | FS 2/50-45° |

| No. 3 Section - Medium |              |
|------------------------|--------------|
| Trim                   | Ref          |
| 17mm                   | FS 3/17-45°  |
| 20mm                   | FS 3/20-45°  |
| 26mm                   | FS 3/26-45°  |
| 34mm                   | FS 3/34-45°  |
| 40mm                   | FS 3/40-45°  |
| 44mm                   | FS 3/44-45°  |
| 50mm                   | FS 3/50-45°  |
| 75mm                   | FS 3/75-45°  |
| 100mm                  | FS 3/100-45° |

| No. 4 Section - Large |              |
|-----------------------|--------------|
| Trim                  | Ref          |
| 26mm                  | FS 4/26-45°  |
| 43mm                  | FS 4/43-45°  |
| 50mm                  | FS 4/50-45°  |
| 80mm                  | FS 4/80-45°  |
| 102mm                 | FS 4/102-45° |

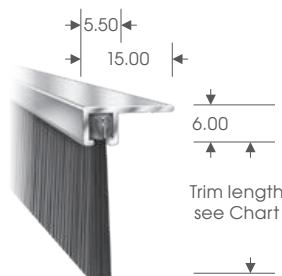
| No. 5 Section - XLarge |              |
|------------------------|--------------|
| Trim                   | Ref          |
| 46mm                   | FS 5/46-45°  |
| 50mm                   | FS 5/50-45°  |
| 66mm                   | FS 5/66-45°  |
| 80mm                   | FS 5/80-45°  |
| 102mm                  | FS 5/102-45° |
| 125mm                  | FS 5/125-45° |
| 150mm                  | FS 5/150-45° |
| 180mm                  | FS 5/180-45° |

| No. 6 Section - XXLarge |              |
|-------------------------|--------------|
| Trim                    | Ref          |
| 210mm                   | FS 6/210-45° |
| 250mm                   | FS 6/250-45° |
| 300mm                   | FS 6/300-45° |

Measurements are in mm and have a tolerance +/- and are provided as a guide only. All specifications are subject to change at any time without prior notification.

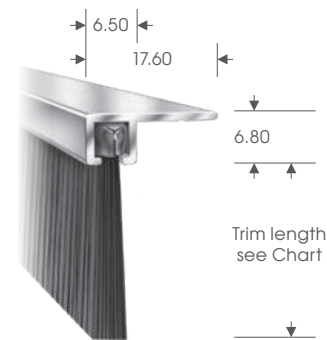
# Standard Brush Strip Range

## Carrier 90°



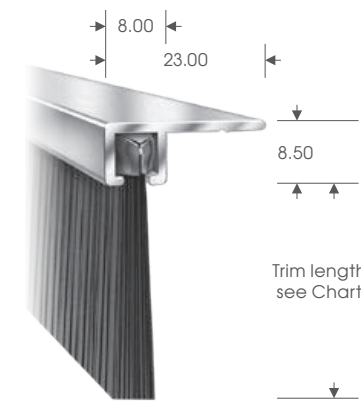
Aluminium thickness: 1.4mm

No. 1 Section - XSmall



Aluminium thickness: 1.5mm

No. 2 Section - Small



Aluminium thickness: 1.6mm

No. 3 Section - Medium

- ✓ Available in 6 section sizes with over 40 trim lengths or manufactured to customer specification.
- ✓ Carriers or Camstrip can be purchased separately.
- ✓ Standard lengths: 2m, 2.5m and 3m.
- ✓ Cut lengths are available on request.

### Standard materials

**Filaments** – Extruded from type 6 nylon:

- Hard wearing.
- Good memory.
- Working temperature range -40°C to +100°C.

**Metal backing** – Electro galvanised steel.

**Core wire** – Electro galvanised steel.

**Fixing carrier** – Mill finish extruded aluminium in 180°, 90° and 45° flanges.

### Non-standard items

Non-standard seals are available to individual customer specification. These can include:

- Stainless steel backing tape.
- Metallic or natural fibre filaments.
- Coils or rings etc; made from standard or non-standard Brush Strip.
- Anodised or painted finishes available on request.





Aluminium thickness: 2.1mm

**No. 4 Section - Large**



Aluminium thickness: 1.9mm

**No. 5 Section - XLarge**



Aluminium thickness: 3.2mm

**No. 6 Section - XXL Large**



| No. 1 Section - XSmall |             |
|------------------------|-------------|
| Trim                   | Ref         |
| 7mm                    | FS 1/7-90°  |
| 10mm                   | FS 1/10-90° |
| 12mm                   | FS 1/12-90° |
| 15mm                   | FS 1/15-90° |

| No. 2 Section - Small |             |
|-----------------------|-------------|
| Trim                  | Ref         |
| 15mm                  | FS 2/15-90° |
| 20mm                  | FS 2/20-90° |
| 26mm                  | FS 2/26-90° |
| 34mm                  | FS 2/34-90° |
| 50mm                  | FS 2/50-90° |

| No. 3 Section - Medium |              |
|------------------------|--------------|
| Trim                   | Ref          |
| 17mm                   | FS 3/17-90°  |
| 20mm                   | FS 3/20-90°  |
| 26mm                   | FS 3/26-90°  |
| 34mm                   | FS 3/34-90°  |
| 40mm                   | FS 3/40-90°  |
| 44mm                   | FS 3/44-90°  |
| 50mm                   | FS 3/50-90°  |
| 75mm                   | FS 3/75-90°  |
| 100mm                  | FS 3/100-90° |

| No. 4 Section - Large |              |
|-----------------------|--------------|
| Trim                  | Ref          |
| 26mm                  | FS 4/26-90°  |
| 43mm                  | FS 4/43-90°  |
| 50mm                  | FS 4/50-90°  |
| 80mm                  | FS 4/80-90°  |
| 102mm                 | FS 4/102-90° |

| No. 5 Section - XLarge |              |
|------------------------|--------------|
| Trim                   | Ref          |
| 46mm                   | FS 5/46-90°  |
| 50mm                   | FS 5/50-90°  |
| 66mm                   | FS 5/66-90°  |
| 80mm                   | FS 5/80-90°  |
| 102mm                  | FS 5/102-90° |
| 125mm                  | FS 5/125-90° |
| 150mm                  | FS 5/150-90° |
| 180mm                  | FS 5/180-90° |

| No. 6 Section - XXL Large |              |
|---------------------------|--------------|
| Trim                      | Ref          |
| 210mm                     | FS 6/210-90° |
| 250mm                     | FS 6/250-90° |
| 300mm                     | FS 6/300-90° |

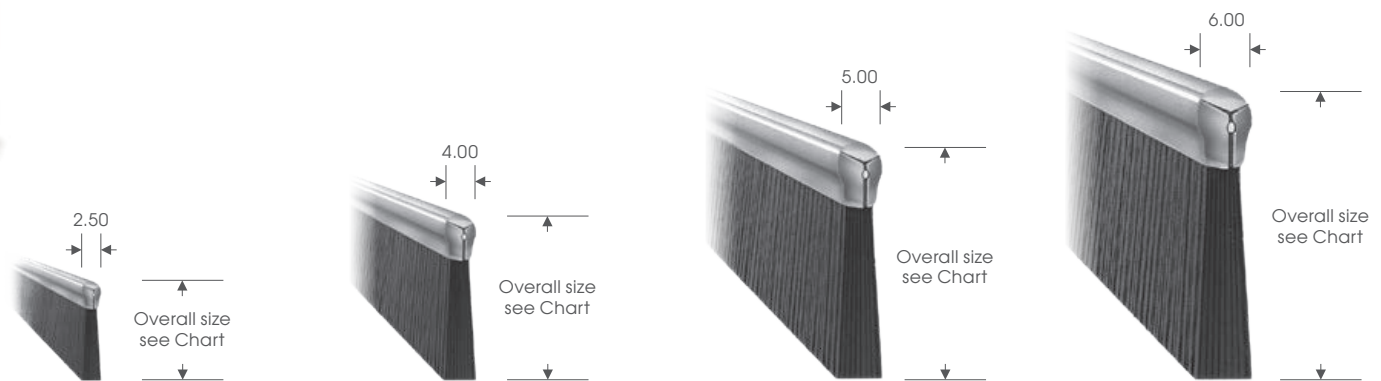
Measurements are in mm and have a tolerance +/- and are provided as a guide only. All specifications are subject to change at any time without prior notification.



# Camstrip

## Standard range - Brush Strip

If you do not find your brush size or filament in this brochure, please do not hesitate to contact us, as our expert staff shall be pleased to advise and assist you with your requirements.



No. 1 Section - XSmall

No. 2 Section - Small

No. 3 Section - Medium

No. 4 Section - Large

- ✓ Available in 6 section sizes with over 40 trim lengths or manufactured to customer specification.
- ✓ For use where our aluminium fixing carrier is not required.
- ✓ Standard lengths: 2m, 2.5m and 3m.
- ✓ Cut lengths are available on request.

### Standard materials

**Filaments** – Extruded from type 6 nylon:

- Hard wearing.
- Good memory.
- Working temperature range -40°C to +100°C.
- Non-standard filaments include; horse hair, polypropylene, natural fibre or metallic.

**Metal backing** – Electro galvanised steel (stainless steel available on request).

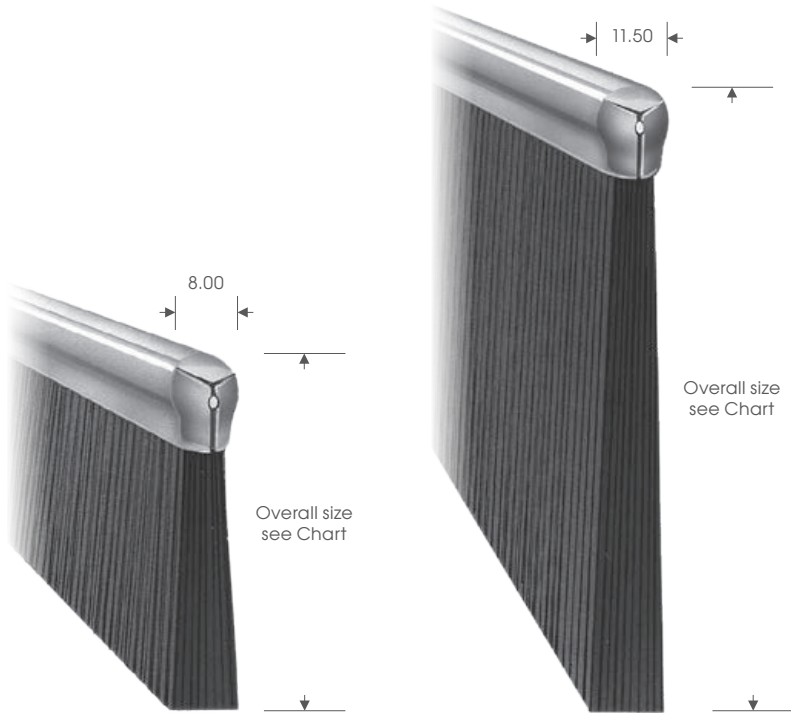
**Core wire** – Electro galvanised steel (stainless steel available on request).

| No. 1 Section - XSmall |        |      |       |
|------------------------|--------|------|-------|
| Overall                | Ref    | W    | Fill* |
| 12mm                   | CS1/12 | 2.50 | 0.15  |
| 14mm                   | CS1/14 | 2.50 | 0.15  |
| 16mm                   | CS1/16 | 2.50 | 0.15  |
| 19mm                   | CS1/19 | 2.50 | 0.15  |

Measurements are in mm and have a tolerance +/- and are provided as a guide only.

All specifications are subject to change at any time without prior notification.

\* Bristle diameter. Fill material: Nylon 6.



No. 5 Section - XLarge

No. 6 Section - XXLLarge

| No. 2 Section - Small |        |      |       |
|-----------------------|--------|------|-------|
| Overall               | Ref    | W    | Fill* |
| 20mm                  | CS2/20 | 4.00 | 0.15  |
| 25mm                  | CS2/25 | 4.00 | 0.15  |
| 32mm                  | CS2/32 | 4.00 | 0.15  |
| 40mm                  | CS2/40 | 4.00 | 0.15  |
| 56mm                  | CS2/56 | 4.00 | 0.15  |

| No. 3 Section - Medium |         |      |       |
|------------------------|---------|------|-------|
| Overall                | Ref     | W    | Fill* |
| 24mm                   | CS3/24  | 5.00 | 0.15  |
| 27mm                   | CS3/27  | 5.00 | 0.15  |
| 33mm                   | CS3/33  | 5.00 | 0.20  |
| 40mm                   | CS3/40  | 5.00 | 0.20  |
| 46mm                   | CS3/46  | 5.00 | 0.20  |
| 50mm                   | CS3/50  | 5.00 | 0.20  |
| 56mm                   | CS3/56  | 5.00 | 0.20  |
| 81mm                   | CS3/81  | 5.00 | 0.20  |
| 106mm                  | CS3/106 | 5.00 | 0.30  |

| No. 4 Section - Large |         |      |       |
|-----------------------|---------|------|-------|
| Overall               | Ref     | W    | Fill* |
| 33mm                  | CS4/33  | 6.00 | 0.20  |
| 51mm                  | CS4/51  | 6.00 | 0.30  |
| 57mm                  | CS4/57  | 6.00 | 0.20  |
| 87mm                  | CS4/87  | 6.00 | 0.30  |
| 109mm                 | CS4/109 | 6.00 | 0.40  |

| No. 5 Section - XLarge |         |      |       |
|------------------------|---------|------|-------|
| Overall                | Ref     | W    | Fill* |
| 57mm                   | CS5/57  | 8.00 | 0.50  |
| 61mm                   | CS5/61  | 8.00 | 0.40  |
| 77mm                   | CS5/77  | 8.00 | 0.30  |
| 91mm                   | CS5/91  | 8.00 | 0.40  |
| 113mm                  | CS5/113 | 8.00 | 0.50  |
| 136mm                  | CS5/136 | 8.00 | 0.50  |
| 161mm                  | CS5/161 | 8.00 | 0.50  |
| 191mm                  | CS5/191 | 8.00 | 0.50  |

| No. 6 Section - XXLLarge |         |       |       |
|--------------------------|---------|-------|-------|
| Trim                     | Ref     | W     | Fill* |
| 225mm                    | CS6/225 | 11.50 | 0.90  |
| 265mm                    | CS6/265 | 11.50 | 0.90  |
| 315mm                    | CS6/315 | 11.50 | 1.20  |



# Brush Strip Specials

Non-standard brush filaments are available on request and may include special trim fills including fibre, metallic, horse hair, polypropylene, copper wire to name a few.

- Fixing carriers can be powder coated / anodised to your requirements.
- Non-standard brush filaments are available on request.

*Please contact our technical team to discuss your requirements.*



Non-standard brush filaments available on request



## Custom slots on carrier Brush Strip

Fixing carriers can be supplied with custom slots, both round and obround mounting holes between 3.2mm and 22mm diameter.

- Custom space between the slots.
- Obround slots can be centre or on the top of the fixing carrier.
- Sample may be provided to your drawing / specification prior to production run.
- Please contact our technical team to discuss your requirements.

*Customised orders are non-returnable.*

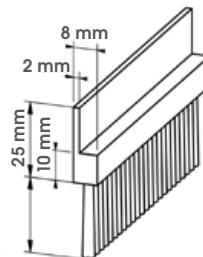
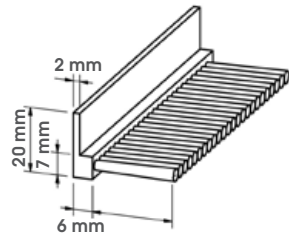
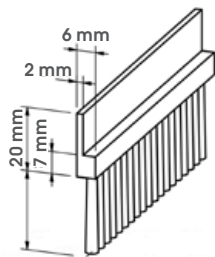
# Flexible Brush Strip

## Upright Carrier 180° "H" Profile with brush 180° & 90°

Flexible brush strip easily adapts to each shape thanks to its flexible profile. It can be used for multiple applications, which including sealing, guiding, wiping, slowing down and pressing.

### Core materials:

- The standard core material is thermoplastic rubber
- Polypropylene 0.2 (standard filament)



| "H" Profile 180° |           |
|------------------|-----------|
| Trim             | Ref (583) |
| 20mm             | FSH2020   |
| 30mm             | FSH2030   |
| 40mm             | FSH2040   |
| 50mm             | FSH2050   |

| "H" Profile 90° |           |
|-----------------|-----------|
| Trim            | Ref (584) |
| 20mm            | FSH920    |
| 30mm            | FSH930    |
| 40mm            | FSH940    |
| 50mm            | FSH950    |

| "H" Profile 180° |           |
|------------------|-----------|
| Trim             | Ref (585) |
| 20mm             | FSH20     |
| 30mm             | FSH30     |
| 40mm             | FSH40     |
| 50mm             | FSH50     |

*Polypropylene 0.2 (standard filament)*

All profiles are delivered in convenient 25 metre rolls for you to cut to the length you need.



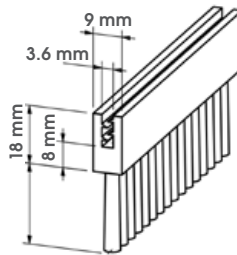
- ✓ Available in 25 metre lengths
- ✓ Available in several different profiles
- ✓ Available in four different brush trim lengths: 20mm, 30mm, 40mm and 50mm
- ✓ Available from stock, ex works



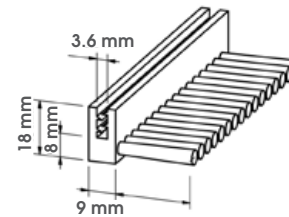
# Flexible Brush Strip

## Clip On Profile with brush 180° & 90°

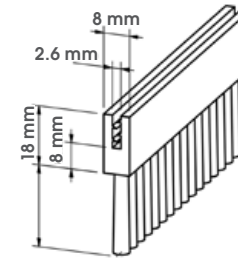
Flexible brush strip easily adapts to each shape thanks to its flexible profile. It can be used for multiple applications, which including sealing, guiding, wiping, slowing down and pressing.



| Clip On Profile 180° |           |
|----------------------|-----------|
| Trim                 | Ref (589) |
| 20mm                 | FSC3620   |
| 30mm                 | FSC3630   |
| 40mm                 | FSC3640   |
| 50mm                 | FSC3650   |

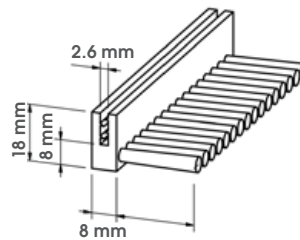


| Clip On Profile 90° |           |
|---------------------|-----------|
| Trim                | Ref (590) |
| 20mm                | FSC93620  |
| 30mm                | FSC93630  |
| 40mm                | FSC93640  |
| 50mm                | FSC93650  |

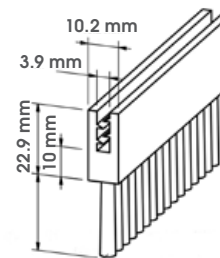


| Clip On Profile 180° |           |
|----------------------|-----------|
| Trim                 | Ref (591) |
| 20mm                 | FSC20     |
| 30mm                 | FSC30     |
| 40mm                 | FSC40     |
| 50mm                 | FSC50     |

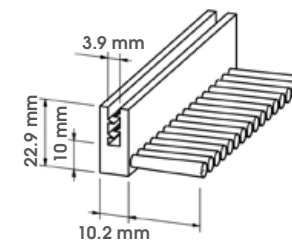
Polypropylene 0.2 (standard filament)



| Clip On Profile 90° |           |
|---------------------|-----------|
| Trim                | Ref (592) |
| 20mm                | FSC92620  |
| 30mm                | FSC92630  |
| 40mm                | FSC92640  |
| 50mm                | FSC92650  |



| Clip On Profile 180° |           |
|----------------------|-----------|
| Trim                 | Ref (593) |
| 20mm                 | FSC3920   |
| 30mm                 | FSC3930   |
| 40mm                 | FSC3940   |
| 50mm                 | FSC3950   |



| Clip On Profile 90° |           |
|---------------------|-----------|
| Trim                | Ref (594) |
| 20mm                | FSC93920  |
| 30mm                | FSC93930  |
| 40mm                | FSC93940  |
| 50mm                | FSC93950  |

Polypropylene 0.2 (standard filament)

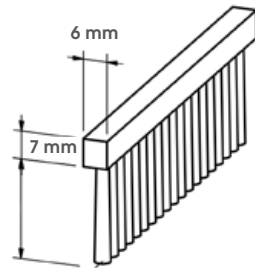
# Flexible Brush Strip

## Square profile

This is a flexible tufted brush strip that adapts easily to any profile, with its square block channel. Constructed with a flexible thermoplastic core supplied with polypropylene filament material, this product is ideal for sealing, guiding, wiping and pressing.

| Square profile |       |
|----------------|-------|
| Trim           | Ref   |
| 20mm           | FSQ20 |
| 30mm           | FSQ30 |
| 40mm           | FSQ40 |
| 50mm           | FSQ50 |

Polypropylene 0.2 (standard filament)



*Suitable for fitting to your own carrier, the channel measures; 7mm height x 6mm width square block channel.*



The very nature of Formseal's flexible brush range will help you to find a solution to any sealing problem you may have.

### Assembly

Cut to length using wire cutters. Cut to any length you wish with no wastage. There are various methods for fixing;

1. Double-sided adhesive tape
2. Screws
3. Glue
4. Slide into the 'existing' profile

Contact us for a Free Sample!

### Advantages

- Very flexible brush, which follows each shape effortlessly
- Manufactured from durable and high-quality thermoplastic rubber
- UV and ozone resistant, chemical resistant and resistant to temperatures from -40° to maximum 125°C
- You can cut the right size yourself due to a special opening in the box
- Less storage needed thanks to a flat stackable box
- Cost saving on transport (multiple boxes can be shrink wrapped together as one consignment)



# Industrial Doors

## Roller shutters



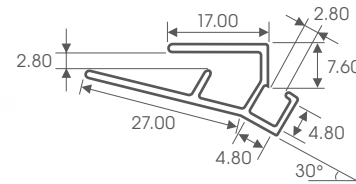
- Clip on brushseal for roller shutter and door guide channels.
- Profiled door sections effectively sealed by independent movement of brush filaments.
- Simple fitting – No mechanical fixings required.
- Low friction seal for smooth operation of roller doors.
- Prevents draughts and door vibration.

### Sides – **Rollerseal** - Available in black and white

Clip on PVCU carrier with 34mm brush insert as standard – No mechanical fixings. Prevents draughts, door vibration etc. Supplied in a 3m length.



Ref: Rollerseal black and Rollerseal white



### Bottom – **Bumperseal**

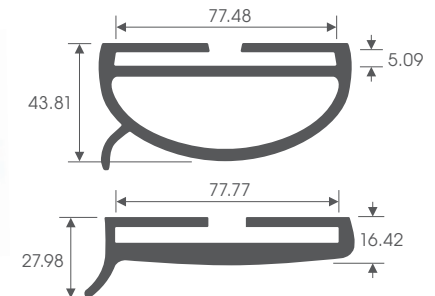
Clip on EPDM rubber 'D' section (available in 2 types) – no mechanical fitting required. Supplied in rolls of: 5m, 10m, 20m and 40m. Fits up to 75mm T-bar.



Ref: RB5, RB10 and RB20



Ref: RB10N, RB20N and RB40\*

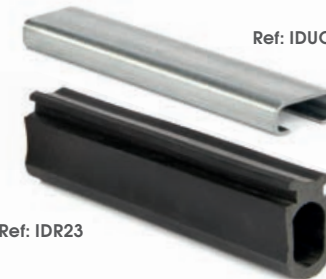


### Top – **Brushseal**

Standard straight Brush Strip. Fitted to overhead lintel to seal to the face of the door. See our standard Brush Strip range.

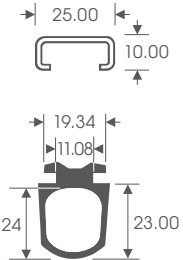
### Bottom – **Alternative when T-bar absence**

Galvanised metal section IDUC & rubber seal IDR23 can be used as an alternative to the Bumperseal product.



Ref: IDUC

Ref: IDR23



Measurements are in mm.



A variety of sealing solutions for all types of doors



# Industrial Doors

## Insulated roller shutters



- Clip on pile seal for insulated roller shutter guide channels.
- Simple fitting – No mechanical fixings required.
- Low friction seal for smooth operation of Insulated roller doors.
- Prevents draughts and door vibration.

Ref: ISDS



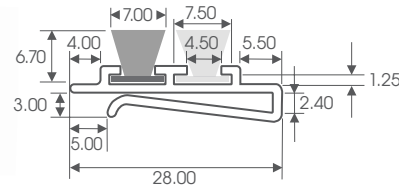
Supplied in 3m length.

Ref: ISDS/A



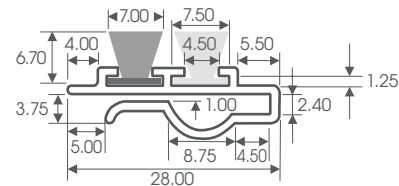
Supplied in 3.2m length.

Ref: ISDS



Pile seal height 5mm. Overall height 6.8mm.

Ref: ISDS/A

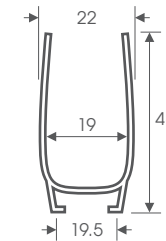


Pile seal height 5mm. Overall height 6.8mm.

Measurements are in mm.



Ref: IDCC

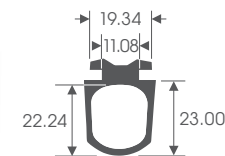


IDCC

Clip on to the bottom of Insulated roller doors.

IDR23 is designed to slide in to the carrier to seal the bottom of the door. Simple fitting – Just clips on, no mechanical fixings required. Prevents draughts and door vibration.

Ref: IDR23



# Industrial Doors

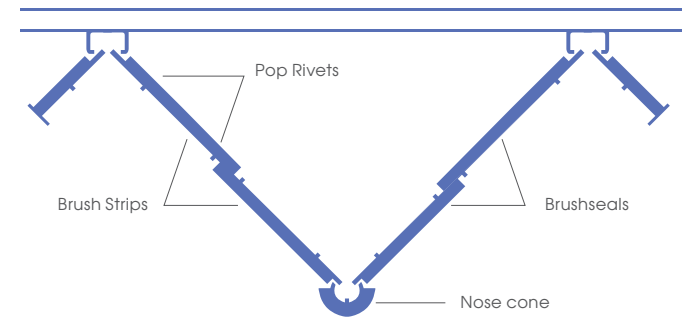
## Concertina



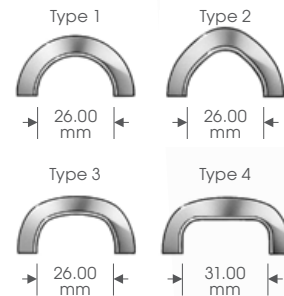
**Concertina door kits**  
Specially manufactured kits individually tailored to suit any size or make of door, suitable to seal top and bottom.

Individually assembled kits designed to seal most makes of Concertina/Folding shutter doors. Each kit contains pre-cut and punched lengths of Formseal No. 3 section and specially formed nose pieces suitable for sealing the top and bottom of Concertina/Folding shutter doors.

Kits are available in 20mm, 34mm and 50mm brush trim lengths. All products are aluminium mill finish. Brushes are black with nylon 6 filament. Panels are available in 3 sizes; 6" (150mm), 9" (230mm) or 12" (300mm).



### Nose cone styles



### Brush Strips

Panels are sold in pairs in 3 different lengths: 6" (150mm), 9" (230mm) or 12" (300mm).  
Brush trim in 3 different lengths: 20mm, 34mm or 50mm.



# Garage Doors

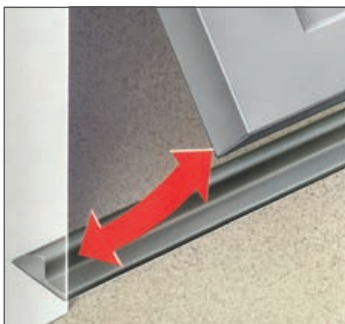
## Rubber Seals



Top of garage door.



Bottom of garage door.

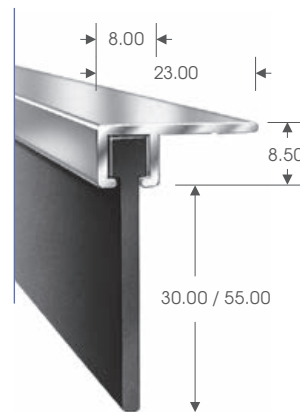


Floor and bottom of garage door.

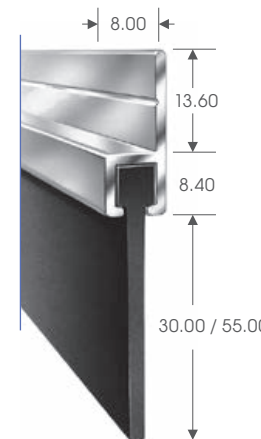
### Rubber Seal - RS

Like the Brush Strip range, we are able to offer an aluminium carrier complete with rubber insert for your garage doors.

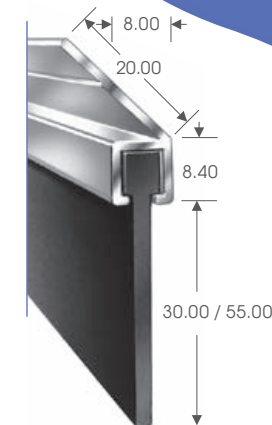
- Ideal seal for top and bottom of garage doors.
- Long service life weather seals which withstand hot/cold extreme temperatures.
- EPDM Rubber inserts for our No. 3 section carrier:
  - No. 3 section - **30mm** trim out:
    - Ref: RS3/30-180°
    - Ref: RS3/30-45°
    - Ref: RS3/30-90°
  - No. 3 section - **55mm** trim out:
    - Ref: RS3/55-180°
    - Ref: RS3/55-45°
    - Ref: RS3/55-90°
- Aluminium standard lengths in 2m, 2.5m and 3m.
- Rubber can be supplied in a continuous length up to 25m.



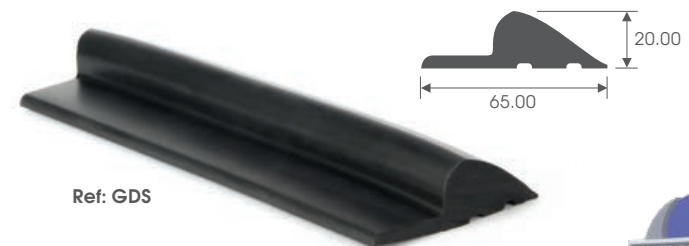
Rubber Seal 90°



Rubber Seal 180°



Rubber Seal 45°



Ref: GDS



### Garage Door Seal - GDS

This garage door floor threshold seal is ideal for domestic and commercial garage doors. 20mm depth, this versatile and quality product provides you with a flexible sealing solution. Maximum length we can supply in a complete roll is 25m. Price per metre.



# Domestic Doors

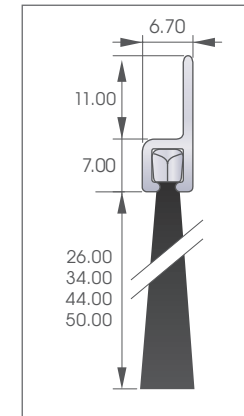
## Bottom & Centre Door Seals



### Bottom Door Seals

- Formseal No. 2 section available in 4 trim lengths.
- Housed in pre-slotted aluminium fixing carrier.
- 914mm (36 inches).

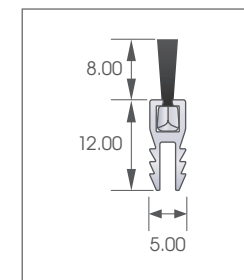
Ref: BDA36/20 (26mm)  
BDA36/34 (34mm)  
BDA36/44 (44mm)  
BDA36/50 (50mm)



### Centre Door Seal

- Rebated door seal for situations where a surface mounted fix is unacceptable.
- Length 2.1m.
- Brush trim available in 4 trim lengths: 8mm, 10mm, 12mm or 15mm.

Ref: CSN157/1



# Domestic Doors

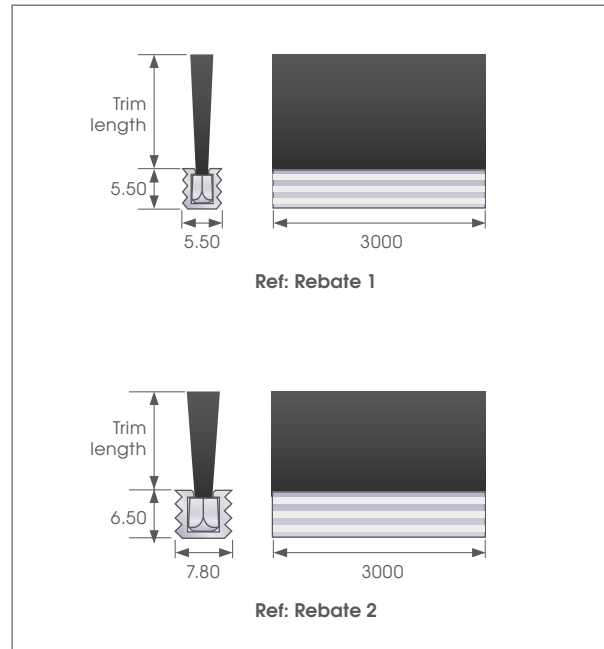
## Centre Door Seals

### Rebate Channels

- Rebated door seals for situations where a surface mounted fix is unacceptable.
- Length 3m

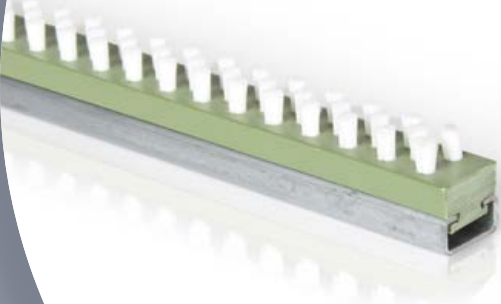
Rebate 1 - 7mm  
10mm  
12mm  
15mm

Rebate 2 - 15mm  
20mm  
26mm  
34mm  
50mm

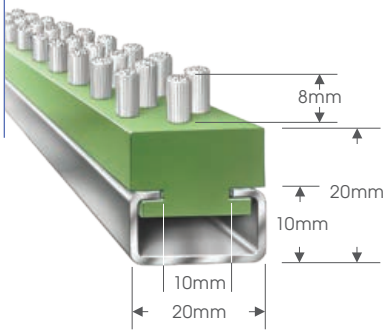


# Special Products

## Lath Brush

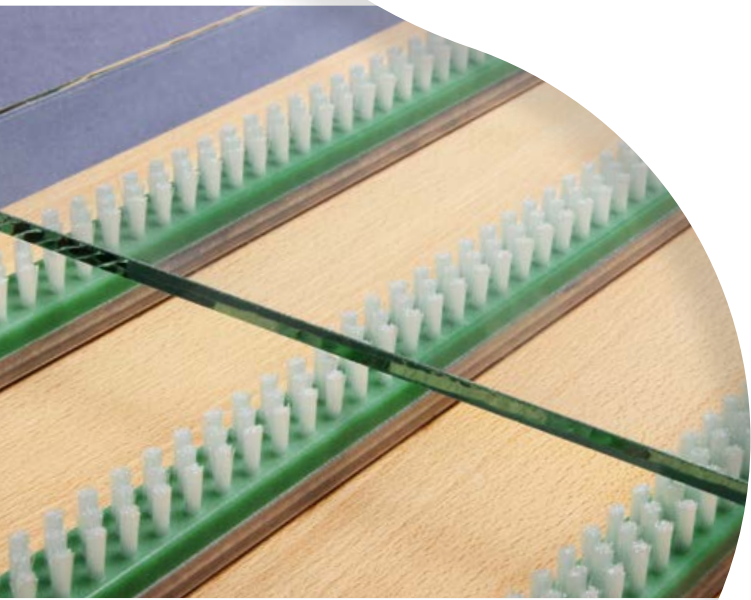


**Lath Brush - Ref: LB37**  
**Lath Carrier - Ref: LC37**  
*LB37 and LC37 can be purchased separately.*



Plastic section with filaments punched directly into the stock. Designed to fit on working table surfaces to enable fragile items such as sheets of glass etc. to be handled without scratching.

Lath Brushes are intelligent systems which make production stages more efficient. Supplied in 2m lengths. Lath Brush and Lath Carrier to be purchased separately and are priced as separate items.



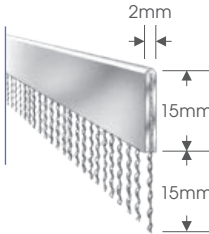
## Antistatic Brush

Manufactured using stainless steel yarn and carbon fibre, ideal for discharging static energy. Hairs can be cut to length.

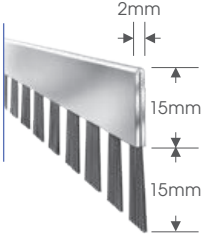
Available in 2 types; **stainless steel yarn** or **carbon fibre Antistatic Brushes** supplied in 1m lengths with a 15mm trim.

Both with an integral backing tape.

Ref: ASSS1510

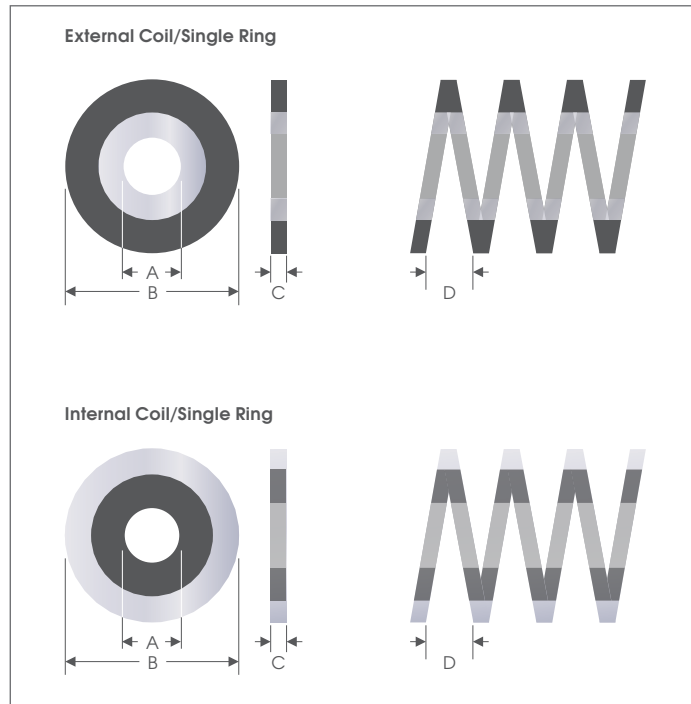


Ref: ASCF1510



# Special Products

## Brush Strip, Coils & Rings



### External & Internal Coils/Single Rings

- **A** Inside diameter  $\varnothing$  ...mm
- **B** Outside diameter  $\varnothing$  ...mm
- **C** Profile width ...mm
- **D** Brush pitch ...mm

*Please contact our technical team to discuss your requirements.*

Formseal offer numerous special products such as Lath Brushes, Antistatic Brushes, Flexible Brush Strip and more.

If you have a specific enquiry, then feel free to get in touch, and we will do our best to help you!

Free, no obligation quotation. Contact us TODAY!



### Formseal can assist in a variety of speciality products like:

- Cup Brushes
- Formed sections – With or without aluminium carrier.
- Special trim fills – Fibre / metallic / horse hair etc.

### Information required:

- Application
- Brush type / Fill material
- Carrier finish
- Section / Profile size
- Outside diameter
- Inside diameter
- degree of segment

*Please contact our technical team to discuss your requirements.  
\*Allow lead times as these are non standard\**



Formseal Limited are the market leader  
in supply of Brush Strip Seals and ancillary products.

## Formseal Limited

Unit 5  
Douglas Park  
Opal Way  
Stone Business Park  
Stone ST15 0YJ  
United Kingdom

Tel: +44 (0)1785 284808  
Email: [sales@formseal.co.uk](mailto:sales@formseal.co.uk)

[www.formseal.co.uk](http://www.formseal.co.uk)

