

SOLAR POWERED CARPORTS

Electric Vehicle Charging Structure



Even greener charging solutions for:

- Retail Parks • Shopping Centres • Hotels • Residential • Supermarkets • Airports
- Offices • Service Stations • Fleet Vehicle Businesses.

The Zenith Solar Powered Carports are available in standard modular sizes, with options on energy storage solutions.

Using roofing with built-in solar panels allows outdoor spaces to be optimised while simultaneously meeting the clients' energy needs. The Zenith Solar Carport photovoltaic system offers covered parking for staff and customers and optimal use of sun exposure to accumulate energy. Our Solar Carport structure is a modular system that can be customised in terms of colour and size, offering great aesthetics and all the benefits of an integrated photovoltaic system. The modular nature of the Zenith Solar Carport makes it easily adaptable for multiple cars at a Head Office or Supermarket or residential properties with one or two cars.

SOLAR POWERED CARPORTS

Electric Vehicle Charging Structure

- **Modular Solar Panels** – with 25 year guarantee, producing up to 172W per m²
- **Inverter** – ensuring safe transfer of electricity from solar panel to charger. Incorporated with automatic power surge safety switch. Guaranteed for 10 years.
- **Batteries** – utilising the latest in battery technology with lithium iron phosphate. They have the ability to maintain peak power during any charge state. Guaranteed for 10 years.

Standard photovoltaic kits offered:

- 5kW kit consisting of 12 panels

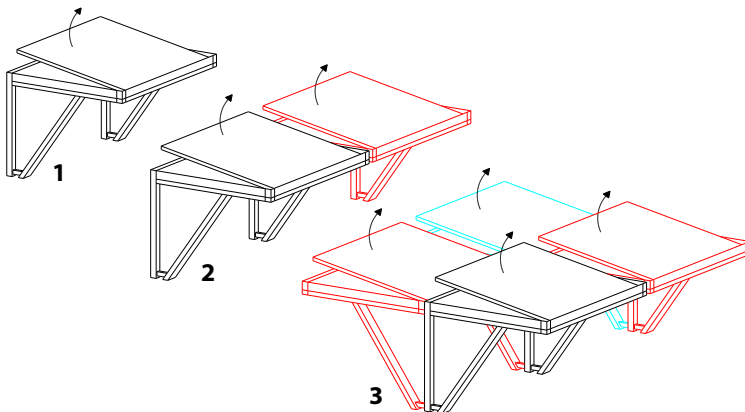
All standard kits include:

- 5kWh battery pack
- 4G remote control system monitor
- Hybrid Inverter output 4kW

Upgrades include:

- Higher Capacity Battery Packs 6kWh – 10kWh – 12kWh
- Array of options for wall-box charge units

SIZE (Approximately)	Number of Panels	Nominal Power Output kW
1 SINGLE STRUCTURE		
5.74 x 4.89 M	12	Approx. 5kW
2 COUPLED STRUCTURE		
11.30 x 4.89 M	24	Approx. 10kW
3 MIRRORED COUPLED STRUCTURE		
11.30 x 9.60 M	48	Approx. 20kW



See below our colour range for standard metalwork and canopy colours. We can, if required, powdercoat our structures to any colour of your choice for an additional charge.

Standard Colour Range

Structure Colour	PVC Colour	Structure Colour	PVC Colour
✓ RAL 9010	✓	✓ RAL 6018	✗
✗ Beige 226	✓	✓ RAL 6016	✓
✓ RAL 1014	✓	✓ RAL 6005	✗
✓ RAL 1001	✗	✓ RAL 6026	✓
✗ RAL 2011	✓	✓ RAL 7035	✓
✓ RAL 2001	✗	✓ RAL 7038	✓
✓ RAL 3000	✓	✓ RAL 7037	✓
✓ RAL 3011	✓	✓ Anthracite	✗
✓ RAL 8014	✗	✓ RAL 5015	✓
✓ RAL 8017	✗	✓ RAL 5010	✗
✓ RAL 7002	✗	✗ RAL 5002	✓
✓ RAL 1013	✓	✓ RAL 7015	✗
✗ Ivory 205	✓	✓ RAL 9005	✗
✗ RAL 1021	✓	✓ RAL 9006	✗
✗ RAL 1003	✓		

To discuss your project or to arrange a **no obligation site survey** please call **0118 978 9072**