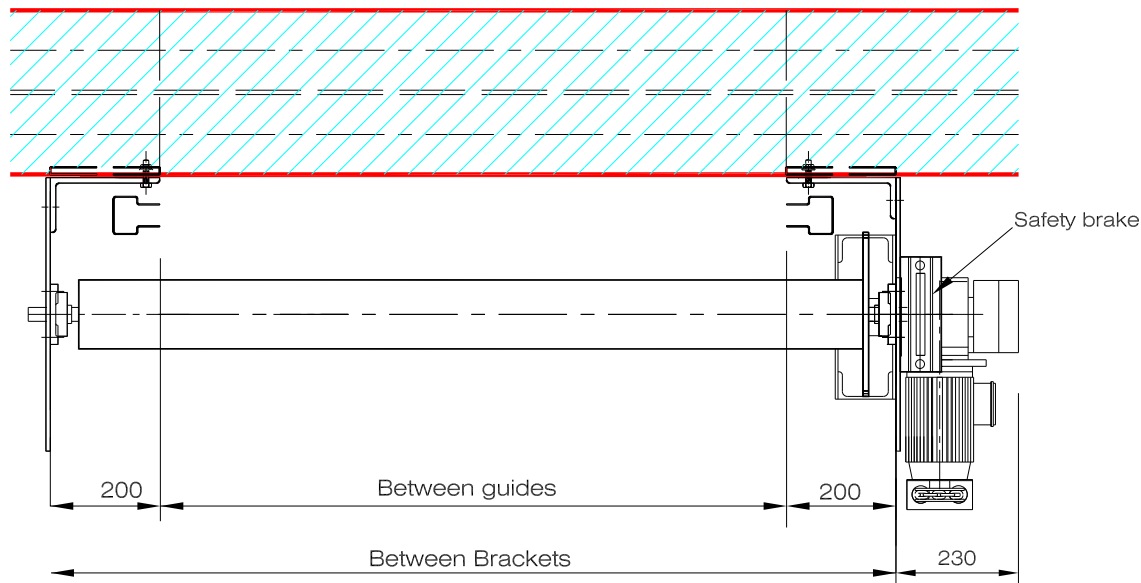
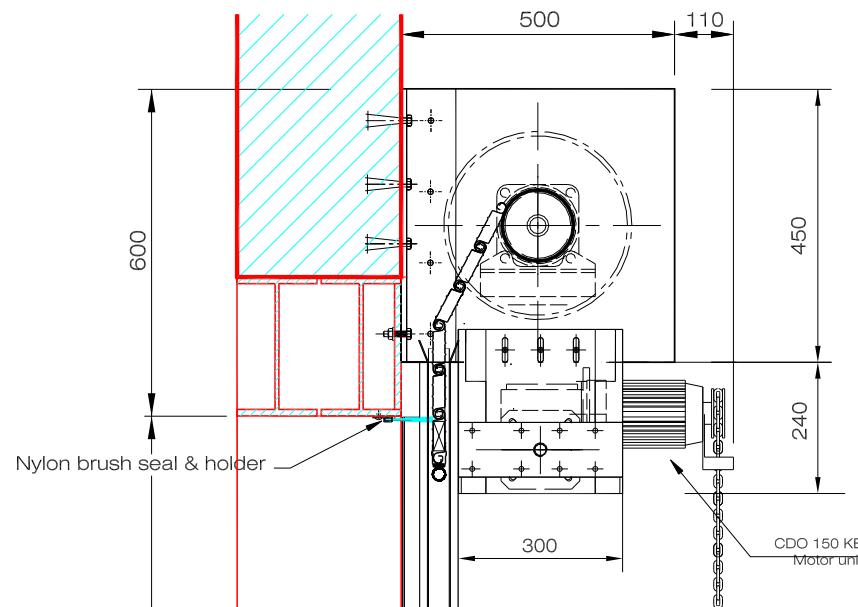


OUTSIDE

PLAN ON GUIDES



PLAN AT HEAD



Clear opening height

OUTSIDE

NOTES!

Electric operator complete with integral limit switch assembly, emergency hand chain and starter reverser supplied by Avon Industrial Doors Ltd.

Client to provide a 400v, 3 phase plus neutral, 50Hz electric supply, protected by a 10amp MCB, and terminated at a 4 pole 16 amp isolator sited within 1 metre of opening on the motor side.

Site wiring, connection and commissioning to be undertaken by others unless previously agreed as part of the contract

ALL electrical work to be completed by a suitably qualified electrician.

Neoprene bottom seal

F.F.L.

SECTION

NOT TO SCALE