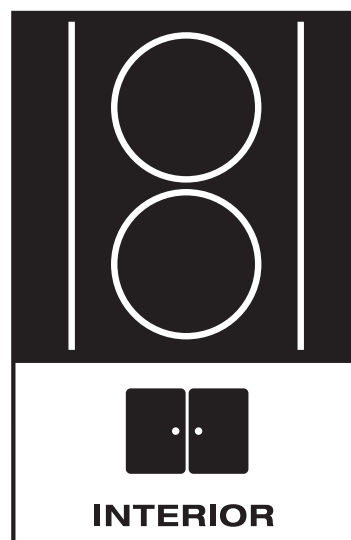
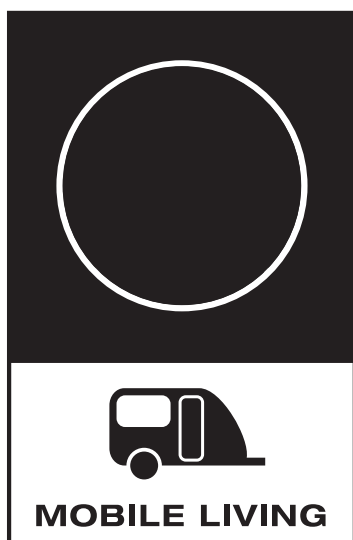


CATALOGUE



B.

Berker Business Solutions

Our terms of sale, delivery and payment apply exclusively.

Our publications are intended to provide information to the best of our knowledge and are in no way intended to be legally binding.
Illustrations are not binding, especially with regard to colour, size and equipment of the products shown.

Industrial property rights exist for many of the products.

We reserve the right to make technical and formal changes to our products in the interest of technical progress.

All items in this catalogue which are subject to CE regulations bear the CE mark on their packaging label and on the product itself.

BERKER INTEGRO BERKER INTEGRO MODULE INSERTS	PRODUCT CONCEPT, OVERVIEW OF COLOURS SOCKET OUTLETS, DATA/TELECOMMUNICATIONS, SWITCHES, PUSH-BUTTONS, ROTARY DIMMERS, CONTROL UNITS, ACCESSORIES	6-47
BERKER INTEGRO FLOW	FRAMES, SURFACE-MOUNTED HOUSINGS	48-57
BERKER INTEGRO CLASSIC	FRAMES, SURFACE-MOUNTED HOUSINGS	58-67
BERKER INTEGRO PURE	FRAMES, SURFACE-MOUNTED HOUSINGS	68-73
BERKER TWIN	SOCKET OUTLETS, COVERS, CENTRAL INSERTS, FRAMES	74-81
BERKER TWIN-BOX	INDIVIDUAL APPLIANCE COMBINATION, INSTALLATION INSTRUCTIONS, COMBINATIONS, ACCESSORIES	82-95
BERKER INTEGRO-BOX	INTEGRO BOX WITH SCHUKO SOCKET OUTLET, INTEGRO BOX ASSEMBLY SET	96-101
BUILT-IN SOCKET OUTLETS	OVERVIEW BUILT-IN SOCKET OUTLETS, INTEGRO SOCKET OUTLETS	102-115
BERKER RADIO TOUCH	INSTALLATION INSTRUCTIONS, RADIO TOUCH, FRAMES	116-123
MEDICAL ENGINEERING	SOCKET OUTLETS, ACCESSORIES, DATA COMMUNICATION FRAMES (PLASTIC)	124-135
SOLUTIONS	BERKER MANUFAKTUR, SPECIAL CABLE TRUNKING SOLUTIONS, CABLE TRUNKINGS ON A ROLL, DISTRIBUTION BOARDS	136-145
APPENDIX	CLEANING INSTRUCTIONS, TECHNICAL INFORMATION, T&CS, PRODUCT OVERVIEW	146-164



B.

Berker Business Solutions

IDEAS, PERFECTION, BUT ABOVE ALL A PASSION FOR EXCELLENT DESIGN – BERKER THE RIGHT WAY.

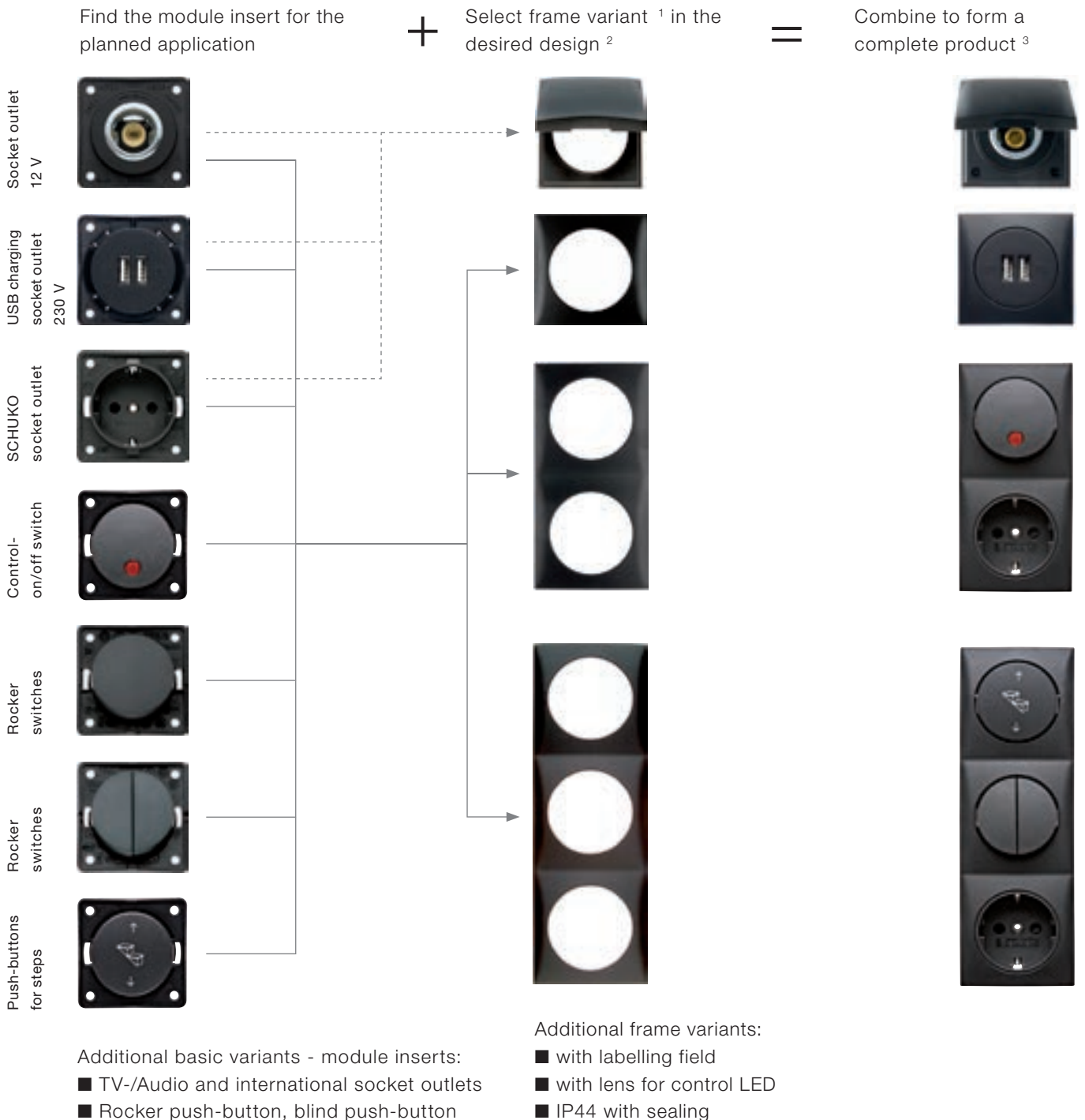
Do you know how to create a living space that combines comfort with individuality? At Berker we have been working on this since 1919 – and we have found some very interesting answers. Berker switches and systems are in use all over the world, making life more beautiful, easier and more comfortable. We place the utmost emphasis on quality, design and innovation. This is confirmed by the numerous awards we have received both at home and abroad. Berker is a leading supplier of high-quality electrical installations – from timelessly classic switch design through to intelligent building management systems. With Berker you not only offer your customers products to suit every taste, you also offer your customers the latest state of the art - with Berker - the right way.



The Berker Integro switch system satisfies the most rigorous requirements: modern design variants, rapid mounting, integration of modern communications systems. In addition the attractive fashionable colours and surfaces offer scope for flexible interior design.

- Ultra-compact design - particularly suitable for use in mobile homes, ambulances, kitchen furnishings, electrical appliances or for furniture building and bathroom fittings
- Also fulfils special requirements, for example in boat construction and in laboratories
- Modular product concept
- Three different, modern design variations available - Integro Flow, Classic and Pure
- Exceptionally wide range of colours
- Elegant glossy and matt structured surfaces with a smooth touch
- Colours, imprints and materials can be tailored to individual customer needs.

The Berker Integro switch system continues Berker's tradition of a modular product concept. In this regard the module inserts of Berker Integro have already been complemented with the matching functional cover, such as rocker, setting knob and centre plate. Thus all that remains is to combine a module insert with the frame in the appropriate colour, required execution variant, and with the desired design Integro Classic, Flow or Pure. The complete product is ready. In addition Berker Integro is convincing with its product depth that satisfies any requirement. From the simple connection of TV/audio technology to the switching of light fixtures and the international standardization of the connector systems - with Berker Integro you will find the right solution for your requirement.



¹frame 1gang to 3gang suitable for vertical or horizontal mounting

²Here shown in the INTEGRO FLOW design

³Complete products and multiple combinations are shown as examples only

The product depth, as well as the function and country variants of Berker Integro are perfectly supplemented by a variety of colour and surface versions. In the overview below the standard colour variants in the high-quality surface structures of the three Integro design lines are presented. Additional colour and surface variants are possible on request.

Colour variant	Surface condition	similar to RAL hue
----------------	-------------------	--------------------

brown	matt	RAL 8017
anthracite	matt	RAL 7021
grey	glossy	RAL 7038
polar white	glossy	RAL 9010
black	matt	RAL 9011
black	glossy	RAL 9005
granite black	silk matt, lacquered	RAL 7026
chrome	matt, lacquered	RAL 9006
chrome	glossy, galvanised	RAL 9023
chrome	matt, galvanised	RAL 9006
stainless steel	lacquered	RAL 9022
gold	glossy, galvanised	

Integro FLOW	Integro CLASSIC	Integro PURE
--------------	-----------------	--------------

SOCKET OUTLETS

red	glossy	RAL 3002
green	glossy	RAL 6032
orange	glossy	RAL 2008



SCHUKO SOCKET OUTLETS	12 - 17
SOCKET OUTLETS WITH EARTHING CONTACT	17 - 20
SOCKET OUTLETS WITH EARTHING PIN	21
SOCKET OUTLETS WITHOUT EARTHING CONTACT	22
CONNECTING DEVICES 12 V	23 - 24
USB CHARGING SOCKET OUTLETS	25 - 26
TV/MULTIMEDIA	26 - 31
ROCKER SWITCHES	32 - 36
ROCKER PUSH-BUTTONS	37 - 38
BLIND PUSH-BUTTONS	39
REVERSE POLARITY PUSH-BUTTONS	39 - 41
APPLIANCE SWITCHES	41
ROTARY DIMMERS	42
1 - 10 V CONTROL UNITS	43
ACCESSORIES	43 - 47

Tiny - but virtually indispensable. The round function elements of the module inserts give every unit its unmistakable character. With their minimal dimensions and shallow installation depths, they are extremely versatile. The incredible depth of the product range means you have an excellent variety of functions available, and thus the optimal solution in each case.

- Simple installation with no special tools required
- Quick mounting through snapping into the installation openings – "SNAP IN"
- Special solutions, such as mounting in mirrors, on glass or IP44 applications
- Including of modern communication systems
- Wide range of international socket outlet systems



MARKED ITEMS ARE SUITABLE FOR SPLASH-PROTECTED IP44 INSTALLATION
WHEN USED IN CONJUNCTION WITH THE CORRESPONDING SEALING SET.

SCHUKO socket outlets

- Thermoplastic centre plates
- Duroplast base
- Contacts made of copper alloy

SCHUKO socket outlets

- For 4-hole screw fitting

 Marked items are only suitable for splash-protected IP44 flush-mounted installation when used in conjunction with the appropriate sealing, frame with hinged cover (imprint "IP44") and contact protection box.



 **SCHUKO socket outlet**

- screw terminals



Rated voltage
Rated current

250 V~
16 A

Connection terminals according to IEC 60884-1

SUITABLE FOR

- Contact protection box Ø 45 mm
- Contact protection box Ø 49 mm
- Contact protection box 2gang
- Contact protection box 3gang
- Sealing for IP 44 applications
- Frame with hinged cover and imprint "IP44"

ORDER NO.

- 918 20 ..
- 918 8 ..
- 9 191 ..
- 919 33
- 918 53
- 8 1828 ..

PAGE

- 43
- 44
- 44
- 45
- 56
- 55

i 148

DESIGN	ORDER NO.	PU
brown matt	8 4185 25 01	200
anthracite matt	8 4185 25 05	200
grey matt	8 4185 25 06	200
polar white matt	8 4185 25 02	200
black matt	8 4185 05	200
brown matt	9 4185 25 01	10
anthracite matt	9 4185 25 05	10
grey matt	9 4185 25 06	10
polar white matt	9 4185 25 02	10
black matt	9 4185 05	10



 **SCHUKO socket outlet**

- enhanced contact protection
- screw terminals



Rated voltage
Rated current

250 V~
16 A

Connection terminals according to IEC 60884-1

Enhanced contact protection (child protection) according to IEC 60884-1

SUITABLE FOR

- Contact protection box Ø 45 mm
- Contact protection box Ø 49 mm
- Contact protection box 2gang
- Contact protection box 3gang
- Sealing for IP 44 applications
- Frame with hinged cover and imprint "IP44", screw-on

ORDER NO.

- 918 20 ..
- 918 8 ..
- 9 191 ..
- 919 33
- 918 53
- 8 1828 ..

PAGE

- 43
- 44
- 44
- 45
- 56
- 64

i 148

DESIGN	ORDER NO.	PU
brown matt	8 4195 25 01	200
anthracite matt	8 4195 25 05	200
grey matt	8 4195 25 06	200
polar white matt	8 4195 25 02	200
black matt	8 4195 05	200
brown matt	9 4195 25 01	10
anthracite matt	9 4195 25 05	10
grey matt	9 4195 25 06	10
polar white matt	9 4195 25 02	10
black matt	9 4195 05	10





SCHUKO socket outlet

- plug-in terminals



Rated voltage 250 V~
Rated current 16 A

Earth bracket clamping forces according to TNO requirements.

Standard NEN 1010

Connection terminals according to IEC 60884-1

SUITABLE FOR	ORDER NO.	PAGE
Contact protection box Ø 45 mm	918 20 ..	43
Contact protection box Ø 49 mm	918 8 ..	44
Contact protection box 2gang	9 191 ..	44
Contact protection box 3gang	919 33	45
Sealing for IP 44 applications	918 53	56
Frame with hinged cover and imprint "IP44"	8 1828 ..	55

i 148

DESIGN	ORDER NO.	PU
brown matt	8 4778 25 01	200
anthracite matt	8 4778 25 05	200
grey matt	8 4778 25 06	200
polar white matt	8 4778 25 02	200
brown matt	9 4778 25 01	10
anthracite matt	9 4778 25 05	10
grey matt	9 4778 25 06	10
polar white matt	9 4778 25 02	10
black matt	9 4778 25 03	10



SCHUKO socket outlet

- enhanced contact protection
- plug-in terminals



Rated voltage 250 V~
Rated current 16 A

Earth bracket clamping forces according to TNO requirements.

Standard NEN 1010

Connection terminals according to IEC 60884-1

Enhanced contact protection (child protection) according to IEC 60884-1

SUITABLE FOR	ORDER NO.	PAGE
Contact protection box Ø 49 mm	918 8 ..	44
Contact protection box 2gang	9 191 ..	44
Contact protection box 3gang	919 33	45
Sealing for IP 44 applications	918 53	56
Frame with hinged cover and imprint "IP44", screw-on	8 1828 ..	64

i 148

DESIGN	ORDER NO.	PU
brown matt	8 4779 25 01	200
anthracite matt	8 4779 25 05	200
grey matt	8 4779 25 06	200
polar white matt	8 4779 25 02	200
brown matt	9 4779 25 01	10
anthracite matt	9 4779 25 05	10
grey matt	9 4779 25 06	10
polar white matt	9 4779 25 02	10
black matt	9 4779 25 03	10





SCHUKO socket outlet 45°

- screw terminals



Rated voltage
Rated current

250 V~
16 A

Connection terminals according to IEC 60884-1

■ for diagonal installation

SUITABLE FOR

- Contact protection box Ø 49 mm
- Contact protection box 2gang
- Contact protection box 3gang
- Contact protection box Ø 58 mm for terminal attachment
- Sealing for IP 44 applications
- Frame with hinged cover and imprint "IP44"

ORDER NO.

- 918 8 .. 44
- 9 191 .. 44
- 919 33 45
- 818 37 .. 45
- 918 53 56
- 8 1828 .. 55

i 148

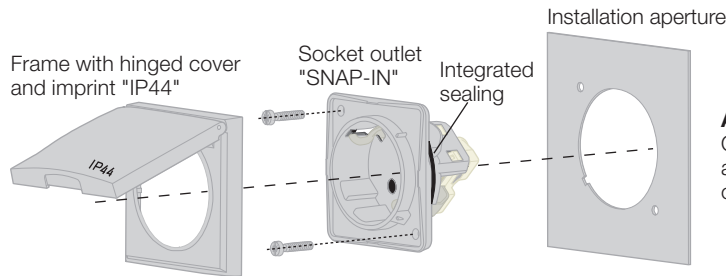
DESIGN	ORDER NO.	PU
brown matt	8 4185 25 21	200
anthracite matt	8 4185 25 25	200
grey matt	8 4185 25 26	200
polar white matt	8 4185 25 22	200
black matt	8 4185 25	200
black matt	9 4185 25	10



SCHUKO socket outlets with "SNAP IN"

Assembly instructions for IP44 "SNAP-IN" SCHUKO socket outlets

Not suitable for contact protection boxes!



Attention!

Only upon compliance with the assembly instructions the degree of protection IP 44 is guaranteed.



SCHUKO socket outlet 45°, SNAP IN 1 mm

- **plug-in terminals**



Rated voltage 250 V~
Rated current 16 A
Installation wall thickness 1 mm (± 0.1 mm)

Earth bracket clamping forces according to TNO requirements.

Not suitable for contact protection boxes (cavity walls).

Standard NEN 1010

Connection terminals according to IEC 60884-1

- with distance sealing ring
- for diagonal installation

SUITABLE FOR

optional

Frame with hinged cover and imprint "IP44"

ORDER NO.

8 1828 2 ..

PAGE

55

i 148



DESIGN

ORDER NO.

PU

anthracite matt

8 4733 25 05

200

grey matt

8 4733 25 06

200



SCHUKO socket outlet 45°, SNAP IN 1 mm

- **screw terminals**



Rated voltage 250 V~
Rated current 16 A
Installation wall thickness 1 mm (± 0.1 mm)

Not suitable for contact protection boxes (cavity walls).

Connection terminals according to IEC 60884-1

- with distance sealing ring
- for diagonal installation

SUITABLE FOR

optional

Frame with hinged cover and imprint "IP44"

ORDER NO.

8 1828 25 ..

PAGE

55

i 148



DESIGN

ORDER NO.

PU

grey matt

8 4104 25 06

200



SCHUKO socket outlet 45°, SNAP IN 1.8 mm

- **plug-in terminals**



Rated voltage 250 V~
Rated current 16 A
Installation wall thickness 1.8 mm (± 0.2 mm)

Earth bracket clamping forces according to TNO requirements.

Not suitable for contact protection boxes (cavity walls).

Standard NEN 1010

Connection terminals according to IEC 60884-1

- with distance sealing ring
- for diagonal installation

SUITABLE FOR

optional

Frame with hinged cover and imprint "IP44"

ORDER NO.

8 1828 25 ..

PAGE

55

i 148



DESIGN

ORDER NO.

PU

grey matt

8 4787 25 06

200



SCHUKO socket outlet 45°, SNAP IN 1.8 mm

- enhanced contact protection
- plug-in terminals



Rated voltage 250 V~
 Rated current 16 A
 Installation wall thickness 1.8 mm (± 0.2 mm)

Earth bracket clamping forces according to TNO requirements.
 Not suitable for contact protection boxes (cavity walls).
 Standard NEN 1010
 Connection terminals according to IEC 60884-1
 Enhanced contact protection (child protection) according to IEC 60884-1

- with distance sealing ring
- for diagonal installation

SUITABLE FOR optional
 Frame with hinged cover and imprint "IP44" **ORDER NO.** 8 1828 25 .. **PAGE** 55

i 148



DESIGN	ORDER NO.	PU
grey matt	8 4788 25 06	200



SCHUKO socket outlet 45°, SNAP IN 1.8 mm

- enhanced contact protection
- screw terminals



Rated voltage 250 V~
 Rated current 16 A
 Installation wall thickness 1.8 mm (± 0.2 mm)

Not suitable for contact protection boxes (cavity walls).
 Connection terminals according to IEC 60884-1
 Enhanced contact protection (child protection) according to IEC 60884-1

- with distance sealing ring
- for diagonal installation

SUITABLE FOR optional
 Frame with hinged cover and imprint "IP44" **ORDER NO.** 8 1828 25 .. **PAGE** 55

i 148



DESIGN	ORDER NO.	PU
grey matt	8 4140 25 06	200



SCHUKO socket outlet 45°, SNAP IN 2.8 mm

- enhanced contact protection
- plug-in terminals



Rated voltage 250 V~
 Rated current 16 A
 Installation wall thickness 2.8 mm (± 0.2 mm)

Earth bracket clamping forces according to TNO requirements.
 Not suitable for contact protection boxes (cavity walls).
 Standard NEN 1010
 Connection terminals according to IEC 60884-1
 Enhanced contact protection (child protection) according to IEC 60884-1

- with distance sealing ring
- for diagonal installation

SUITABLE FOR optional
 Frame with hinged cover and imprint "IP44" **ORDER NO.** 8 1828 25 .. **PAGE** 55

i 148



DESIGN	ORDER NO.	PU
grey matt	8 4731 25 06	200

SCHUKO socket outlet with control function

- For catch fixing



SCHUKO socket outlet 45°, with indicator LED, SNAP IN 2 mm

- enhanced contact protection
- plug-in terminals



Rated current	16 A
Operating voltage	250 V~
LED current	1 mA
Installation wall thickness	2 mm

- with distance sealing ring
- for diagonal installation

SUITABLE FOR

Frame with hinged cover
Frame

ORDER NO.

9 1988 ..	54
9 1977 25 ..	54

i 148

Earth bracket clamping forces according to TNO requirements.

Not suitable for contact protection boxes (cavity walls).

Standard NEN 1010

Connection terminals according to IEC 60884-1

Enhanced contact protection (child protection) according to IEC 60884-1

DESIGN	ORDER NO.	PU
anthracite matt	9 4713 25 05	200
grey matt	9 4713 25 06	200
polar white matt	9 4713 25 02	200
red matt	9 4713 25 76	200
green matt	9 4713 25 03	200
orange matt	9 4713 25 04	200



Socket outlets with earthing contact

NEMA-socket outlets



Socket outlet with earthing contact USA/CANADA NEMA 5-15 R

- screw terminals



Rated voltage	125 V~
Rated current	15 A

- 2pole + earth

SUITABLE FOR

Contact protection box Ø 45 mm
Contact protection box Ø 49 mm
Contact protection box 2gang
Contact protection box 3gang

ORDER NO.

918 20 ..	43
918 8 ..	44
9 191 ..	44
919 33	45

i 148

Connecting terminals only suitable for wiring with massive conductors.

Standard NEMA 5-15 R

DESIGN	ORDER NO.	PU
brown matt, insert brown	8 6263 25 01	200
polar white matt, insert white	8 6263 25 02	200
black matt, insert black	8 6263 25 13	200
brown matt, insert brown	9 6263 25 01	10
polar white matt, insert white	9 6263 25 02	10
black matt, insert black	9 6263 25 13	10





**Socket outlet with earthing contact
USA/CANADA NEMA 6-20 R**

- screw terminals



Rated voltage
Rated current

250 V~
20 A

■ 2pole + earth

SUITABLE FOR

Contact protection box Ø 45 mm
Contact protection box Ø 49 mm
Contact protection box 2gang
Contact protection box 3gang

ORDER NO.

918 20 ..
918 8 ..
9 191 ..
919 33

PAGE

43
44
44
45

i 148

Connecting terminals only suitable for wiring with massive conductors.

Standard NEMA 6-20 R

DESIGN	ORDER NO.	PU
brown matt, insert brown	9 6254 25 01	10
grey glossy, insert white	9 6254 25 07	10
polar white glossy, insert white	9 6254 25 09	10
black glossy, insert brown	9 6254 25 10	10
brown matt, insert brown	8 6254 25 01	200
anthracite matt, insert brown	8 6254 25 05	200
grey glossy, insert white	8 6254 25 07	200
polar white glossy, insert white	8 6254 25 09	200
black glossy, insert brown	8 6254 25 10	200



Australian socket outlets



**Socket outlet with earthing contact
AUSTRALIA 10 A**

- screw terminals



Rated voltage
Rated current

250 V~
10 A

■ 2pole + earth

■ contact screws, cross-head, size PH2

SUITABLE FOR

Contact protection box Ø 45 mm
Contact protection box Ø 49 mm
Contact protection box 2gang
Contact protection box 3gang

ORDER NO.

918 20 ..
918 8 ..
9 191 ..
919 33

PAGE

43
44
44
45

i 148

DESIGN	ORDER NO.	PU
brown matt, insert black	9 6258 25 01	10
anthracite matt, insert black	9 6258 25 05	10
grey matt, insert black	9 6258 25 06	10
polar white matt, insert white	9 6258 25 02	10
black matt, insert black	9 6258 05	10



**Socket outlet with earthing contact
AUSTRALIA 15 A**

- screw terminals



Rated voltage
Rated current

250 V~
15 A

■ 2pole + earth

■ contact screws, cross-head, size PH2

SUITABLE FOR

Contact protection box Ø 45 mm
Contact protection box Ø 49 mm
Contact protection box 2gang
Contact protection box 3gang

ORDER NO.

918 20 ..
918 8 ..
9 191 ..
919 33

PAGE

43
44
44
45

i 148

DESIGN	ORDER NO.	PU
brown matt, insert black	9 6256 25 01	10
anthracite matt, insert black	9 6256 25 05	10
grey matt, insert black	9 6256 25 06	10
polar white matt, insert white	9 6256 25 02	10
black matt, insert black	9 6256 05	10



Danish socket outlets



Socket outlet with earthing contact DENMARK

- enhanced contact protection
- screw terminals



Rated voltage 250 V~
Rated current 13 A

- 2pole + earth

SUITABLE FOR

Contact protection box Ø 45 mm
Contact protection box Ø 49 mm
Contact protection box 2gang
Contact protection box 3gang

ORDER NO.

918 20 .. 43
918 8 .. 44
9 191 .. 44
919 33 45

i 148

Standard DK/SR 107-2-D1

Connection terminals according to IEC 60884-1

Enhanced contact protection (child protection) according to IEC 60884-1

DESIGN	ORDER NO.	PU
black matt	8 6272 05	200
anthracite matt	9 6272 25 05	10
grey matt	9 6272 25 06	10
polar white matt	9 6272 25 02	10
black matt	9 6272 05	10



Italian socket outlets



Socket outlet with earthing contact ITALY

- enhanced contact protection
- screw terminals



Rated voltage 250 V~
Rated current 16 A

- 2pole + earth

SUITABLE FOR

Contact protection box Ø 49 mm
Contact protection box 2gang
Contact protection box 3gang

ORDER NO.

918 8 .. 44
9 1915 0 .. 44
919 33 45

Not suitable for fixing clamping ring!

Enhanced contact protection (child protection) according to IEC 60884-1

DESIGN	ORDER NO.	PU
anthracite matt, insert black	9 6251 25 05	10
polar white matt, insert white	9 6251 25 02	10
black matt, insert black	9 6251 25 03	10

Swiss socket outlets



Socket outlet with earthing contact SWITZERLAND type 13

- screw terminals



Rated voltage 250 V~
Rated current 10 A

- 2pole + earth

SUITABLE FOR

Contact protection box Ø 49 mm
Contact protection box 2gang
Contact protection box 3gang

ORDER NO.

918 8 .. 44
9 1915 0 .. 44
919 33 45

i 148

Not suitable for fixing clamping ring!

Connection terminals according to IEC 60884-1

DESIGN	ORDER NO.	PU
brown matt	8 6249 25 01	200
anthracite matt	8 6249 25 05	200
black matt	8 6249 05	200
brown matt	9 6249 25 01	10
anthracite matt	9 6249 25 05	10
grey matt	9 6249 25 06	10
polar white matt	9 6249 25 02	10
black matt	9 6249 05	10





**Socket outlet with earthing contact
SWITZERLAND type 23**

- screw terminals



Rated voltage
Rated current

250 V~
16 A

■ 2pole + earth

SUITABLE FOR
Contact protection box Ø 49 mm
Contact protection box 2gang
Contact protection box 3gang

ORDER NO.	PAGE
918 8 ..	44
9 1915 0 ..	44
919 33	45

i 148

Not suitable for fixing clamping ring!
Connection terminals according to IEC 60884-1

DESIGN	ORDER NO.	PU
brown matt	9 6259 25 01	10
anthracite matt	9 6259 25 05	10
grey matt	9 6259 25 06	10
polar white matt	9 6259 25 02	10
black matt	9 6259 25 03	10



British Standard socket outlets



**Socket outlet with earthing contact
BRITISH STANDARD**

- enhanced contact protection
- screw terminals



Rated voltage
Rated current

250 V~
13 A

■ 2pole + earth

SUITABLE FOR
Contact protection box Ø 45 mm
Contact protection box Ø 49 mm
Contact protection box 2gang
Contact protection box 3gang

ORDER NO.	PAGE
918 20 ..	43
918 8 ..	44
9 191 ..	44
919 33	45

i 148

Standard BS 1363

DESIGN	ORDER NO.	PU
anthracite matt	8 6262 25 05	200
grey matt	8 6262 25 06	200
polar white matt	8 6262 25 02	200
black matt	8 6262 05	200
brown matt	9 6262 25 01	10
anthracite matt	9 6262 25 05	10
grey matt	9 6262 25 06	10
polar white matt	9 6262 25 02	10
black matt	9 6262 05	10



Socket outlets with earthing pin

 Marked items are only suitable for splash-protected IP44 flush-mounted installation when used in conjunction with the appropriate sealing, frame with hinged cover (imprint "IP44") and contact protection box.



 **Socket outlet with earthing pin**

- screw terminals



Rated voltage 250 V~
Rated current 16 A
Connection terminals according to IEC 60884-1

■ 2pole + earth

SUITABLE FOR	ORDER NO.	PAGE
Contact protection box Ø 45 mm	918 20 ..	43
Contact protection box Ø 49 mm	918 8 ..	44
Contact protection box 2gang	9 191 ..	44
Contact protection box 3gang	919 33	45
Sealing for IP 44 applications	918 53	56
Frame with hinged cover and imprint "IP44"	8 1828 ..	55

DESIGN	ORDER NO.	PU
brown matt	8 6185 25 01	200
anthracite matt	8 6185 25 05	200
polar white matt	8 6185 25 02	200
black matt	8 6185 05	200
brown matt	9 6185 25 01	10
anthracite matt	9 6185 25 05	10
grey matt	9 6185 25 06	10
polar white matt	9 6185 25 02	10
black matt	9 6185 05	10



French/Belgian socket outlets



 **Socket outlet with earthing pin**

- enhanced contact protection
- screw terminals



Rated voltage 250 V~
Rated current 16 A
Connection terminals according to IEC 60884-1

■ 2pole + earth

SUITABLE FOR	ORDER NO.	PAGE
Contact protection box Ø 45 mm	918 20 ..	43
Contact protection box Ø 49 mm	918 8 ..	44
Contact protection box 2gang	9 191 ..	44
Contact protection box 3gang	919 33	45
Sealing for IP 44 applications	918 53	56
Frame with hinged cover and imprint "IP44"	8 1828 ..	55

Enhanced contact protection (child protection) according to IEC 60884-1

i 148

DESIGN	ORDER NO.	PU
anthracite matt	8 6195 25 05	200
grey matt	8 6195 25 06	200
polar white matt	8 6195 25 02	200
black matt	8 6195 05	200
brown matt	9 6195 25 01	10
anthracite matt	9 6195 25 05	10
grey matt	9 6195 25 06	10
polar white matt	9 6195 25 02	10
black matt	9 6195 05	10



Socket outlets without earthing contact

Dutch socket outlets



**Socket outlet without earth contact
NETHERLANDS**

- enhanced contact protection
- screw terminals



Rated voltage 250 V~
 Rated current 16 A
 Mirror depth 14.5 mm

■ 2pole

SUITABLE FOR

Contact protection box Ø 45 mm
 Contact protection box Ø 49 mm
 Contact protection box 2gang
 Contact protection box 3gang

ORDER NO.

091 82 .. 43
 091 88 .. 44
 0 9191 .. 44
 919 33 45

i 148

Connection terminals according to IEC 60884-1
 Enhanced contact protection (child protection) according to IEC 60884-1

DESIGN	ORDER NO.	PU
anthracite matt	9 6194 25 05	10
grey matt	9 6194 25 06	10
polar white matt	9 6194 25 02	10
black matt	9 6194 05	10



Euro-American Standard socket outlets



**Socket outlet without earthing contact
EURO-AMERICAN STANDARD**

- enhanced contact protection
- screw terminals



Rated voltage 250 V~
 Rated current 10 A

■ 2pole

SUITABLE FOR

Contact protection box Ø 45 mm
 Contact protection box Ø 49 mm
 Contact protection box 2gang
 Contact protection box 3gang

ORDER NO.

918 20 .. 43
 918 8 .. 44
 9 191 .. 44
 919 33 45

i 148

Not suitable for SCHUKO plug according to DIN 49441.
 Standard GB 1002
 Connection terminals according to IEC 60884-1

DESIGN	ORDER NO.	PU
anthracite matt	8 6257 25 05	200
polar white matt	8 6257 25 02	200
brown matt	9 6257 25 01	10
anthracite matt	9 6257 25 05	10
grey matt	9 6257 25 06	10
polar white matt	9 6257 25 02	10
black matt	9 6257 25 03	10



Connecting devices 12 V



Socket outlet 12 V

Rated current max. 16 A
Operating voltage 12 ... 24 V
Flat connector size (size width x size width) 6.3 x 0.8 mm

■ with fast-on terminal connection

Note:
When using 12 V connector (order no. 4637),
observe max. rated current of 8 A.
DIN EN ISO 4165

SUITABLE FOR	ORDER NO.	PAGE
Contact protection box Ø 45 mm	918 20 ..	43
Contact protection box Ø 49 mm	918 8 ..	44
Contact protection box 2gang	9 191 ..	44
Contact protection box 3gang	919 33	45
Plug 12 V	4637	46

DESIGN	ORDER NO.	PU
brown matt	8 4517 25 01	200
anthracite matt	8 4517 25 05	200
grey glossy	8 4517 25 07	200
polar white glossy	8 4517 25 09	200
black matt	8 4517 05	200
brown matt	9 4517 25 01	10
anthracite matt	9 4517 25 05	10
grey glossy	9 4517 25 07	10
polar white glossy	9 4517 25 09	10
black matt	9 4517 05	10



Power socket outlet 12 V

Operating voltage 12 ... 24 V
Rated current for 1.5 mm² max. 15 A
Rated current for 2.5 mm² max. 20 A
Flat connector size (size width x size width) 6.3 x 0.8 mm

■ with fast-on terminal connection

Not suitable for contact protection boxes (cavity walls).

Not suitable for installation in surface-mounted housing.
Compliant with SAE J563 (Feb. 2009), VW Standard
TL82285 (Apr. 2007)

DESIGN	ORDER NO.	PU
brown matt	8 4571 25 01	200
anthracite matt	8 4571 25 05	200
grey glossy	8 4571 25 07	200
polar white glossy	8 4571 25 09	200
black matt	8 4571 25 03	200
brown matt	9 4571 25 01	10
anthracite matt	9 4571 25 05	10
grey glossy	9 4571 25 07	10
polar white glossy	9 4571 25 09	10



Power socket outlet 12 V, with imprint 20 A for motor vehicles

Operating voltage 12 ... 24 V
Rated current for 1.5 mm² max. 15 A
Rated current for 2.5 mm² max. 20 A
Flat connector size (size width x size width) 6.3 x 0.8 mm

■ with fast-on terminal connection

Not suitable for contact protection boxes (cavity walls).

Not suitable for installation in surface-mounted housing.

DESIGN	ORDER NO.	PU
anthracite matt	9 4570 25 05	10





Power socket outlet 12 V, with imprint 10 A for motor vehicles

Rated current max. 10 A
 Operating voltage 12 ... 24 V
 Flat connector size (size width x size width) 6.3 x 0.8 mm

■ with fast-on terminal connection

Not suitable for contact protection boxes (cavity walls).

Not suitable for installation in surface-mounted housing.



DESIGN	ORDER NO.	PU
anthracite matt	9 4570 25 15	10



Socket outlet 12 V + SAT

Rated current max. 10 A
 Operating voltage 12 V=

■ with double F-socket
 ■ with fast-on terminal connection

Not suitable for frames with hinged covers.
 For reception of satellite TV signals and simultaneous power supply of appropriate TV devices.

DESIGN	ORDER NO.	PU
brown matt	8 4572 25 01	200
anthracite matt	8 4572 25 05	200
polar white matt	8 4572 25 02	200
black matt	8 4572 25 03	200

brown matt	9 4572 25 01	10
anthracite matt	9 4572 25 05	10
polar white matt	9 4572 25 02	10
black matt	9 4572 25 03	10



Socket outlet 12 V + TV

Operating voltage 12 V=
 Rated current max. 10 A

■ with IEC and F socket
 ■ with fast-on terminal connection

For reception of terrestrial or wire-connected TV signals with simultaneous power supply of appropriate devices.
 Not suitable for frames with hinged covers.

DESIGN	ORDER NO.	PU
anthracite matt	9 4573 25 05	10
polar white matt	9 4573 25 02	10



Socket outlet 12 V + Radio

Operating voltage 12 V=
 Rated current max. 10 A

■ with IEC and F socket
 ■ with fast-on terminal connection

For reception of terrestrial or wire-connected radio signals with simultaneous power supply of appropriate devices.
 In some countries, this insert can also be used for TV reception.

Not suitable for frames with hinged covers.

DESIGN	ORDER NO.	PU
anthracite matt	9 4574 25 05	10
polar white matt	9 4574 25 02	10



USB Charging socket outlets

- For charging mobile end devices via USB cable
- Short-circuit and overload proof (electronic fuse)



230 V USB charging socket outlet

- screw terminals



Frequency	50/60 Hz
Input voltage	100 ... 240 V~
Output voltage	5 V= (± 5 %)
Output current	max. 500 mA
Power consumption (standby)	< 50 mW
Conductor cross-section (rigid)	max. 2.5 mm ²

No data transmission possible!
USB connections according to DIN EN 50558

- with 2 USB sockets type A

SUITABLE FOR	ORDER NO.	PAGE
Contact protection box Ø 49 mm	918 8 ..	44
Contact protection box 2gang	9 1915 0 ..	44
Contact protection box 3gang	919 33	45



DESIGN	ORDER NO.	PU
anthracite matt	9 2600 25 05	1
polar white matt	9 2600 25 09	1



12 V USB charging socket outlet

Input voltage	10 ... 14 V=
Output voltage	5 V= (± 5 %)
Output current	max. 1000 mA
Power consumption (standby)	< 100 mW

No data transmission possible!

- with USB socket type A
- pre-assembled with connecting cables (red, black), length approx. 15 cm

SUITABLE FOR	ORDER NO.	PAGE
Contact protection box Ø 49 mm	918 8 ..	44
Contact protection box 2gang	9 1915 0 ..	44
Contact protection box 3gang	919 33 ..	45



DESIGN	ORDER NO.	PU
brown matt, insert black	8 2601 25 01	200
anthracite matt, insert black	8 2601 25 05	200
grey glossy, insert black	8 2601 25 07	200
polar white glossy, insert black	8 2601 25 09	200
black matt, insert black	8 2601 25 03	200
brown matt, insert black	9 2601 25 01	1
anthracite matt, insert black	9 2601 25 05	1
grey glossy, insert black	9 2601 25 07	1
polar white glossy, insert black	9 2601 25 09	1
black matt, insert black	9 2601 25 03	1



12 V USB charging socket outlet 2gang

Input voltage 12 ... 24 V=
Output voltage 5 V=
Output current max. per socket 2.5 A
Power consumption (standby) 100 mW

- for charging mobile end devices like tablets, smart phones, navigation devices and digital cameras via USB cable
- with 2 USB sockets type A
- pre-assembled with connecting cables (red, black), length approx. 15 cm

No data transmission possible!

SUITABLE FOR	ORDER NO.	PAGE
Contact protection box Ø 49 mm	918 8 ..	44
Contact protection box 2gang	9 1915 0 ..	44
Contact protection box 3gang	919 33 ..	45

DESIGN	ORDER NO.	PU
brown matt, insert black	8 2602 25 01	200
anthracite matt, insert black	8 2602 25 05	200
grey glossy, insert black	8 2602 25 07	200
polar white glossy, insert black	8 2602 25 09	200
black matt, insert black	8 2602 25 03	200
brown matt, insert black	9 2602 25 01	10
anthracite matt, insert black	9 2602 25 05	10
grey glossy, insert black	9 2602 25 07	10
polar white glossy, insert black	9 2602 25 09	10
black matt, insert black	9 2602 25 03	10



TV/Multimedia

Aerial sockets



Aerial connector box TV

DIN 45325

- with solder connection

SUITABLE FOR	ORDER NO.	PAGE
optional		
Frames with hinged cover		page 54
Frames with hinged cover		page 63
Frames with hinged cover		page 72

DESIGN	ORDER NO.	PU
brown matt, with soldered connection	9 4511 25 11	10
anthracite matt, with soldered connection	9 4511 25 15	10
polar white matt, with soldered connection	9 4511 25 12	10
black matt, with soldered connection	9 4511 15	10



Aerial connector box TV

Not suitable for frames with hinged cover.
DIN 45325

- with connection in F system

DESIGN	ORDER NO.	PU
brown matt, connection in F system	9 4581 25 01	10
anthracite matt, connection in F system	9 4581 25 05	10
grey matt, connection in F system	9 4581 25 06	10
polar white matt, connection in F system	9 4581 25 02	10
black matt, connection in F system	9 4581 25 03	10



Aerial connector box radio

Not suitable for frames with hinged covers.

- with IEC and F socket

DESIGN	ORDER NO.	PU
anthracite matt	9 4562 25 05	10





Aerial connector box SAT

Not suitable for frames with hinged covers.

- with double F-socket

DESIGN	ORDER NO.	PU
anthracite matt	8 4519 25 05	200
polar white matt	8 4519 25 02	200
brown matt	9 4519 25 01	10
anthracite matt	9 4519 25 05	10
grey matt	9 4519 25 06	10
polar white matt	9 4519 25 02	10
black matt	9 4519 05	10



Aerial connector box radio/SAT

Not suitable for frames with hinged covers.

- with IEC and F socket
- with connection in F system

DESIGN	ORDER NO.	PU
brown matt	9 4560 25 01	10
anthracite matt	9 4560 25 05	10
grey matt	9 4560 25 06	10
polar white matt	9 4560 25 02	10
black matt	9 4560 05	10



Aerial connector box radio/TV

Not suitable for frames with hinged covers.

- with IEC sockets
- with connection in F system

DESIGN	ORDER NO.	PU
polar white matt	9 4561 25 02	10



Aerial connector box TV/SAT

Not suitable for frames with hinged covers.

- with IEC and F socket
- with connection in F system

DESIGN	ORDER NO.	PU
grey matt	8 4563 25 06	200
black matt	8 4563 25 03	200



Multimedia outlets



USB/3.5 mm audio socket outlet

Frequency range audio 20 ... 20000 Hz ■ double jack gold-plated 3.5 mm, stereo
 USB transmission rate max. 480 Mbit/s ■ USB double jack type A, USB 2.0 capable

For connecting mobile devices, such as mobile phones or MP3 players (mini audio), digital cameras and computer peripherals (USB 2.0).

Observe the instructions of the cable and device manufacturers for maximum USB cable lengths!



DESIGN	ORDER NO.	PU
brown matt	8 4583 25 01	200
anthracite matt	8 4583 25 05	200
grey matt	8 4583 25 06	200
polar white matt	8 4583 25 02	200
black matt	8 4583 25 03	200
brown matt	9 4583 25 01	10
anthracite matt	9 4583 25 05	10
grey matt	9 4583 25 06	10
polar white matt	9 4583 25 02	10
black matt	9 4583 25 03	10



High definition socket outlet

Resolution max. 1920 x 1080 px ■ with HDMI™ double jack type A, supports HDMI™ technology (V 1.3 with Deep Color)
 Transmission rate max. 8.16 GBit/s ■ 19pole
 Video bandwidth max. 165 MHz ■ gold-plated contacts
 Frequency range (vertical) 50 ... 85 Hz

For the connection of digital devices for transmission of high-resolution audio and video signals, such as satellite receivers and DVD players, to LCD or plasma screens.

Comply with the instructions of the cable and device manufacturers as to the maximum HDMI cable length.



DESIGN	ORDER NO.	PU
brown matt	8 4582 25 01	200
anthracite matt	8 4582 25 05	200
grey matt	8 4582 25 06	200
polar white matt	8 4582 25 02	200
black matt	8 4582 25 03	200
brown matt	9 4582 25 01	10
anthracite matt	9 4582 25 05	10
grey matt	9 4582 25 06	10
polar white matt	9 4582 25 02	10
black matt	9 4582 25 03	10



Cinch socket outlet 3gang

Not suitable for frames with hinged covers. ■ 1 cinch double jack for video connection (yellow)
 ■ 2 cinch double jacks for audio connection (red, white)



DESIGN	ORDER NO.	PU
brown matt	8 4580 25 01	200
anthracite matt	8 4580 25 05	200
grey matt	8 4580 25 07	200
polar white matt	8 4580 25 09	200
black matt	8 4580 25 03	200

Audio/video modules



Cinch module set audio

Conductor Ø 0.5 ... 0.65 mm (AWG 24-22)
 Conductor cross-section 0.2 mm² ... 0.325 mm²
 Dimensions, per module (W x H x D) 15 x 18 x 35 mm

- with 2 Cinch sockets and module carriers
- with tool free cutting terminals

SUITABLE FOR Double supporting plate for MINI-COM modules
ORDER NO. 9 4559 ..
PAGE 30

i 149



DESIGN	ORDER NO.	PU
polar white/red	1989	1



Cinch module video

Conductor Ø 0.5 ... 0.65 mm (AWG 24-22)
 Conductor cross-section 0.2 mm² ... 0.325 mm²
 Dimensions (W x H x D) 15 x 18 x 35 mm

- with cinch socket and module carrier
- with tool free cutting terminals

SUITABLE FOR Double supporting plate for MINI-COM modules
ORDER NO. 9 4559 ..
PAGE 30

i 149



DESIGN	ORDER NO.	PU
polar white/yellow	1992	1



VGA module

Conductor cross-section 1.5 mm²
 Dimensions (W x H x D) 31 x 18 x 35 mm

- with a 15pole D-subminiature socket
- occupies 2 MINI-COM module spaces in the cover
- SVGA compatible
- with screw-in lift terminals

SUITABLE FOR Double supporting plate for MINI-COM modules
ORDER NO. 9 4559 ..
PAGE 30

i 149



DESIGN	ORDER NO.	PU
polar white/black	1994	1



S-Video module

Conductor Ø 0.5 ... 0.65 mm (AWG 24-22)
 Conductor cross-section 0.2 mm² ... 0.325 mm²
 Dimensions (W x H x D) 15 x 18 x 35 mm

- with S-Video and module carrier
- with tool free cutting terminals

SUITABLE FOR Double supporting plate for MINI-COM modules
ORDER NO. 9 4559 ..
PAGE 30

i 150



DESIGN	ORDER NO.	PU
polar white/black	1993	1



Blank module

Dimensions (W x H x D) 15 x 18 x 35 mm

SUITABLE FOR Double supporting plate for MINI-COM modules
ORDER NO. 9 4559 ..
PAGE 30

DESIGN	ORDER NO.	PU
polar white	1990	1

Data communication

Supporting plates for modular jacks



Double supporting plate for MINI-COM modules

Not suitable for hinged cover.

- for Mini-Com 3.5 mm stereo connection/coupling modules
- for Mini-Com BNC connector modules
- for Mini-Com Cinch connection/coupling modules
- for Mini-Com D-Subminiature connectors 15pole
- for Mini-Com F-plug coupling modules
- for Mini-Com speaker wire/banana plug modules
- for Mini-Com S-Video connection/coupling modules
- for Mini-Com jacks cat.3, cat.5e, cat.6, cat.6 10 Gig
- for Mini-Com fibre-optic modules
- for Mini-Com dummy modules 1gang
- with 30° oblique outlet

SUITABLE FOR	ORDER NO.	PAGE
Audio/video modules		page 29
Modular Jacks		page 31

MANUFACTURER: PRODUCT LINE	ART. NO.
Mini-Com modules	
Panduit	

DESIGN	ORDER NO.	PU
anthracite glossy	9 4559 25 05	10
grey glossy	9 4559 25 07	10
polar white glossy	9 4559 25 09	10
black glossy	9 4559 05	10



Supporting plate 1gang for AMP modular jacks

Indexing dimension (W x H) ≈ 14.9 x 20.7 mm

Not suitable for hinged cover.

- for AMP modular jacks series 110 Connect cat.3, cat.5, cat.5e and cat.6

MANUFACTURER: PRODUCT LINE	ART. NO.
EMT modular jack	
AMP	
Standard 110 Connect jack	
AMP	
MT-RJ jack	
AMP	
Intracom	
Telena	
Modular jacks	
Brand-Rex	
CobiNet	
EFB Electronic	
Schumann	
SL series toolless jack	
AMP	

DESIGN	ORDER NO.	PU
anthracite glossy	9 4557 25 05	10
grey glossy	9 4557 25 07	10
polar white glossy	9 4557 25 09	10
black glossy	9 4557 05	10



Supporting plate 2gang for BTR-/E-DAT modules

Not suitable for hinged cover.

- for 130898-00-I BTR blank module
- for 130898-01-I BTR coax module F/F
- for 130898-02-I BTR coax module F/IEC socket
- for 130898-03-I BTR coax module F/IEC connector
- for 130908-I BTR UAE module Cat.5e 8(8)
- for 130909-I BTR UAE module Cat.6 8(8)
- for 130910-I BTR E-Dat module Cat.6a 8(8)
- for 1309A0-I BTR E-Dat module coupling 8(8) Cat.6
- for 15091001-I BTR Op-Dat module ST
- for 15091070-I BTR Op-Dat module LC
- for 15091071-I BTR Op-Dat module LC
- for 185700 Dätwyler Unilan socket module MS 1/8 Cat.6
- for 185750 Dätwyler Unilan socket module MU 1/8 Cat.6

- for 417446 Dätwyler Unilan RJ45 feed-through coupling
- with 25° oblique outlet

MANUFACTURER: PRODUCT LINE **ART. NO.**
Modules
BTR NETCOM

DESIGN	ORDER NO.	PU
anthracite glossy	8 4558 25 05	100
grey glossy	8 4558 25 07	100
polar white glossy	8 4558 25 09	100
black glossy	8 4558 25 10	100

Modular Jacks



Mini jack, 8-pole

Colour code A and B according to TIA/EIA-568-B.2

Cat.5 according to DIN EN 50173-1 and ISO/IEC 11801, 2nd edition
Cat.6 according to DIN EN 50173-1 and ISO/IEC 11801, 2nd edition
Shielding according to DIN EN 55022, class B


- with cutting terminals

SUITABLE FOR **ORDER NO.** **PAGE**
Double supporting plate for MINI-COM modules 9 4559 .. 30



DESIGN	ORDER NO.	PU
black, RJ45, cat.3, ISDN-compatible (AWG 24-22)	1980	1
RJ45, cat.5e, shielded (AWG 24-22)	1984	1
RJ45, cat.6, shielded (AWG 26)	1985	1

Rocker switches

 Marked items are only suitable for splash-protected IP44 flush-mounted installation when used in conjunction with the appropriate sealing, frame with the imprint "IP44" and contact protection box.



 **On/off switch**

Rated voltage
Switching current

250 V~
16 AX

■ with screw terminals

SUITABLE FOR

- Contact protection box Ø 45 mm, flat
- Contact protection box Ø 45 mm
- Contact protection box Ø 49 mm
- Contact protection box 2gang
- Contact protection box 3gang
- Sealing for IP 44 applications
- Frame with imprint "IP44"

ORDER NO.

- 9 1820 0 ..
- 918 20 ..
- 918 8 ..
- 9 191 ..
- 919 33
- 918 53
- 9 1827 ..

PAGE

- 43
- 43
- 44
- 44
- 45
- 56
- 55

i 149

DESIGN	ORDER NO.	PU
Berker Integro Flow/Pure		
brown matt	8 3651 25 01	200
anthracite matt	8 3651 25 05	200
grey glossy	8 3651 25 07	200
polar white glossy	8 3651 25 09	200
brown matt	9 3651 25 01	10
anthracite matt	9 3651 25 05	10
grey glossy	9 3651 25 07	10
polar white glossy	9 3651 25 09	10
black glossy	9 3651 25 10	10
granite black, silk matt, lacquered	9 3651 25 45	10
chrome glossy, galvanised	9 3651 25 18	10
chrome matt, galvanised	9 3651 25 28	10
chrome matt, lacquered	9 3651 25 68	10
stainless steel matt, lacquered	9 3651 25 24	10
Berker Integro Classic		
polar white glossy	8 3651 09	200
black matt	8 3651 05	200
brown matt	9 3651 01	10
grey glossy	9 3651 07	10
polar white glossy	9 3651 09	10
black matt	9 3651 05	10
granite black, silk matt, lacquered	9 3651 45	10
chrome glossy, galvanised	9 3651 18	10
chrome matt, galvanised	9 3651 28	10
gold glossy, galvanised	9 3651 38	10





Change-over switch

Rated voltage
Switching current

250 V~ ■ with screw terminals
16 AX

SUITABLE FOR	ORDER NO.	PAGE
Contact protection box Ø 45 mm, flat	9 1820 0 ..	43
Contact protection box Ø 45 mm	918 20 ..	43
Contact protection box Ø 49 mm	918 8 ..	44
Contact protection box 2gang	9 191 ..	44
Contact protection box 3gang	919 33	45
Sealing for IP 44 applications	918 53	56
Frame with imprint "IP44"	9 1827 ..	55

i 149

DESIGN	ORDER NO.	PU
Berker Integro Flow/Pure		
anthracite matt	8 3656 25 05	200
grey glossy	8 3656 25 07	200
polar white glossy	8 3656 25 09	200
brown matt	9 3656 25 01	10
anthracite matt	9 3656 25 05	10
grey glossy	9 3656 25 07	10
polar white glossy	9 3656 25 09	10
black glossy	9 3656 25 10	10
granite black, silk matt, lacquered	9 3656 25 45	10
chrome glossy, galvanised	9 3656 25 18	10
chrome matt, galvanised	9 3656 25 28	10
chrome matt, lacquered	9 3656 25 68	10
stainless steel matt, lacquered	9 3656 25 24	10
gold glossy, galvanised	9 3656 25 38	10
Berker Integro Classic		
polar white glossy	8 3656 09	200
brown matt	9 3656 01	10
grey glossy	9 3656 07	10
polar white glossy	9 3656 09	10
black matt	9 3656 05	10
granite black, silk matt, lacquered	9 3656 45	10
chrome glossy, galvanised	9 3656 18	10
chrome matt, galvanised	9 3656 28	10



Intermediate switch

Rated voltage
Switching current

250 V~ ■ with screw terminals
16 AX

SUITABLE FOR	ORDER NO.	PAGE
Contact protection box Ø 45 mm, flat	9 1820 0 ..	43
Contact protection box Ø 45 mm	918 20 ..	43
Contact protection box Ø 49 mm	918 8 ..	44
Contact protection box 2gang	9 191 ..	44
Contact protection box 3gang	919 33	45
Sealing for IP 44 applications	918 53	56
Frame with imprint "IP44"	9 1827 ..	55

i 149

DESIGN	ORDER NO.	PU
Berker Integro Flow/Pure		
brown matt	9 3657 25 01	10
anthracite matt	9 3657 25 05	10
grey glossy	9 3657 25 07	10
polar white glossy	9 3657 25 09	10
black glossy	9 3657 25 10	10
chrome matt, galvanised	9 3657 25 28	10
chrome matt, lacquered	9 3657 25 68	10
stainless steel matt, lacquered	9 3657 25 24	10





Berker Integro Classic

brown matt	9 3657 01	10
polar white glossy	9 3657 09	10



On/off switch 2pole with imprint "0"

Rated voltage
Switching current
For switching of 16 A socket outlets, for example.

250 V~
16 AX ■ with screw terminals

SUITABLE FOR

	ORDER NO.	PAGE
Contact protection box Ø 45 mm, flat	9 1820 0 ..	43
Contact protection box Ø 45 mm	918 20 ..	43
Contact protection box Ø 49 mm	918 8 ..	44
Contact protection box 2gang	9 191 ..	44
Contact protection box 3gang	919 33	45
Sealing for IP 44 applications	918 53	56
Frame with imprint "IP44"	9 1827 ..	55

i 149

DESIGN ORDER NO. PU

Berker Integro Flow/Pure

polar white glossy	8 3652 25 09	200
brown matt	9 3652 25 01	10
anthracite matt	9 3652 25 05	10
grey glossy	9 3652 25 07	10
polar white glossy	9 3652 25 09	10
black glossy	9 3652 25 10	10
granite black, silk matt, lacquered	9 3652 25 45	10
chrome glossy, galvanised	9 3652 25 18	10
chrome matt, galvanised	9 3652 25 28	10
chrome matt, lacquered	9 3652 25 68	10
stainless steel matt, lacquered	9 3652 25 24	10



Berker Integro Classic

brown matt	9 3652 01	10
grey glossy	9 3652 07	10
polar white glossy	9 3652 09	10
black matt	9 3652 05	10
granite black, silk matt, lacquered	9 3652 45	10
chrome matt, galvanised	9 3652 28	10



Control on/off switch 2pole with imprint "0"

- red lens



Rated voltage
Switching current
Neon lamp current

250 V~
16 AX
0.9 mA

- for illumination and monitoring circuit
- with integral neon lamp
- with screw terminals

SUITABLE FOR	ORDER NO.	PAGE
Contact protection box Ø 45 mm, flat	9 1820 0 ..	43
Contact protection box Ø 45 mm	918 20 ..	43
Contact protection box Ø 49 mm	918 8 ..	44
Contact protection box 2gang	9 191 ..	44
Contact protection box 3gang	919 33	45
Sealing for IP 44 applications	918 53	56
Frame with imprint "IP44"	9 1827 ..	55

i 149

DESIGN	ORDER NO.	PU
Berker Integro Flow/Pure		
anthracite matt	8 3752 25 05	200
chrome glossy, galvanised	8 3752 25 18	50
brown matt	9 3752 25 01	10
anthracite matt	9 3752 25 05	10
grey glossy	9 3752 25 07	10
polar white glossy	9 3752 25 09	10
black glossy	9 3752 25 10	10
chrome matt, lacquered	9 3752 25 68	10
stainless steel matt, lacquered	9 3752 25 24	10
Berker Integro Classic		
black matt	8 3752 05	200
brown matt	9 3752 01	10
black matt	9 3752 05	10
grey glossy	9 3752 07	10
polar white glossy	9 3752 09	10



Control on/off switch 2pole with imprint "0", 12 V

- red lens
- control LED



Rated voltage
Switching current
LED current

12 V=
5 A
10 mA

- for illumination and monitoring circuit
- with integral indicator LED
- with screw terminals

SUITABLE FOR	ORDER NO.	PAGE
Contact protection box Ø 45 mm, flat	9 1820 0 ..	43
Contact protection box Ø 45 mm	918 20 ..	43
Contact protection box Ø 49 mm	918 8 ..	44
Contact protection box 2gang	9 191 ..	44
Contact protection box 3gang	919 33	45
Sealing for IP 44 applications	918 53	56
Frame with imprint "IP44"	9 1827 ..	55

i 149

DESIGN	ORDER NO.	PU
Berker Integro Flow/Pure		
brown matt	9 3762 25 31	10
anthracite matt	9 3762 25 35	10
polar white glossy	9 3762 25 39	10
black glossy	9 3762 25 10	10
chrome glossy, galvanised	9 3762 25 18	10
chrome matt, lacquered	9 3762 25 68	10
stainless steel matt, lacquered	9 3762 25 24	10



Multiple rocker switches



Series switch, common input terminal

Rated voltage
Switching current

250 V~
16 AX

■ with screw terminals

SUITABLE FOR	ORDER NO.	PAGE
Contact protection box Ø 45 mm, flat	9 1820 0 ..	43
Contact protection box Ø 45 mm	918 20 ..	43
Contact protection box Ø 49 mm	918 8 ..	44
Contact protection box 2gang	9 191 ..	44
Contact protection box 3gang	919 33 ..	45

i 149

DESIGN	ORDER NO.	PU
Berker Integro Flow/Pure		
brown matt	8 3655 25 01	200
anthracite matt	8 3655 25 05	200
grey glossy	8 3655 25 07	200
polar white glossy	8 3655 25 09	200
brown matt	9 3655 25 01	10
anthracite matt	9 3655 25 05	10
grey glossy	9 3655 25 07	10
polar white glossy	9 3655 25 09	10
black glossy	9 3655 25 10	10
granite black, silk matt, lacquered	9 3655 25 45	10
chrome glossy, galvanised	9 3655 25 18	10
chrome matt, galvanised	9 3655 25 28	10
chrome matt, lacquered	9 3655 25 68	10
stainless steel matt, lacquered	9 3655 25 24	10
gold glossy, galvanised	9 3655 25 38	10
Berker Integro Classic		
brown matt	9 3655 01	10
grey glossy	9 3655 07	10
polar white glossy	9 3655 09	10
black matt	9 3655 05	10
chrome glossy, galvanised	9 3655 18	10
chrome matt, galvanised	9 3655 28	10
gold glossy, galvanised	9 3655 38	10



Double on/off switch 12 V, isolated input terminals

Rated voltage
Switching current

12 V
5 A


■ with screw terminals

SUITABLE FOR	ORDER NO.	PAGE
Contact protection box Ø 45 mm, flat	9 1820 0 ..	43
Contact protection box Ø 45 mm	918 20 ..	43
Contact protection box Ø 49 mm	918 8 ..	44
Contact protection box 2gang	9 191 ..	44
Contact protection box 3gang	919 33 ..	45

i 149

DESIGN	ORDER NO.	PU
Berker Integro Flow/Pure		
brown matt	8 3664 25 01	50
anthracite matt	8 3664 25 05	50
black glossy	8 3664 25 10	50
granite black, silk matt, lacquered	8 3664 25 45	50
chrome glossy, galvanised	8 3664 25 18	50
chrome matt, galvanised	8 3664 25 28	50
chrome matt, lacquered	8 3664 25 68	50

Rocker push-buttons

 Marked items are only suitable for splash-protected IP44 flush-mounted installation when used in conjunction with the appropriate sealing, frame with the imprint "IP44" and contact protection box.



 **Push-button, NO contact**

Rated voltage
Momentary-contact current

250 V~
10 A

■ with screw terminals

SUITABLE FOR	ORDER NO.	PAGE
Contact protection box Ø 45 mm, flat	9 1820 0 ..	43
Contact protection box Ø 45 mm	918 20 ..	43
Contact protection box Ø 49 mm	918 8 ..	44
Contact protection box 2gang	9 191 ..	44
Contact protection box 3gang	919 33	45
Sealing for IP 44 applications	918 53	56
Frame with imprint "IP44"	9 1827 ..	55

 **149**

DESIGN ORDER NO. PU

Berker Integro Flow/Pure

anthracite matt	8 3671 25 05	200
grey glossy	8 3671 25 07	200
brown matt	9 3671 25 01	10
anthracite matt	9 3671 25 05	10
grey glossy	9 3671 25 07	10
polar white glossy	9 3671 25 09	10
black glossy	9 3671 25 10	10
granite black, silk matt, lacquered	9 3671 25 45	10
chrome glossy, galvanised	9 3671 25 18	10
chrome matt, galvanised	9 3671 25 28	10
chrome matt, lacquered	9 3671 25 68	10
stainless steel matt, lacquered	9 3671 25 24	10



Berker Integro Classic

polar white glossy	8 3671 09	200
grey glossy	9 3671 07	10
polar white glossy	9 3671 09	10
black matt	9 3671 05	10
chrome glossy, galvanised	9 3671 18	10
chrome matt, galvanised	9 3671 28	10



 **Push-button, NO contact, illuminated**

- red lens



Rated voltage
Neon lamp current
Momentary-contact current

250 V~
0.9 mA
10 A

■ for illumination and monitoring circuit
■ with integral neon lamp
■ with screw terminals

When several neon lamp units are used, the lamp current may result in malfunctioning of the relay/pulse relay. Remedy: Carry along a neutral conductor or connect a capacitor 230 V (1 µF per 10 mA neon lamp current) in parallel with the coil.

SUITABLE FOR	ORDER NO.	PAGE
Contact protection box Ø 45 mm, flat	9 1820 0 ..	43
Contact protection box Ø 45 mm	918 20 ..	43
Contact protection box Ø 49 mm	918 8 ..	44
Contact protection box 2gang	9 191 ..	44
Contact protection box 3gang	919 33	45
Sealing for IP 44 applications	918 53	56
Frame with imprint "IP44"	9 1827 ..	55

 **149**

DESIGN ORDER NO. PU

Berker Integro Flow/Pure

brown matt	9 3772 25 01	10
anthracite matt	9 3772 25 05	10
grey glossy	9 3772 25 07	10
polar white glossy	9 3772 25 09	10



Multiple rocker push-buttons



Series push-button, 2 NO contacts, common input terminal

Rated voltage
Momentary-contact current

250 V~
10 A

■ with screw terminals

SUITABLE FOR

- Contact protection box Ø 45 mm, flat
- Contact protection box Ø 45 mm
- Contact protection box Ø 49 mm
- Contact protection box 2gang
- Contact protection box 3gang

ORDER NO.

ORDER NO.	PAGE
9 1820 0 ..	43
918 20 ..	43
918 8 ..	44
9 191 ..	44
919 33	45

i 149

DESIGN	ORDER NO.	PU
Berker Integro Flow/Pure		
brown matt	9 3675 25 01	10
anthracite matt	9 3675 25 05	10
grey glossy	9 3675 25 07	10
polar white glossy	9 3675 25 09	10
black glossy	9 3675 25 10	10
granite black, silk matt, lacquered	9 3675 25 45	10
chrome glossy, galvanised	9 3675 25 18	10
chrome matt, galvanised	9 3675 25 08	10
chrome matt, lacquered	9 3675 25 68	10
stainless steel matt, lacquered	9 3675 25 24	10
Berker Integro Classic		
brown matt	9 3675 01	10
grey glossy	9 3675 07	10
polar white glossy	9 3675 09	10
black matt	9 3675 05	10



Series push-button, isolated input terminals

Rated voltage
Momentary-contact current

12 V~
5 A

■ with screw terminals

SUITABLE FOR

- Contact protection box Ø 45 mm, flat
- Contact protection box Ø 49 mm
- Contact protection box 2gang
- Contact protection box 3gang

ORDER NO.

ORDER NO.	PAGE
9 1820 ..	43
918 8 ..	44
9 191 ..	44
919 33	45

i 149

DESIGN	ORDER NO.	PU
Berker Integro Flow/Pure		
chrome glossy, galvanised	9 3665 25 18	10

Blind push-buttons



Blind series push-button with imprinted symbol arrow

Rated voltage
Momentary-contact current

- 250 V~
10 A
- with electrical interlocking to prevent mutual activation
 - with screw terminals

Follow the motor manufacturers' instructions.

SUITABLE FOR	ORDER NO.	PAGE
Contact protection box Ø 45 mm, flat	9 1820 0 ..	43
Contact protection box Ø 45 mm	918 20 ..	43
Contact protection box Ø 49 mm	918 8 ..	44
Contact protection box 2gang	9 191 ..	44
Contact protection box 3gang	919 33	45

DESIGN

ORDER NO.

PU

Berker Integro Flow/Pure

brown matt	9 3653 25 01	10
anthracite matt	9 3653 25 05	10
grey glossy	9 3653 25 07	10
polar white glossy	9 3653 25 09	10
black glossy	9 3653 25 10	10
granite black, silk matt, lacquered	9 3653 25 45	10
chrome glossy, galvanised	9 3653 25 18	10
chrome matt, galvanised	9 3653 25 08	10
chrome matt, lacquered	9 3653 25 68	10
stainless steel matt, lacquered	9 3653 25 24	10



Berker Integro Classic

grey glossy	9 3653 07	10
polar white glossy	9 3653 09	10
black matt	9 3653 05	10

Reverse polarity push-buttons



Reverse polarity push-button, 6 contacts

Operating voltage 12 ... 24 V=
Flat connector size (size width x size width) 4.8 x 0.8 mm
Momentary-contact current at 24 V= 7.5 A
Momentary-contact current at 12 V= 15 A

- e.g. for caravan step
- double change-over contact, usable as NC or NO with separate input terminals
- 6 contacts at the backside
- with fast-on terminal connection

SUITABLE FOR	ORDER NO.	PAGE
Contact protection box Ø 45 mm	918 20 ..	43
Contact protection box Ø 49 mm	918 8 ..	44
Contact protection box 2gang	9 191 ..	44
Contact protection box 3gang	919 33	45

DESIGN

ORDER NO.

PU

chrome glossy, galvanised	9 3697 25 18	10
---------------------------	---------------------	----



Reverse polarity push-button, 4 contacts, with imprint for steps

Operating voltage 12 ... 24 V=
 Momentary-contact current at 12 V= 15 A
 Momentary-contact current at 24 V= 7.5 A
 Flat connector size (size width x size width) 4.8 x 0.8 mm

- e.g. for caravan step
- 4 contacts at the backside
- with fast-on terminal connection

SUITABLE FOR	ORDER NO.	PAGE
Contact protection box Ø 45 mm	918 20 ..	43
Contact protection box Ø 49 mm	918 8 ..	44
Contact protection box 2gang	9 191 ..	44
Contact protection box 3gang	919 33	45

DESIGN	ORDER NO.	PU
anthracite	8 3699 25 05	200
brown matt	9 3699 25 01	10
anthracite matt	9 3699 25 05	10
grey glossy	9 3699 25 07	10
polar white glossy	9 3699 25 09	10
black glossy	9 3699 25 10	10
chrome matt, lacquered	9 3699 25 68	10
chrome matt, galvanised	9 3699 25 28	10



Reverse polarity push-button, 5 contacts, with imprint for steps

Operating voltage 12 ... 24 V=
 Momentary-contact current at 12 V= 15 A
 Momentary-contact current at 24 V= 7.5 A
 Flat connector size (size width x size width) 4.8 x 0.8 mm

- e.g. for caravan step
- 5 contacts at the backside
- with fast-on terminal connection

SUITABLE FOR	ORDER NO.	PAGE
Contact protection box Ø 45 mm	9 1820 ..	43
Contact protection box Ø 49 mm	918 8 ..	44
Contact protection box 2gang	9 191 ..	44
Contact protection box 3gang	919 33	45

DESIGN	ORDER NO.	PU
stainless steel matt, lacquered	8 3695 25 24	200
brown matt	9 3695 25 01	10
anthracite matt	9 3695 25 05	10
grey glossy	9 3695 25 07	10
polar white glossy	9 3695 25 09	10
black glossy	9 3695 25 10	10
chrome glossy, galvanised	9 3695 25 18	10
chrome matt, galvanised	9 3695 25 28	10
chrome matt, lacquered	9 3695 25 68	10



Reverse polarity push-button, 6 contacts, with imprint for steps

Operating voltage 12 ... 24 V=
 Momentary-contact current at 12 V= max. 15 A
 Momentary-contact current at 24 V= max. 7.5 A
 Flat connector size (size width x size width) 4.8 x 0.8 mm

- e.g. for caravan step
- double change-over contact, usable as NC or NO with separate input terminals
- 6 contacts at the backside
- with fast-on terminal connection

SUITABLE FOR	ORDER NO.	PAGE
Contact protection box Ø 45 mm	918 20 ..	43
Contact protection box Ø 49 mm	918 8 ..	44
Contact protection box 2gang	9 191 ..	44
Contact protection box 3gang	919 33	45

DESIGN	ORDER NO.	PU
anthracite matt	9 3697 25 05	10
black glossy	9 3697 25 10	10
chrome glossy, galvanised	9 3697 25 38	10



Reverse polarity push-button, 4 contacts, with imprint for awnings

Operating voltage 12 ... 24 V=
Momentary-contact current at 12 V= 15 A
Momentary-contact current at 24 V= 7.5 A
Flat connector size (size width x size width) 4.8 x 0.8 mm

- e.g. for caravan awning
- 4 contacts at the backside
- with fast-on terminal connection

SUITABLE FOR	ORDER NO.	PAGE
Contact protection box Ø 45 mm	918 20 ..	43
Contact protection box Ø 49 mm	918 8 ..	44
Contact protection box 2gang	9 191 ..	44
Contact protection box 3gang	919 33	45

DESIGN	ORDER NO.	PU
anthracite matt	9 3696 25 05	10
chrome glossy, galvanised	9 3696 25 18	10
chrome matt, galvanised	9 3696 25 28	10
chrome matt, lacquered	9 3696 25 68	10



Reverse polarity push-button, 6 contacts, with imprinted arrows symbol

Operating voltage 24 V=
Momentary-contact current at 12 V= 15 A
Momentary-contact current at 24 V= 7.5 A
Flat connector size (size width x size width) 4.8 x 0.8 mm

- double change-over contact, usable as NC or NO with separate input terminals
- 6 contacts at the backside

Suitable for all Berker Integro contact protection boxes Ø 45 mm (except the flat design) and Ø 49 mm.

SUITABLE FOR	ORDER NO.	PAGE
Contact protection box Ø 45 mm	918 20 ..	43
Contact protection box Ø 49 mm	918 8 ..	44
Contact protection box 2gang	9 191 ..	44
Contact protection box 3gang	919 33	45

DESIGN	ORDER NO.	PU
chrome glossy, galvanised	8 3697 25 78	50

Appliance switches



On/off switch, 2-pole USA/CANADA with printing "0" and "I"

Rated voltage 250 V~
Switching current 16 A
Flat connector size (size width x size width) 6.3 x 0.8 mm

- with fast-on terminal connection

Switch UL listed.

SUITABLE FOR	ORDER NO.	PAGE
Contact protection box Ø 45 mm, flat	9 1820 0 ..	43
Contact protection box Ø 45 mm	918 20 ..	43
Contact protection box Ø 49 mm	918 8 ..	44
Contact protection box 2gang	9 191 ..	44
Contact protection box 3gang	919 33	45

DESIGN	ORDER NO.	PU
polar white matt	9 4509 25 02	10
anthracite matt	9 4509 25 05	10
black matt	9 4509 05	10



Rotary dimmers



Rotary dimmer 12 V DC

- setting knob



Rated voltage 12 V=
 Quiescent current 3 mA
 12 V incandescent lamps and halogen lamps 10 ... 60 W
 Insertion depth 33 mm
 Axis dimension Ø 4 mm

- with soft-lock
- with pulse width modulation (PWM)
- with on/off pressure switch
- short-circuit and overload proof (electronic fuse)
- with screw terminals

Do not mount with Berker Integro contact protection boxes, flush-mounted housings or fixing clamping ring.

DESIGN	ORDER NO.	PU
Berker Integro Flow/Pure		
brown matt	# 9 2876 25 01	1
anthracite matt	# 9 2876 25 05	1
grey glossy	# 9 2876 25 07	1
polar white glossy	# 9 2876 25 09	1
black glossy	# 9 2876 25 10	1
granite black, silk matt, lacquered	# 9 2876 25 45	1
chrome glossy, galvanised	# 9 2876 25 18	1
chrome matt, galvanised	# 9 2876 25 28	1
chrome matt, lacquered	# 9 2876 25 68	1
stainless steel matt, lacquered	# 9 2876 25 24	1
Berker Integro Classic		
brown matt	# 9 2876 01	1
grey glossy	# 9 2876 07	1
polar white glossy	# 9 2876 09	1
black matt	# 9 2876 05	1
granite black, silk matt, lacquered	# 9 2876 45	1
chrome glossy, galvanised	# 9 2876 18	1
chrome matt, galvanised	# 9 2876 28	1



Rotary dimmer with frame

- setting knob



Frequency 50 Hz
 Operating voltage 230 V~
 230 V incandescent lamps and halogen lamps 60 ... 400 W
 Number of built-in power boosters (R, L) max. 10
 Axis dimension Ø 4 mm

- phase cut-on
- with change-over pressure switch
- short-circuit and overload proof (fine-wire fuse)
- with spare fuse
- with screw terminals

i 149

Do not mount with Berker Integro contact protection boxes, flush-mounted housings or fixing clamping ring.

DESIGN	ORDER NO.	PU
Berker Integro Flow		
brown matt	# 9 2871 25 71	1
anthracite matt	# 9 2871 25 75	1
grey glossy	# 9 2871 25 77	1
polar white glossy	# 9 2871 25 79	1
Berker Integro Classic		
brown matt	# 9 2871 71	1
grey glossy	# 9 2871 77	1
polar white glossy	# 9 2871 79	1
black matt	# 9 2871 75	1

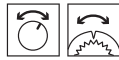


1 - 10 V Control units



1 - 10 V rotary potentiometer with frame

- setting knob
- soft locking



Frequency	50/60 Hz
Operating voltage	230 V~
Switching current	6 A
Control current	50 mA
Insertion depth	22 mm
Axis dimension Ø	4 mm

- basic brightness programmable
- e.g. for fluorescent lamps and LV halogen lamps
- for switching and controlling electronic ballasts and 1 - 10 V Tronic transformers, 105 W
- with on/off pressure switch
- short-circuit and overload proof (fine-wire fuse)
- with spare fuse
- with screw terminals

To ensure same illumination, use only electronic ballasts and fluorescent lamps from the same manufacturers.

Possible to change fuse without removing cover.

Do not mount with Berker Integro contact protection boxes, flush-mounted housings or fixing clamping ring.

Interface according to DIN EN 61347-2-3

DESIGN	ORDER NO.	PU
Berker Integro Flow		
brown matt	9 2891 25 01	10
anthracite matt	9 2891 25 05	10
grey glossy	9 2891 25 06	10
polar white glossy	9 2891 25 09	10



Accessories

Contact protection boxes

- Flame resistant according to VDE 0606-1



Contact protection box Ø 45 mm, flat

Cable Ø	max. 12 mm	■ only for switches and push-buttons
Insertion depth	22 mm	■ with cable entry

Strain relief not suitable for flat cables.

i 150

DESIGN	ORDER NO.	PU
grey, without strain relief	9 1820 03	200
grey, with strain relief	9 1820 01	200



Contact protection box Ø 45 mm

Cable Ø	max. 12 mm	■ for switches and socket outlets
Insertion depth	35.5 mm	■ with 4 cable entries
		■ 6 knockout openings

Strain relief not suitable for flat cables.

i 150

DESIGN	ORDER NO.	PU
grey, without strain relief	9 1820 02	200
grey, with strain relief	918 20	200
grey, with strain relief for fire protection applications	9 1820 20	200



Contact protection box Ø 49 mm

Cable Ø max. 12 mm ■ with 2 cable entries
 Insertion depth 38 mm

Strain relief not suitable for flat cables.

i 150

DESIGN	ORDER NO.	PU
grey, without strain relief	9 1887 01	200
grey, with 1x internal double cable clamp on side	918 87	200



Contact protection box Ø 49 mm, deep

Cable Ø max. 12 mm ■ with 2 cable entries on backside
 Insertion depth 45.5 mm ■ 1 knock out opening

Strain relief not suitable for flat cables.

i 150

DESIGN	ORDER NO.	PU
grey, with 1x external double strain relief	918 83	200
grey, with 1 external double cable clamp for fire protection applications	9 1883 20	200



Contact protection box 2gang

Length 109 mm ■ with 2 cable entries
 Width 49 mm ■ for vertical and horizontal mounting
 Insertion depth 37 mm ■ 1 knock out opening

Strain reliefs not suitable for flat cables.
 Only suitable for 2gang frames!

i 150

DESIGN	ORDER NO.	PU
grey, with strain relief	8 1915 01	100
grey, with 2 strain reliefs	8 1915 02	100
grey, with strain relief	9 1915 01	10
grey, with 2 strain reliefs	9 1915 02	10



Contact protection box 2gang vertical, deep

Length 109 mm ■ with 4 cable entries on backside
 Width 48 mm ■ for vertical mounting
 Cable Ø max. 12 mm ■ 3 knock out openings
 Insertion depth 45.5 mm

Strain relief not suitable for flat cables.
 Only suitable for 2gang frames!

i 150

DESIGN	ORDER NO.	PU
grey, without strain relief	9 1911 02	100
grey, with 1x external double strain relief	919 11	100
grey, with 2x external double strain reliefs	9 1911 01	100



Contact protection box 2gang horizontal, deep

Length 48 mm ■ with 4 cable entries on backside
 Width 109 mm ■ for horizontal mounting
 Cable Ø max. 12 mm ■ 2 knock out openings
 Insertion depth 45.5 mm

Strain relief not suitable for flat cables.
 Only suitable for 2gang frames!

i 150

DESIGN	ORDER NO.	PU
grey, with 1x external double strain relief	919 12	100
grey, with 2x external double strain reliefs	9 1912 01	100



Contact protection box 3gang

Length	168 mm	■ with 6 cable entries, 1 per side, top, bottom and 2 on backside
Width	49 mm	■ for vertical and horizontal mounting
Cable Ø	max. 12 mm	■ 5 knock out openings
Insertion depth	38 mm	

Strain relief not suitable for flat cables.

All devices can optionally be arranged vertically or horizontally.

Only suitable for 3gang frames (except order no. 9 1819 25 18, 9 1978 25 18 and 9 1978 25 28).

Restricted installation options apply if the cable clamp is mounted on the front face.

i 150

DESIGN	ORDER NO.	PU
grey, with 1 strain relief	919 33	10



Contact protection box Ø 58 mm for terminal attachment

Cable Ø	max. 12 mm
Insertion depth	35 mm

Strain relief not suitable for flat cables.

i 150

DESIGN	ORDER NO.	PU
grey, without strain relief	8 1837 01	200
grey, with 1x internal cable clamp	818 37	200

Supplementary products



Fixing clamping ring

Hole Ø	50 mm
--------	-------

For Berker Integro inserts, e. g. for installation in a mirror.

SUITABLE FOR	ORDER NO.	PAGE
Contact protection box Ø 58 mm for terminal attachment	818 37 ..	45

i 150

DESIGN	ORDER NO.	PU
grey, material thickness 5 mm	818 36	200
dark grey, material thickness 4 mm	8 1836 01	200
polar white matt, material thickness 6 mm	8 1836 02	200



Blank plate

- with supporting plate

DESIGN	ORDER NO.	PU
brown matt	8 4516 25 01	200
anthracite matt	8 4516 25 05	200
grey glossy	8 4516 25 07	200
polar white glossy	8 4516 25 09	200
chrome matt, lacquered	8 4516 25 68	200
brown matt	9 4516 25 01	10
grey glossy	9 4516 25 07	10
polar white glossy	9 4516 25 09	10
black glossy	9 4516 25 10	10
black matt	9 4516 05	10
granite black, silk matt, lacquered	9 4516 25 45	10
stainless steel matt, lacquered	9 4516 25 24	10



Mounting template 3gang, cardboard

For precise hole drilling for 1gang appliances and for 2gang and 3gang combinations.

DESIGN	ORDER NO.	PU
grey, cardboard	918 44	10



Mounting template, 2gang, solid aluminium

For precise hole drilling for 1gang appliances and for 2gang combinations.

DESIGN	ORDER NO.	PU
Aluminium anodised	9 1845 02	1



Mounting template, 3gang, solid aluminium

For precise hole drilling for 1gang appliances and for 2gang and 3gang combinations.

DESIGN	ORDER NO.	PU
Aluminium anodised	9 1845 03	1



Built-in socket for floating output

Conductor cross-section (rigid) max. 6 mm² ■ for centre plate with cut-out dia. 18.8 mm
 ■ with a green yellow signal ring

For separate earthing of medical-technical equipment and lab equipment.

Connection pins according to DIN 42801



DESIGN	ORDER NO.	PU
Built-in socket for floating output	4604	1



Plug 12 V

Rated current max. 8 A ■ with solder connection
 Operating voltage 12 ... 24 V

SUITABLE FOR	ORDER NO.	PAGE
Socket outlet 12 V	8 4517 ..	23
Socket outlet 12 V	9 4517 ..	23



DESIGN	ORDER NO.	PU
black matt	4637	1



Wire and duct entry

Also suitable for surface-mounted frames and housings from the flush-mounted programmes. ■ for wire or 15 x 15 mm cable duct

SUITABLE FOR	ORDER NO.	PAGE
Surface-mounted housing high	9 1151 ..	65

DESIGN	ORDER NO.	PU
white	1813	10
polar white	1813 09	10
black	1813 05	10

Products for Truma devices



Frame 1gang for Truma devices

To be used only for Truma devices!

DESIGN	ORDER NO.	PU
anthracite matt	8 1971 25 05	200
chrome glossy, galvanised	8 1971 25 17	200
brown matt	9 1971 25 01	10
anthracite matt	9 1971 25 05	10
grey glossy	9 1971 25 07	10
polar white glossy	9 1971 25 09	10
black glossy	9 1971 25 10	10
chrome matt, lacquered	9 1971 25 68	10
chrome glossy, galvanised	9 1971 25 17	10
stainless steel matt, lacquered	9 1971 25 24	10



Frame 2gang for Truma devices

To be used only for Truma devices!

DESIGN	ORDER NO.	PU
brown matt	8 1972 25 01	100
anthracite matt	8 1972 25 05	100
brown matt	9 1972 25 01	2
anthracite matt	9 1972 25 05	2
chrome matt, lacquered	9 1972 25 68	2



Frame 3gang for Truma devices

To be used only for Truma devices!

DESIGN	ORDER NO.	PU
brown matt	8 1973 25 01	200
anthracite matt	8 1973 25 05	200
brown matt	9 1973 25 01	2
anthracite matt	9 1973 25 05	2
chrome matt, lacquered	9 1973 25 68	2



Blank plate for Truma frame

DESIGN	ORDER NO.	PU
brown matt	8 1974 25 01	200
anthracite matt	8 1974 25 05	200
grey matt	8 1974 25 06	200
black matt	8 1974 25 03	200
chrome matt, lacquered	8 1974 25 68	200
brown matt	9 1974 25 01	10
anthracite matt	9 1974 25 05	10
chrome matt, lacquered	9 1974 25 68	10



FRAMES	52 - 56
SURFACE-MOUNTED HOUSINGS	57

A contemporary solution for every installation environment - straight-line contours and angular corners, coupled with arched surface geometry.

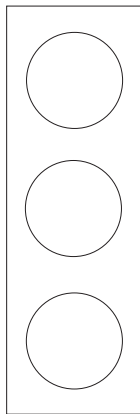
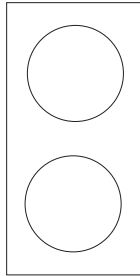
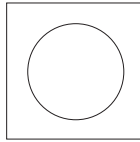
In this manner Integro Flow ensures a harmonious transition to the operating section for any installation surface. The ideal product for virtually any interior style.



MARKED ITEMS ARE SUITABLE FOR SPLASH-PROTECTED IP44 INSTALLATION
WHEN USED IN CONJUNCTION WITH THE CORRESPONDING SEALING SET.

BERKER INTEGRO FLOW
DIMENSIONS / PRODUCT EXAMPLES

Frame 1-3gang (W x H)
1gang: 59.5 x 59.5 mm
2gang: 59.5 x 119 mm
3gang: 59.5 x 178.5 mm



PRODUCT EXAMPLES





FRAMES/COVERS/CENTRAL INSERTS

Plastic, glossy

Grey	similar to RAL 7038
Polar white	similar to RAL 9010
Black	similar to RAL 9005
Red	similar to RAL 3002
Green	similar to RAL 6032
Orange	similar to RAL 2008

Plastic, lacquered

Chrome matt	similar to RAL 9006
Stainless steel	similar to RAL 9022

Plastic, matt

Brown	similar to RAL 8017
Anthracite	similar to RAL 7021

Plastic galvanised

Chrome glossy	similar to RAL 9023
Chrome matt	similar to RAL 9006
Gold glossy	



Frames



Frame 1gang

i 151

DESIGN	ORDER NO.	PU
brown matt	8 1827 25 01	200
anthracite matt	8 1827 25 05	200
grey glossy	8 1827 25 07	200
polar white glossy	8 1827 25 09	200
brown matt	9 1827 25 01	10
anthracite matt	9 1827 25 05	10
grey glossy	9 1827 25 07	10
polar white glossy	9 1827 25 09	10
black glossy	9 1827 25 10	10
chrome glossy, galvanised	9 1827 25 18	10
chrome matt, galvanised	9 1827 25 28	10
chrome matt, lacquered	9 1827 25 58	10
stainless steel matt, lacquered	9 1827 25 24	10
gold glossy, galvanised	9 1827 25 38	10
red glossy	9 1827 25 76	10
green glossy	9 1827 25 70	10
orange glossy	9 1827 25 74	10



Frame 2gang

■ for vertical and horizontal mounting

i 151

DESIGN	ORDER NO.	PU
brown matt	8 1826 25 11	100
anthracite matt	8 1826 25 15	100
grey glossy	8 1826 25 07	100
polar white glossy	8 1826 25 19	100
red glossy	8 1826 25 76	100
brown matt	9 1826 25 11	2
anthracite matt	9 1826 25 15	2
grey glossy	9 1826 25 07	2
polar white glossy	9 1826 25 19	2
black glossy	9 1826 25 10	2
chrome glossy, galvanised	9 1826 25 18	2
chrome matt, galvanised	9 1826 25 28	2
chrome matt, lacquered	9 1826 25 58	2
stainless steel matt, lacquered	9 1826 25 24	2
gold glossy, galvanised	9 1826 25 38	2
red glossy	9 1826 25 76	2
green glossy	9 1826 25 70	2
orange glossy	9 1826 25 74	2



Frame 3gang

■ for vertical and horizontal mounting

i 151

DESIGN	ORDER NO.	PU
anthracite matt	8 1819 25 15	200
brown matt	9 1819 25 11	2
anthracite matt	9 1819 25 15	2
grey glossy	9 1819 25 07	2
polar white glossy	9 1819 25 19	2
black glossy	9 1819 25 10	2
chrome matt, lacquered	9 1819 25 68	2
chrome glossy, galvanised	9 1819 25 18	2
stainless steel matt, lacquered	9 1819 25 24	2
red glossy	9 1819 25 76	2
green glossy	9 1819 25 70	2
orange glossy	9 1819 25 74	2



Frame

- labelling field



Labelling field height arranged for P-touch strips 6 mm.

DESIGN	ORDER NO.	PU
anthracite matt	9 1803 25 05	10
grey glossy	9 1803 25 07	10
polar white glossy	9 1803 25 09	10
chrome matt, lacquered	9 1803 25 68	10
red glossy	9 1803 25 76	10
green glossy	9 1803 25 90	10
orange glossy	9 1803 25 94	10



Frame

- lens, upper right



■ for socket with indicator LED

DESIGN	ORDER NO.	PU
anthracite matt	9 1987 25 05	10
grey glossy	9 1987 25 06	10
polar white glossy	9 1987 25 02	10
red glossy	9 1987 25 76	10
green glossy	9 1987 25 03	10
orange glossy	9 1987 25 04	10



Frame

**- labelling field
- lens, upper left**



Labelling field height arranged for P-touch strips 6 mm.

■ for socket with indicator LED

DESIGN	ORDER NO.	PU
anthracite matt	8 1970 25 05	200
grey glossy	8 1970 25 06	200
polar white glossy	8 1970 25 02	200
red glossy	8 1970 25 76	200
green glossy	8 1970 25 03	200
orange glossy	8 1970 25 04	200



Frame

- labelling field
- lens, upper right

■ for socket with indicator LED



Labelling field height arranged for P-touch strips 6 mm.

DESIGN	ORDER NO.	PU
anthracite matt	8 1977 25 05	200
grey glossy	8 1977 25 06	200
polar white glossy	8 1977 25 02	200
red glossy	8 1977 25 76	200
green glossy	8 1977 25 03	200
orange glossy	8 1977 25 04	200
anthracite matt	9 1977 25 05	10
grey glossy	9 1977 25 06	10
polar white glossy	9 1977 25 02	10
red glossy	9 1977 25 76	10
green glossy	9 1977 25 03	10
orange glossy	9 1977 25 04	10

Frames with hinged cover



Frame with hinged cover

■ for covering of socket outlets

i 151

DESIGN	ORDER NO.	PU
brown matt	8 1828 25 01	200
anthracite matt	8 1828 25 05	200
grey glossy	8 1828 25 07	200
polar white glossy	8 1828 25 09	200
brown matt	9 1828 25 01	10
anthracite matt	9 1828 25 05	10
grey glossy	9 1828 25 07	10
polar white glossy	9 1828 25 09	10
black glossy	9 1828 25 10	10
chrome glossy, galvanised	9 1828 25 18	10
chrome matt, galvanised	9 1828 25 28	10
chrome matt, lacquered	9 1828 25 78	10
stainless steel matt, lacquered	9 1828 25 24	10
gold glossy, galvanised	9 1828 25 38	10
red glossy	9 1828 25 76	10
green glossy	9 1828 25 70	10
orange glossy	9 1828 25 74	10



Frame with hinged cover

- labelling field


- with 2 labelling field inlays, neutral and perforated for socket outlet with indicator LED
- for covering of socket outlets



Labelling field height arranged for P-touch strips 9 mm.

DESIGN	ORDER NO.	PU
anthracite matt	9 1988 25 05	10
grey glossy	9 1988 25 06	10
polar white glossy	9 1988 25 02	10
red glossy	9 1988 25 76	10
green glossy	9 1988 25 03	10
orange glossy	9 1988 25 04	10

IP44 applications

 Marked items are only suitable for splash-protected IP44 flush-mounted installation when used in conjunction with the corresponding sealing and contact protection box.



 **Frame with imprint "IP44"**

Not for switches/buttons with split rocker!
IP44

- without sealing
- for water-proof covering of rocker switches/rocker push-buttons

SUITABLE FOR	ORDER NO.	PAGE
On/off switch	8 3651 ..	32
Change-over switch	8 3656 ..	33
Intermediate switch	9 3657 ..	34
On/off switch 2pole with imprint "0"	8 3652 25 09	34
Control on/off switch 2pole with imprint "0"	8 3752 ..	35
On/off switch 2pole with imprint "0"	9 3652 ..	34
Control on/off switch 2pole with imprint "0", 12 V	9 3762 25 ..	35
Push-button, NO contact	8 3671 ..	37
Push-button, NO contact, illuminated	9 3772 ..	37
Sealing for IP 44 applications	818 53	56

i 151

DESIGN	ORDER NO.	PU
brown matt	9 1827 25 91	10
anthracite matt	9 1827 25 95	10
grey glossy	9 1827 25 97	10
polar white glossy	9 1827 25 99	10
chrome matt, lacquered	9 1827 25 68	10



 **Frame with hinged cover and imprint "IP44"**

IP44

- without sealing
- for waterproof covering of socket outlets

SUITABLE FOR	ORDER NO.	PAGE
SCHUKO socket outlets with "SNAP IN"		page 14
SCHUKO socket outlet	8 4185 ..	12
SCHUKO socket outlet	8 4195 ..	12
SCHUKO socket outlet	8 477 ..	13
Socket outlet with earthing pin	8 6185 ..	21
Socket outlet with earthing pin	8 6195 ..	21
Socket outlet with earthing pin FRANCE/ BELGIUM	9 6195 ..	21
Sealing for IP 44 applications	818 53	56

i 151

DESIGN	ORDER NO.	PU
anthracite matt	8 1828 25 95	200
grey glossy	8 1828 25 97	200
polar white glossy	8 1828 25 99	200
brown matt	9 1828 25 91	10
anthracite matt	9 1828 25 95	10
grey glossy	9 1828 25 97	10
polar white glossy	9 1828 25 99	10
chrome matt, lacquered	9 1828 25 68	10
red glossy	9 1828 25 86	10
green glossy	9 1828 25 90	10
orange glossy	9 1828 25 94	10



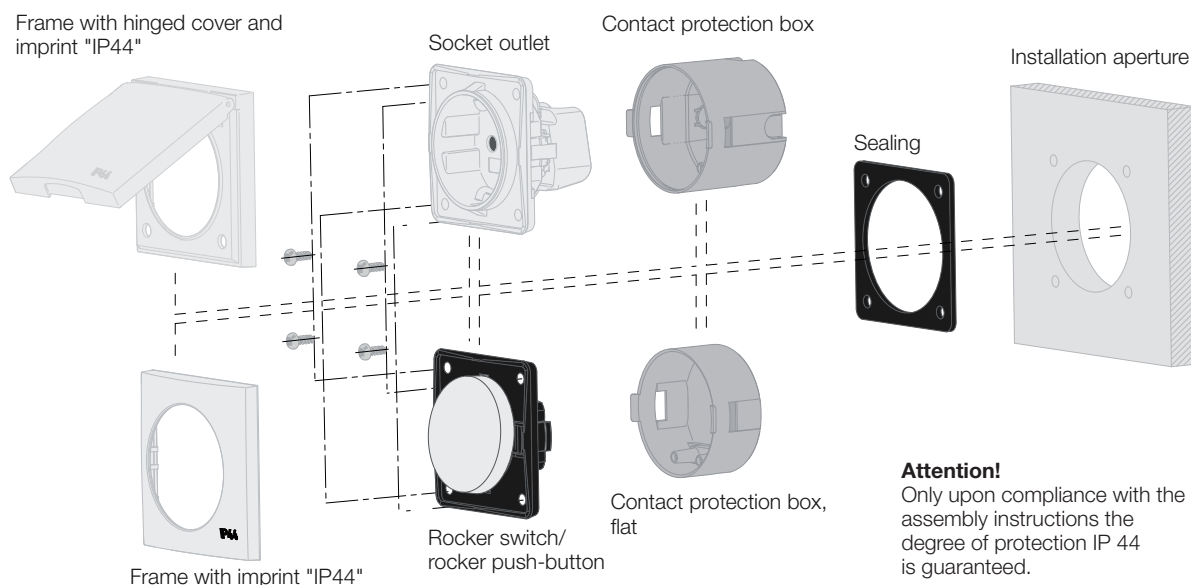
Sealing for IP 44 applications

- for SCHUKO socket outlets and socket outlets with earthing pin (frame with hinged cover IP 44 and contact protection box required!)
- for rocker switch/rocker push-button (frame IP 44 and contact protection box required!)

SUITABLE FOR	ORDER NO.	PAGE
SCHUKO socket outlets		page 12
Socket outlets with earthing pin		page 21
Rocker switches		page 32
Rocker push-buttons		page 37
Frame with hinged cover and imprint "IP44"	8 1828 ..	55
Frame with imprint "IP44"	9 1827 ..	55

DESIGN	ORDER NO.	PU
black	818 53	200
black	918 53	10

Assembly instructions of IP44 covers



Surface-mounted housings



Surface-mounted housing high

Dimensions (W x H x D) 59.5 x 59.5 x 41 mm

- with cable entry
- for mounting on combustible base surface
- to built-on installation of devices

SUITABLE FOR
Wire and duct entry

ORDER NO.
1813 ..

PAGE
46

i 151

DESIGN	ORDER NO.	PU
without strain relief		
brown glossy	9 1151 25 01	10
anthracite glossy	9 1151 25 05	10
grey glossy	9 1151 25 07	10
polar white glossy	9 1151 25 09	10
black glossy	9 1151 25 10	10
with strain relief		
brown glossy	9 1151 25 11	10
anthracite glossy	9 1151 25 15	10
grey glossy	9 1151 25 17	10
polar white glossy	9 1151 25 19	10
black glossy	9 1151 25 20	10



Surface-mounted housing flat

Dimensions (W x H x D) 59.5 x 59.5 x 16 mm

- for mounting on combustible base surface
- to built-on installation of switches and push-buttons

i 151

DESIGN	ORDER NO.	PU
without strain relief		
anthracite glossy	9 1152 25 25	10
polar white glossy	9 1152 25 29	10
with 1 strain relief		
polar white glossy	8 1152 25 59	200
with 2 Strain reliefs		
anthracite glossy	9 1152 25 55	10
polar white glossy	9 1152 25 59	10
with 2 Strain reliefs		
polar white glossy	8 1152 25 69	200
anthracite glossy	9 1152 25 65	10
polar white glossy	9 1152 25 69	10



Surface-mounted spacer ring

Dimensions (W x H x D) 59.5 x 59.5 x 10 mm

- for the reduction of the installation depth of the devices and surface-mounting of switches and push-buttons

i 151

DESIGN	ORDER NO.	PU
brown glossy	9 1825 25 11	10
anthracite glossy	9 1825 25 15	10
grey glossy	9 1825 25 06	10
polar white glossy	9 1825 25 12	10
black glossy	9 1825 25 10	10
chrome matt, lacquered	9 1825 25 68	10
stainless steel matt, lacquered	9 1825 25 24	10



FRAMES	62 - 65
SURFACE-MOUNTED HOUSINGS	66

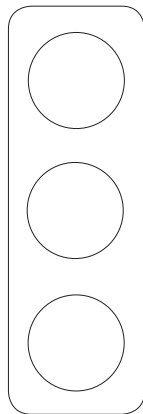
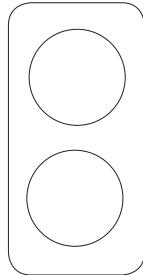
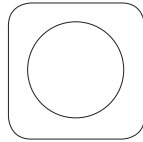
The classic in the Integro family. Timeless design elements, such as rounded corners and smooth or structured surfaces, perfectly combined with modern design parameters such as flat surface geometry and a discrete radius on the corners. Thus the Integro Classic installations advance to real eye-catchers. The granite-black, silk-matt lacquered design guarantees a special operating experience. An innovative refined surface lacquer offers exceptional haptics for the connoisseur.



MARKED ITEMS ARE SUITABLE FOR SPLASH-PROTECTED IP44 INSTALLATION
WHEN USED IN CONJUNCTION WITH THE CORRESPONDING SEALING SET.

BERKER INTEGRO CLASSIC
DIMENSIONS / PRODUCT EXAMPLES

Frame 1-3gang (W x H)
1gang: 59.5 x 59.5 mm
2gang: 59.5 x 119 mm
3gang: 59.5 x 178.5 mm



PRODUCT AND COLOUR EXAMPLES





FRAMES/COVERS/CENTRAL INSERTS

Plastic, glossy

Grey	similar to RAL 7038
Polar white	similar to RAL 9010
Red	similar to RAL 3002
Green	similar to RAL 6032
Orange	similar to RAL 2008

Plastic, lacquered, silk matt

Granite black	similar to RAL 7026
---------------	---------------------

Plastic, galvanised

Chrome glossy	similar to RAL 9023
Chrome matt	similar to RAL 9006
Gold glossy	

Plastic, matt

Brown	similar to RAL 8017
Black	similar to RAL 9011



Frames



Frame 1gang

i 151

DESIGN	ORDER NO.	PU
brown matt	8 1827 01	200
grey glossy	8 1827 07	200
polar white glossy	8 1827 09	200
black matt	8 1827 05	200
brown matt	9 1827 01	10
grey glossy	9 1827 07	10
polar white glossy	9 1827 09	10
black matt	9 1827 05	10
granite black, silk matt, lacquered	9 1827 45	10
chrome glossy, galvanised	9 1827 18	10
chrome matt, galvanised	9 1827 28	10
gold glossy, galvanised	9 1827 38	10
red glossy	9 1827 86	10
green glossy	9 1827 87	10
orange glossy	9 1827 88	10



Frame, screw mounting

i 151

DESIGN	ORDER NO.	PU
black matt	9 1827 10	10



Frame 2gang

■ for vertical and horizontal mounting

i 151

DESIGN	ORDER NO.	PU
brown matt	8 1826 11	100
grey glossy	8 1826 07	100
black matt	8 1826 15	100
brown matt	9 1826 11	2
grey glossy	9 1826 07	2
polar white glossy	9 1826 19	2
black matt	9 1826 15	2
granite black, silk matt, lacquered	9 1826 45	2
chrome glossy, galvanised	9 1826 18	2
chrome matt, galvanised	9 1826 28	2
gold glossy, galvanised	9 1826 38	2



Frame 3gang

■ for vertical and horizontal mounting

i 151

DESIGN	ORDER NO.	PU
brown matt	9 1819 11	2
grey glossy	9 1819 07	2
polar white glossy	9 1819 19	2
black matt	9 1819 15	2
granite black, silk matt, lacquered	9 1819 45	2

Frames with hinged cover



Frame with hinged cover

- without sealing
- for covering of socket outlets

i 151

DESIGN	ORDER NO.	PU
brown matt	8 1828 01	200
grey glossy	8 1828 07	200
polar white glossy	8 1828 09	200
black matt	8 1828 05	200
brown matt	9 1828 01	10
grey glossy	9 1828 07	10
polar white glossy	9 1828 09	10
black matt	9 1828 05	10
granite black, silk matt, lacquered	9 1828 45	10
chrome glossy, galvanised	9 1828 18	10
chrome matt, galvanised	9 1828 28	10

IP44 applications



Marked items are only suitable for splash-protected IP44 flush-mounted installation when used in conjunction with the corresponding sealing and contact protection box.



Frame with imprint "IP44"

Not for switches/buttons with split rocker!
IP44

- without sealing
- for water-proof covering of rocker switches/rocker push-buttons

SUITABLE FOR	ORDER NO.	PAGE
On/off switch	8 3651 ..	32
Change-over switch	8 3656 ..	33
Intermediate switch	9 3657 ..	34
On/off switch 2pole with imprint "0"	8 3652 25 09	34
Control on/off switch 2pole with imprint "0"	8 3752 ..	35
On/off switch 2pole with imprint "0"	9 3652 ..	34
Control on/off switch 2pole with imprint "0", 12 V	9 3762 25 ..	35
Push-button, NO contact	8 3671 ..	37
Push-button, NO contact, illuminated	9 3772 ..	37
Sealing for IP 44 applications	818 53	56

i 151

DESIGN	ORDER NO.	PU
brown matt	9 1827 91	10
grey glossy	9 1827 97	10
polar white glossy	9 1827 99	10
black matt	9 1827 95	10



Frame with hinged cover and imprint "IP44"

IP44

- without sealing
- for waterproof covering of socket outlets

SUITABLE FOR	ORDER NO.	PAGE
SCHUKO socket outlets with "SNAP IN"		page 14
SCHUKO socket outlet	8 4185 ..	12
SCHUKO socket outlet	8 4195 ..	12
SCHUKO socket outlet	8 4779 ..	13
SCHUKO socket outlet	8 4778 ..	13
Socket outlet with earthing pin	8 6185 ..	21
Socket outlet with earthing pin	8 6195 ..	21
Socket outlet with earthing pin FRANCE / BELGIUM	9 6195 ..	21
Sealing for IP 44 applications	818 53	56

i 151

DESIGN	ORDER NO.	PU
grey glossy	8 1828 97	200
polar white glossy	8 1828 99	200
black matt	8 1828 95	200
brown matt	9 1828 91	10
grey glossy	9 1828 97	10
polar white glossy	9 1828 99	10
black matt	9 1828 95	10
red glossy	9 1828 86	10
green glossy	9 1828 90	10
orange glossy	9 1828 94	10



Frame with hinged cover and imprint "IP44", screw-on

IP44

- without sealing
- for waterproof covering of socket outlets

SUITABLE FOR	ORDER NO.	PAGE
SCHUKO socket outlet	8 4185 ..	12
SCHUKO socket outlet	8 4195 ..	12
SCHUKO socket outlet	8 477 ..	13
Socket outlet with earthing pin	8 6185 ..	21
Socket outlet with earthing pin	8 6195 ..	21
Socket outlet with earthing pin FRANCE / BELGIUM	9 6195 ..	21
Sealing for IP 44 applications	818 53	56

DESIGN	ORDER NO.	PU
black matt	8 1828 75	200
brown matt	9 1828 71	10
grey glossy	9 1828 77	10
polar white glossy	9 1828 79	10
black matt	9 1828 75	10



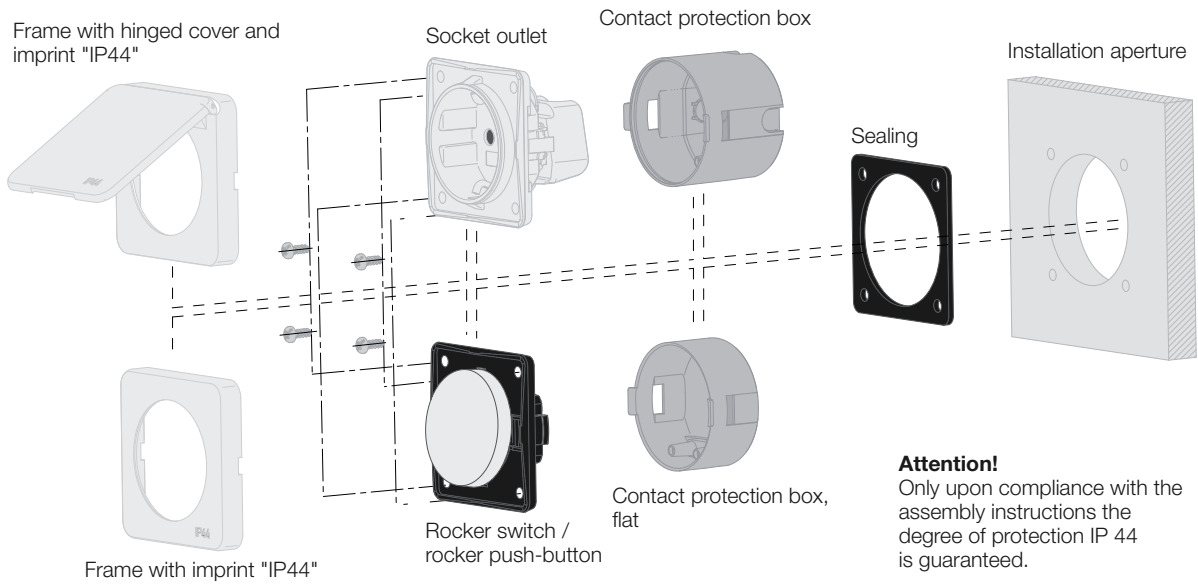
Sealing for IP 44 applications

- for SCHUKO socket outlets and socket outlets with earthing pin (frame with hinged cover IP 44 and contact protection box required!)
- for rocker switch/rocker push-button (frame IP 44 and contact protection box required!)

SUITABLE FOR	ORDER NO.	PAGE
SCHUKO socket outlets		page 12
Socket outlets with earthing pin		page 21
Rocker switches		page 32
Rocker push-buttons		page 37
Frame with hinged cover and imprint "IP44"	8 1828 ..	55
Frame with imprint "IP44"	9 1827 ..	55

DESIGN	ORDER NO.	PU
black	818 53	200
black	918 53	10

Assembly instructions of IP44 covers



Attention!
Only upon compliance with the assembly instructions the degree of protection IP 44 is guaranteed.

INTEGRO
CLASSIC

Surface-mounted housings



Surface-mounted housing high

Dimensions (W x H x D) 59.5 x 59.5 x 41 mm

- with cable entry
- for mounting on combustible base surface
- to built-on installation of devices

SUITABLE FOR Wire and duct entry **ORDER NO.** 1813 .. **PAGE** 46

i 151

DESIGN	ORDER NO.	PU
without strain relief		
brown glossy	9 1151 01	10
grey glossy	9 1151 07	10
polar white glossy	9 1151 09	10
black glossy	9 1151 05	10



Surface-mounted housing flat

Dimensions (W x H x D) 59.5 x 59.5 x 16 mm

- for mounting on combustible base surface
- to built-on installation of switches and push-buttons

i 151

DESIGN	ORDER NO.	PU
without strain relief		
brown glossy	9 1152 21	10
grey glossy	9 1152 27	10
polar white glossy	9 1152 29	10
black glossy	9 1152 25	10
with 1 strain relief		
polar white glossy	8 1152 59	200
dummy-color	99 9999 99 93	
polar white glossy	9 1152 59	10
black glossy	9 1152 55	10
with 2 Strain reliefs		
polar white glossy	9 1152 69	10
black glossy	9 1152 65	10



Surface-mounted spacer ring

Dimensions (W x H x D) 59.5 x 59.5 x 10 mm

- for the reduction of the installation depth of the devices and surf.-mount. of switches and push-b.

i 151

DESIGN	ORDER NO.	PU
brown matt	9 1825 11	10
grey matt	9 1825 06	10
polar white matt	9 1825 12	10
black matt	9 1825 15	10

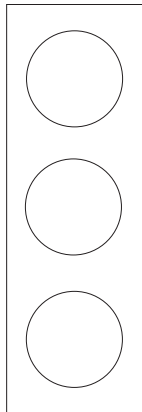
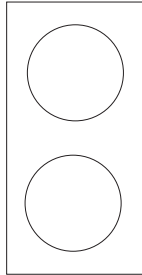
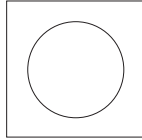


FRAMES	72
SURFACE-MOUNTED HOUSINGS	73

The purist for built-in installations. Consistently clear, angular and with an absolutely planar surface - modern and compact. And consequently the ideal component for aesthetic ambience. The granite-black, silk-matt lacquered finish guarantees a special operating experience. An innovative refined surface lacquer offers exceptional haptics for the connoisseur.

BERKER INTEGRO PURE
DIMENSIONS / PRODUCT EXAMPLES

Frame 1-3gang (W x H)
1gang: 59.5 x 59.5 mm
2gang: 59.5 x 119 mm
3gang: 59.5 x 178.5 mm



PRODUCT AND COLOUR EXAMPLES





FRAMES/COVERS/CENTRAL INSERTS

Plastic, glossy

Polar white similar to RAL 9010

Black similar to RAL 9005

Plastic, galvanised

Chrome glossy similar to RAL 9023

Chrome matt similar to RAL 9006

Plastic, lacquered

Granite black, silk matt similar to RAL 7026

Stainless steel similar to RAL 9022

Frames



Frame 1gang

i 151

DESIGN	ORDER NO.	PU
polar white glossy	9 1975 25 09	10
black glossy	9 1975 25 10	10
granite black, silk matt, lacquered	9 1975 25 45	10
chrome matt, galvanised	9 1975 25 28	10
chrome glossy, galvanised	9 1975 25 18	10
stainless steel matt, lacquered	9 1975 25 24	10



Frame 2gang

■ for vertical and horizontal mounting

i 151

DESIGN	ORDER NO.	PU
polar white glossy	9 1976 25 09	2
black glossy	9 1976 25 10	2
granite black, silk matt, lacquered	9 1976 25 45	2
chrome matt, galvanised	9 1976 25 28	2
chrome glossy, galvanised	9 1976 25 18	2
stainless steel matt, lacquered	9 1976 25 24	2



Frame 3gang

■ for vertical and horizontal mounting

i 151

DESIGN	ORDER NO.	PU
polar white glossy	9 1978 25 09	2
black glossy	9 1978 25 10	2
granite black, silk matt, lacquered	9 1978 25 45	2
chrome matt, galvanised	9 1978 25 28	2
chrome glossy, galvanised	9 1978 25 18	2
stainless steel matt, lacquered	9 1978 25 24	2

Frames with hinged cover



Frame with hinged cover

■ for covering of socket outlets

i 151

DESIGN	ORDER NO.	PU
polar white glossy	9 1828 25 09	10
black glossy	9 1828 25 10	10
granite black, silk matt, lacquered	9 1828 25 45	10
chrome matt, galvanised	9 1828 25 28	10
chrome glossy, galvanised	9 1828 25 18	10
stainless steel matt, lacquered	9 1828 25 24	10

Surface-mounted housings



Surface-mounted housing high

Dimensions (W x H x D) 59.5 x 59.5 x 41 mm

- with cable entry
- for mounting on combustible base surface
- to built-on installation of devices

SUITABLE FOR
Wire and duct entry

ORDER NO.
181 ..

PAGE
46

i 151

DESIGN	ORDER NO.	PU
without strain relief		
polar white glossy	9 1151 25 09	10
black glossy	9 1151 25 10	10
with strain relief		
polar white glossy	9 1151 25 19	10
black glossy	9 1151 25 20	10



Surface-mounted housing flat

Dimensions (W x H x D) 59.5 x 59.5 x 16 mm

- for mounting on combustible base surface
- to built-on installation of switches and push-buttons

i 151

DESIGN	ORDER NO.	PU
without strain relief		
polar white glossy	9 1152 25 29	10
with 1 strain relief		
polar white glossy	9 1152 25 59	10



with 2 Strain reliefs		
polar white glossy	9 1152 25 69	10



Surface-mounted spacer ring

Dimensions (W x H x D) 59.5 x 59.5 x 10 mm

- for the reduction of the installation depth of the devices and surface-mounting of switches and push-buttons

i 151

DESIGN	ORDER NO.	PU
polar white glossy	9 1825 25 12	10
black glossy	9 1825 25 10	10
chrome matt, lacquered	9 1825 25 68	10
stainless steel matt, lacquered	9 1825 25 24	10



SCHUKO SOCKET OUTLETS	78 - 79
SOCKET OUTLETS WITH EARTHING PIN	79
SWITCHES	80
FRAMES	80 - 81

This series can be used anywhere where extremely shallow installation depths and minimal dimensions are important. The timeless design allows you to integrate the Berker TWIN into any modern ambience.

- Integrated into the planning of furniture, especially bathroom furniture and facilities
- Contemporary, functional design
- Available surfaces: polar white, black and chrome
- Decor rings offer you the option of integrating articles from the Integro range into the Twin Design

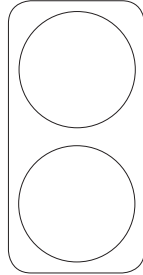
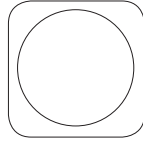
BERKER TWIN

DIMENSIONS / PRODUCT EXAMPLES

Frames 1gang and 2gang (W x H)

1gang: 59.5 x 59.5 mm

2gang: 59.5 x 119 mm



PRODUCT AND COLOUR EXAMPLES





TWIN

SURFACES/FRAMES/INSERTS

Plastic, glossy

Black similar to RAL 9005

Polar white similar to RAL 9010

Plastic, lacquered

Chrome matt, similar to RAL 9006

Plastic, galvanised

Chrome matt, similar to RAL 9006

Chrome glossy similar to RAL 9023



SCHUKO socket outlets



SCHUKO socket outlet

- screw terminals



Rated voltage 250 V~
Rated current 16 A

Suitable for all Berker Integro contact protection boxes
Ø 45 mm (except the flat design) and Ø 49 mm.
Connection terminals according to IEC 60884-1

SUITABLE FOR	ORDER NO.	PAGE
Contact protection box Ø 45 mm	9 1820 ..	43
Contact protection box Ø 49 mm	918 8 ..	44
Contact protection box 2gang	9 191 ..	44
Contact protection box 3gang	919 33	45

DESIGN	ORDER NO.	PU
polar white glossy	8 4196 09	200
black glossy	8 4196 05	200



polar white glossy	9 4196 09	10
black glossy	9 4196 05	10



SCHUKO socket outlet

- enhanced contact protection
- screw terminals



Rated voltage 250 V~
Rated current 16 A

Suitable for all Berker Integro contact protection boxes
Ø 45 mm (except the flat design) and Ø 49 mm.
Connection terminals according to IEC 60884-1
Enhanced contact protection (child protection) according
to IEC 60884-1

SUITABLE FOR	ORDER NO.	PAGE
Contact protection box Ø 45 mm	9 1820 ..	43
Contact protection box Ø 49 mm	918 8 ..	44
Contact protection box 2gang	9 191 ..	44
Contact protection box 3gang	919 33	45

DESIGN	ORDER NO.	PU
polar white glossy	9 4198 09	10
black glossy	9 4198 05	10



SCHUKO socket outlet with hinged cover

- screw terminals



Rated voltage 250 V~
Rated current 16 A

Suitable for all Berker Integro contact protection boxes
Ø 45 mm (except the flat design) and Ø 49 mm.
Connection terminals according to IEC 60884-1

■ when opening hinged cover, it can be arrested in end position

SUITABLE FOR	ORDER NO.	PAGE
Contact protection box Ø 45 mm	9 1820 ..	43
Contact protection box Ø 49 mm	918 8 ..	44
Contact protection box 2gang	9 191 ..	44
Contact protection box 3gang	919 33	45

DESIGN	ORDER NO.	PU
polar white glossy	9 4197 09	10
black glossy	9 4197 05	10
black glossy, hinged cover in chrome matt, galvanised	9 4197 28	10





SCHUKO socket outlet with hinged cover

- enhanced contact protection
- screw terminals



Rated voltage 250 V~
Rated current 16 A

Suitable for all Berker Integro contact protection boxes Ø 45 mm (except the flat design) and Ø 49 mm.
Connection terminals according to IEC 60884-1
Enhanced contact protection (child protection) according to IEC 60884-1

- when opening hinged cover, it can be arrested in end position

SUITABLE FOR	ORDER NO.	PAGE
Contact protection box Ø 45 mm	9 1820 ..	43
Contact protection box Ø 49 mm	918 8 ..	44
Contact protection box 2gang	9 191 ..	44
Contact protection box 3gang	919 33	45

DESIGN	ORDER NO.	PU
polar white glossy	9 4199 09	10
black glossy	9 4199 05	10
black glossy, hinged cover in chrome glossy, galvanised	9 4199 18	10
black glossy, hinged cover in chrome matt, galvanised	9 4199 28	10



Socket outlets with earthing pin



Socket outlet with earthing pin

- enhanced contact protection
- screw terminals



Rated voltage 250 V~
Rated current 16 A

Suitable for all Berker Integro contact protection boxes Ø 45 mm (except the flat design) and Ø 49 mm.
Connection terminals according to IEC 60884-1
Enhanced contact protection (child protection) according to IEC 60884-1

- 2pole + earth

SUITABLE FOR	ORDER NO.	PAGE
Contact protection box Ø 45 mm	9 1820 ..	43
Contact protection box Ø 49 mm	918 8 ..	44
Contact protection box 2gang	9 191 ..	44
Contact protection box 3gang	919 33	45

DESIGN	ORDER NO.	PU
polar white glossy	9 6198 09	10
black glossy	9 6198 05	10



Socket outlet with earthing pin and hinged cover

- enhanced contact protection
- screw terminals



Rated voltage 250 V~
Rated current 16 A

Suitable for all Berker Integro contact protection boxes Ø 45 mm (except the flat design) and Ø 49 mm.
Connection terminals according to IEC 60884-1
Enhanced contact protection (child protection) according to IEC 60884-1

- when opening hinged cover, it can be arrested in end position
- 2pole + earth

SUITABLE FOR	ORDER NO.	PAGE
Contact protection box Ø 45 mm	9 1820 ..	43
Contact protection box Ø 49 mm	918 8 ..	44
Contact protection box 2gang	9 191 ..	44
Contact protection box 3gang	919 33	45

DESIGN	ORDER NO.	PU
black glossy	9 6199 05	10
black glossy, hinged cover in chrome glossy, galvanised	9 6199 18	10
black glossy, hinged cover in chrome matt, galvanised	9 6199 28	10



Switches



On/off switch

Rated voltage 250 V~
Switching current 16 AX

■ with screw terminals

Suitable for all Berker Integro contact protection boxes Ø 45 mm and Ø 49 mm.

SUITABLE FOR	ORDER NO.	PAGE
Contact protection box Ø 45 mm, flat	9 1820 0 ..	43
Contact protection box Ø 45 mm	918 20 ..	43
Contact protection box Ø 49 mm	918 8 ..	44
Contact protection box 2gang	9 191 ..	44
Contact protection box 3gang	919 33	45
optional		
Frame 1gang, with 19 mm edge	9 1943 ..	81
Frame 2gang, with 19 mm edge	9 1944 0 ..	81

DESIGN	ORDER NO.	PU
polar white glossy	8 3681 09	200
black glossy	8 3681 05	200
polar white glossy	9 3681 09	10
black glossy	9 3681 05	10
chrome glossy, galvanised	9 3681 18	10
chrome matt, lacquered	9 3681 68	10



Change-over switch

Rated voltage 250 V~
Switching current 16 AX

■ with screw terminals

Suitable for all Berker Integro contact protection boxes Ø 45 mm and Ø 49 mm.

SUITABLE FOR	ORDER NO.	PAGE
Contact protection box Ø 45 mm, flat	9 1820 0 ..	43
Contact protection box Ø 45 mm	918 20 ..	43
Contact protection box Ø 49 mm	918 8 ..	44
Contact protection box 2gang	9 191 ..	44
Contact protection box 3gang	919 33	45
optional		
Frame 1gang, with 19 mm edge	9 1943 ..	81
Frame 2gang, with 19 mm edge	9 1944 0 ..	81

DESIGN	ORDER NO.	PU
polar white glossy	9 3686 09	10
black glossy	9 3686 05	10
chrome glossy, galvanised	9 3686 18	10
chrome matt, galvanised	9 3686 28	10



On/off switch 2pole with imprint "0"

Rated voltage 250 V~
Switching current 16 AX

■ with screw terminals

Suitable for all Berker Integro contact protection boxes Ø 45 mm and Ø 49 mm.

For switching of 16 A socket outlets, for example.

SUITABLE FOR	ORDER NO.	PAGE
Contact protection box Ø 45 mm, flat	9 1820 0 ..	43
Contact protection box Ø 45 mm	918 20 ..	43
Contact protection box Ø 49 mm	918 8 ..	44
Contact protection box 2gang	9 191 ..	44
Contact protection box 3gang	919 33	45
optional		
Frame 1gang, with 19 mm edge	9 1943 ..	81
Frame 2gang, with 19 mm edge	9 1944 0 ..	81

DESIGN	ORDER NO.	PU
polar white glossy	9 3682 09	10
black glossy	9 3682 05	10



Frames



Frame 1gang

DESIGN	ORDER NO.	PU
polar white glossy	9 1941 09	10
black glossy	9 1941 05	10
chrome glossy, galvanised	9 1941 18	10
chrome matt, galvanised	9 1941 28	10



Frame 2gang

- for vertical and horizontal mounting

DESIGN	ORDER NO.	PU
polar white glossy	9 1942 09	2
black glossy	9 1942 05	2
chrome glossy, galvanised	9 1942 18	2
chrome matt, galvanised	9 1942 28	2



Frame 1gang, with 19 mm edge

Reduction of installation depth by

10 mm

- for the reduction of the installation depth of the devices and surface-mounting of switches and push-buttons

Use only in conjunction with spacer 91936!

SUITABLE FOR	ORDER NO.	PAGE
Switches		page 80
Spacer ring for frames with 19 mm edge	919 36	81
On/off switch	8 3681 0 ..	80

DESIGN	ORDER NO.	PU
polar white glossy	9 1943 09	10
black glossy	9 1943 05	10
chrome glossy, galvanised	9 1943 18	10



Frame 2gang, with 19 mm edge

Reduction of installation depth by

10 mm

- for the reduction of the installation depth of the devices and surface-mounting of switches and push-buttons

Use only in conjunction with spacer 91936!

- for vertical and horizontal mounting

SUITABLE FOR	ORDER NO.	PAGE
Switches		page 80
Spacer ring for frames with 19 mm edge	919 36	81
On/off switch	8 3681 0 ..	80

DESIGN	ORDER NO.	PU
polar white glossy	9 1944 09	2
black glossy	9 1944 05	2



Spacer ring for frames with 19 mm edge

Reduction of installation depth by

10 mm

- for the reduction of the installation depth of the devices and surface-mounting of switches and push-buttons

SUITABLE FOR	ORDER NO.	PAGE
Frame 1gang, with 19 mm edge	9 1943 ..	81
Frame 2gang, with 19 mm edge	9 1944 0 ..	81

DESIGN	ORDER NO.	PU
black glossy	919 36	10



Adapter ring for TWIN/TWIN-Box

For use of all appliances in the Berker Integro programme

except:

- rotary dimmers and rotary potentiometers
- 230 V USB charging socket outlets
- Socket outlets with earthing contact BRITISH STANDARD
- Socket outlets with earthing contact USA/CANADA NEMA

DESIGN	ORDER NO.	PU
anthracite matt, lacquered	9 1969 06	10
grey glossy	9 1969 07	10
polar white glossy	9 1969 09	10
black glossy	9 1969 05	10
chrome glossy	9 1969 18	10



COMBINATIONS SOCKET OUTLETS	89 - 90
COMBINATIONS USB CHARGING SOCKET/ SOCKET OUTLET	91
COMBINATIONS SWITCH/SOCKET OUTLET	91 - 94
ACCESSORIES	94 - 95

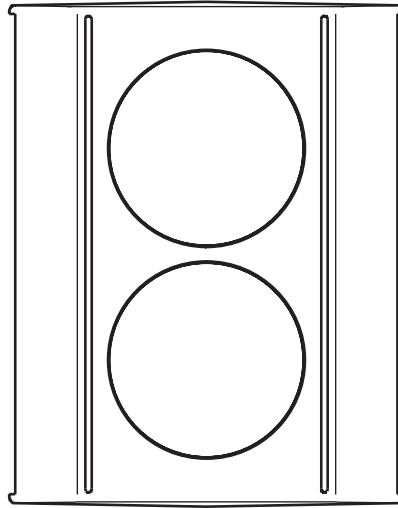
Corners present a special challenge with each electrical installation. Normal switches and sockets cannot just be mounted here - as often such corners offer the ideal locations for easily-reachable control-sections or sockets, e.g. in bathroom furniture or seat corners of leisure vehicles.

The Berker TWIN-Box means that corner solutions are no longer a problem. The TWIN-Box allows quick installations in any corner. This means that unused space can often be used to the optimum or that the TWIN-Box can be used as an additional design element.

A creative idea, which stands out particularly with its design. The TWIN-Box is designed as a 2-gang combination. The entire range of functional BERKER INTEGRO module inserts is available for equipping the TWIN-Box. The easily-reachable cable outlet with strain relief on the rear side, as well as the supplied fastening material ensure quick mounting. The TWIN-Box can be mounted in both a horizontal and a vertical direction.

BERKER TWIN-BOX
DIMENSIONS / PRODUCT EXAMPLES

For dimensions and further technical data, please refer to **i 152**



PRODUCT EXAMPLES





COMBINATIONS/EMPTY HOUSING/ADAPTER RINGS

Plastic, glossy

Polar white	similar to RAL 9010
Grey	similar to RAL 7038
Black	similar to RAL 9005

Plastic, lacquered

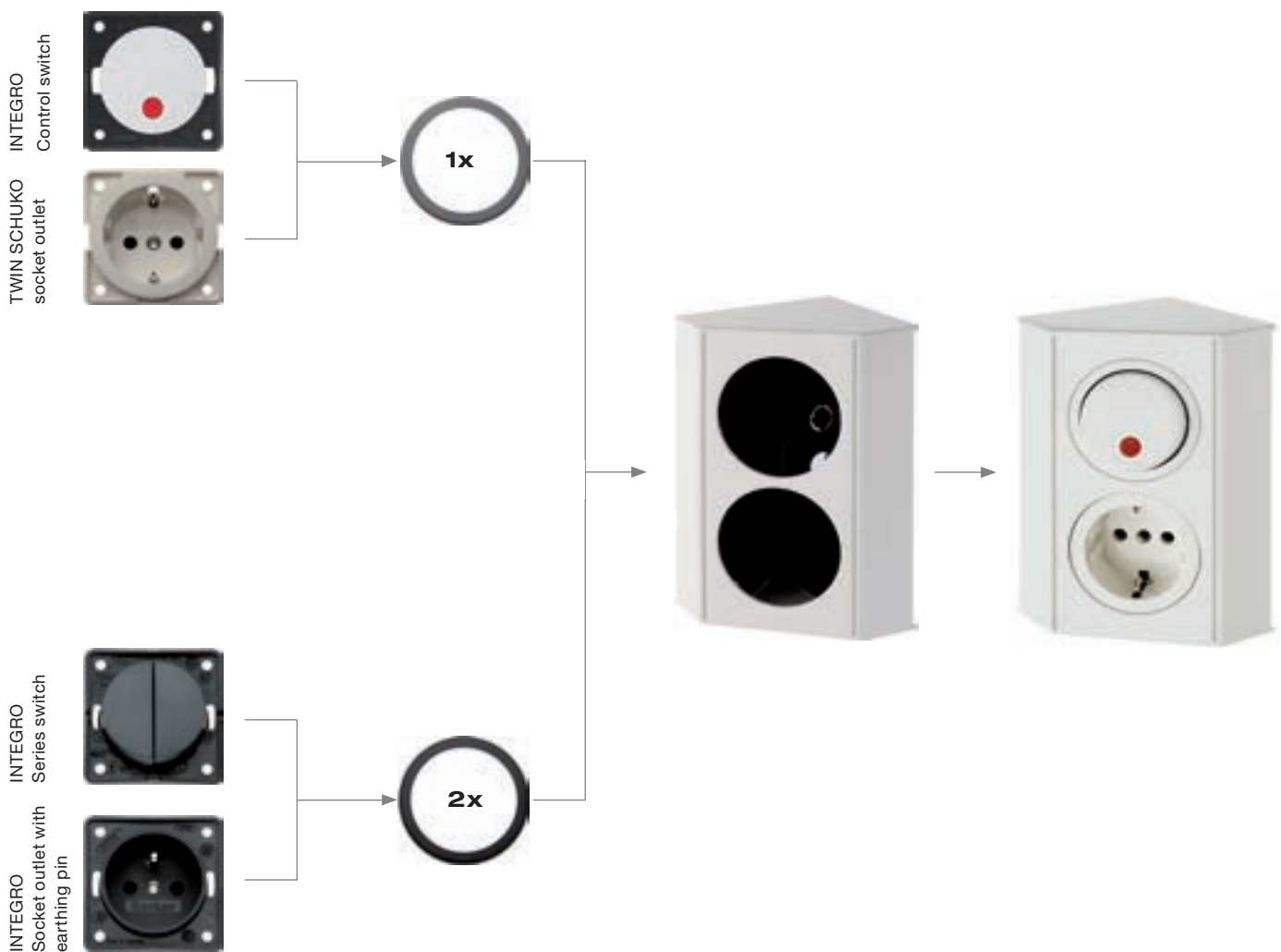
Anthracite	similar to RAL 7021
Chrome matt	similar to RAL 9006

Plastic, galvanised

Chrome matt	similar to RAL 90066
-------------	----------------------

Berker TWIN-Box can be individually combined. The large selection of matching INTEGRO module inserts offers a wealth of combination options. Simply install two INTEGRO inserts, each with an adapter ring, in the desired colour (order no. 9 1969..) in an empty housing for TWIN-Box (order no. 1948 9..). The scope of delivery of the housing contains flat-headed screws, size M3, for rear-side insert fastening and a strain relief.

2 module inserts + 2 adapter rings + Empty housing for TWIN-Box = Complete product ¹



Additional basic variants module inserts:

- international socket outlets
- rocker push-buttons

i Only combine either mains voltage or low voltage appliances in a TWIN-Box.

¹Complete product only shown as an example

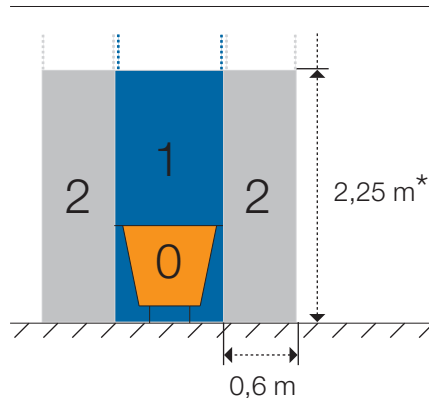
ELECTRICAL RESOURCES IN ROOMS WITH BATHTUBS OR SHOWERS

Spaces in apartments or hotel rooms with a bathtub or shower require special safety measures during the installation and use of electrical resources (e.g. switches, socket outlets). Although not designated as wet rooms, areas near bathtubs and showers represent a greater potential for danger.

To prevent the risk of an electric shock, three areas with different protection requirements are specified:

AREAS WITH BATHTUBS

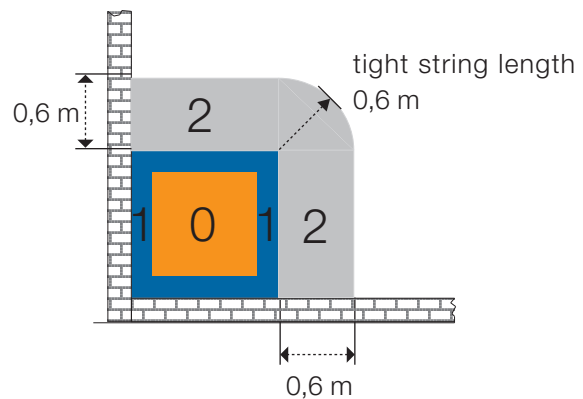
- AREA 0
- AREA 1
- AREA 2



* Areas 1 and 2 expanded upwards to the highest water outlet, if position above 2.25 m

AREAS WITH SHOWERS

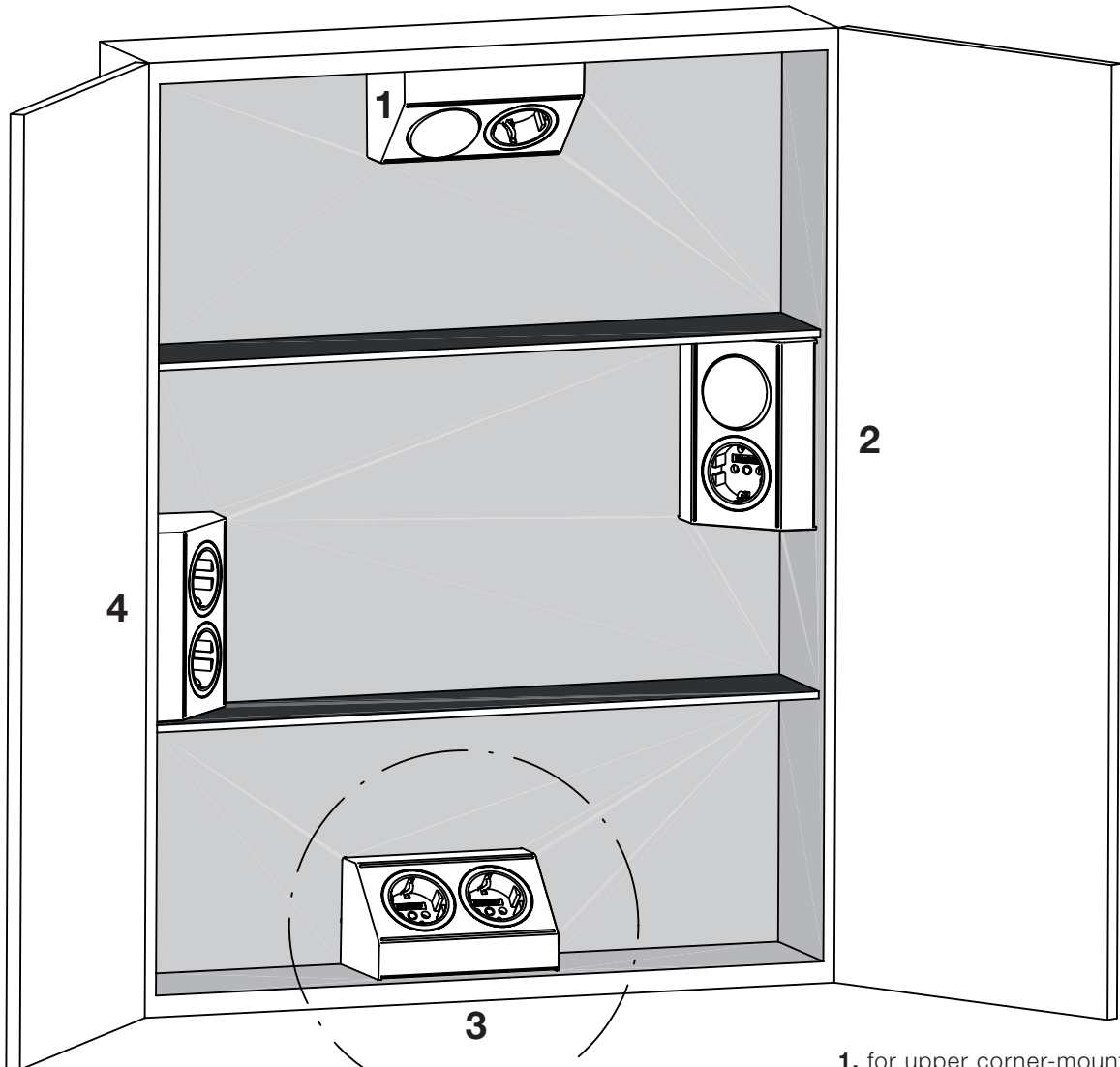
- AREA 0
- AREA 1
- AREA 2



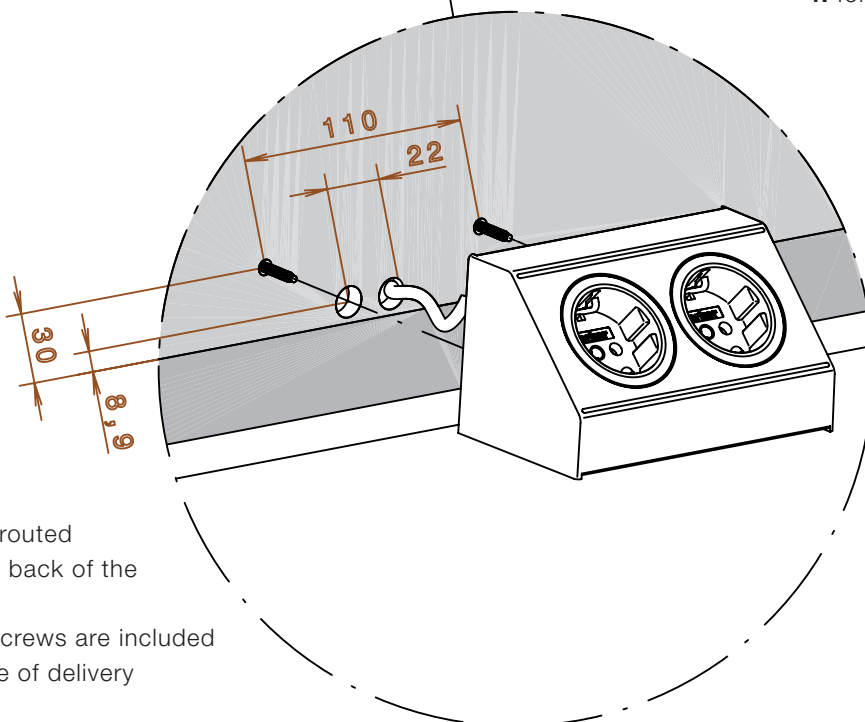
No 230 V sockets may be installed in any of the three areas.

Outside the areas, the installation of 230 V resources (e.g. mounted in a Berker TWIN-Box) is permitted, providing that the corresponding circuit is secured via RCD (error current safety device with a rated different current $I_{\Delta N} \leq 30 \text{ mA}$). No additional water protection is required as with, for example, devices with degree of protection IP44. In order to prevent the ingress of water into socket outlets and switches, we recommend using IP44 products outside the three areas.

i The exact limits of the areas differ according to the country of use. Therefore, please refer to the current country-specific standards for the applicable regulations.



- 1. for upper corner-mounting
- 2. for right corner-mounting
- 3. for lower corner-mounting
- 4. for left corner-mounting



- Cables are routed through the back of the furniture
- Fastening screws are included in the scope of delivery

COMBINATIONS SOCKET OUTLETS



TWIN-Box with SCHUKO socket outlets

- screw terminals



Rated voltage 250 V~
Rated current 16 A
Lead 3 x 1.5 mm²
Line length ≈ 1.5 m

- housings in polar white glossy
- socket outlets in polar white glossy
- pre-assembled, with 3-core cable
- welded wires
- with fixing screws
- for vertical corner-mounting
- for screw cover on backside

i 152

Connection terminals according to IEC 60884-1



DESIGN	ORDER NO.	PU
for left corner-mounting	1948 02	1



TWIN-Box with SCHUKO socket outlets

- screw terminals



Rated voltage 250 V~
Rated current 16 A
Lead 3 x 1.5 mm²
Line length ≈ 1.5 m

- housing in chrome matt, lacquered
- sockets in black glossy
- pre-assembled, with 3-core cable
- welded wires
- with fixing screws
- for vertical corner-mounting
- for screw cover on backside

i 152

Connection terminals according to IEC 60884-1



DESIGN	ORDER NO.	PU
for right corner-mounting	1948 18	1



TWIN-Box with SCHUKO socket outlets

- screw terminals



Rated voltage 250 V~
Rated current 16 A
Lead 3 x 1.5 mm²
Line length ≈ 1.5 m

- housing in chrome matt, lacquered
- sockets in black glossy
- pre-assembled, with 3-core cable
- welded wires
- with fixing screws
- for horizontal corner-mounting
- for screw cover on backside

i 152

Connection terminals according to IEC 60884-1



DESIGN	ORDER NO.	PU
for lower corner-mounting	1948 30	1



TWIN-Box with SCHUKO socket outlets

- screw terminals



Rated voltage 250 V~
Rated current 16 A
Lead 3 x 1.5 mm²
Line length ≈ 1 m

- housing in chrome matt, lacquered
- sockets in black glossy
- pre-assembled, with 3-core cable
- welded wires
- with Wieland plug GST18i3
- with fixing screws
- for horizontal corner-mounting
- for screw cover on backside

i 152

Connection terminals according to IEC 60884-1



DESIGN	ORDER NO.	PU
for lower corner-mounting	1948 21	24

TWIN-BOX



TWIN-box with socket outlets with earthing pin

- enhanced contact protection
- screw terminals



Rated voltage 250 V~
 Rated current 16 A
 Lead 3 x 2.5 mm²
 Line length ≈ 1.5 m

Connection terminals according to IEC 60884-1
 Enhanced contact protection (child protection) according to IEC 60884-1

- housing in chrome matt, lacquered
- sockets in black glossy
- pre-assembled, with 3-core cable
- welded wires
- with fixing screws
- for vertical corner-mounting
- for screw cover on backside

i 152

DESIGN	ORDER NO.	PU
for left corner-mounting	1948 25	24



TWIN-box with socket outlets with earthing pin

- enhanced contact protection
- screw terminals



Rated voltage 250 V~
 Rated current 16 A
 Lead 3 x 2.5 mm²
 Line length ≈ 1.5 m

Connection terminals according to IEC 60884-1
 Enhanced contact protection (child protection) according to IEC 60884-1

- housing in chrome matt, lacquered
- sockets in black glossy
- pre-assembled, with 3-core cable
- welded wires
- with fixing screws
- for vertical corner-mounting
- for screw cover on backside

i 152

DESIGN	ORDER NO.	PU
for right corner-mounting	1948 19	24



TWIN-box with socket outlets with earthing pin

- enhanced contact protection
- screw terminals



Rated voltage 250 V~
 Rated current 16 A
 Lead 3 x 1.5 mm²
 Line length ≈ 1 m

Connection terminals according to IEC 60884-1
 Enhanced contact protection (child protection) according to IEC 60884-1

- housing in chrome matt, lacquered
- sockets in black glossy
- pre-assembled, with 3-core cable
- with Wieland plug GST18i3
- with fixing screws
- for horizontal corner-mounting
- for screw cover on backside

i 152



DESIGN	ORDER NO.	PU
for lower corner-mounting	1948 23	24

COMBINATIONS USB CHARGING SOCKET/SOCKET OUTLET



**TWIN-box with USB socket outlet/
socket outlet SCHUKO**

- screw terminals



Input voltage	100 ... 240 V~
Output voltage	5 V= (± 5 %)
Output current	max. 500 mA
Lead	3 x 1.5 mm ²
Line length	≈ 1.5 m
Rated voltage socket outlet	230 V~
Rated current socket outlet	16 A

- housing in chrome matt, lacquered
- socket outlets and adapter rings in anthracite, matt
- for charging mobile end devices via USB cable
- with 2 USB sockets type A
- pre-assembled, with 3-core cable
- welded wires
- for vertical corner-mounting
- for screw cover on backside
- with fixing screws

i 152

DESIGN	ORDER NO.	PU
for right corner-mounting	1948 29	1



**TWIN-box with USB socket outlet/socket outlet
with earthing pin**

- enhanced contact protection
- screw terminals



Input voltage	100 ... 240 V~
Output voltage	5 V= (± 5 %)
Output current	max. 500 mA
Lead	3 x 2.5 mm ²
Line length	≈ 1.5 m
Rated voltage socket outlet	230 V~
Rated current socket outlet	16 A

- housing in chrome matt, lacquered
- socket outlets and adapter rings in anthracite, matt
- for charging mobile end devices via USB cable
- with 2 USB sockets type A
- pre-assembled, with 3-core cable
- welded wires
- for vertical corner-mounting
- for screw cover on backside
- with fixing screws

i 152

DESIGN	ORDER NO.	PU
for right corner-mounting	1948 28	1

COMBINATIONS SWITCH/SOCKET OUTLET



**TWIN-box with on/off switch/
socket outlet SCHUKO**

- screw terminals



Rated voltage	250 V~
Rated current	16 A
Switching current	16 AX
Lead	3 x 1.5 mm ²
Light fitting cable	2 x 0.75 mm ²
Line length	≈ 1.5 m

- housings in polar white glossy
- socket outlets and switches in polar white glossy
- pre-assembled, with 3-core lead and 2-core light fitting wire
- welded wires
- with fixing screws
- for vertical corner-mounting
- for screw cover on backside

i 152

DESIGN	ORDER NO.	PU
for right corner-mounting	1948 08	1

TWIN-BOX



**TWIN-box with on/off switch/
socket outlet SCHUKO**

- screw terminals



Rated voltage	250 V~
Rated current	16 A
Switching current	16 AX
Lead	3 x 1.5 mm ²
Light fitting cable	2 x 0.75 mm ²
Line length	≈ 1.5 m

- housing in chrome matt, lacquered
- switches in chrome matt, lacquered
- socket outlet in black, glossy
- pre-assembled, with 3-core lead and 2-core light fitting wire
- welded wires
- with fixing screws
- for vertical corner-mounting
- for screw cover on backside

i 152



DESIGN
for right corner-mounting

ORDER NO.
1948 13

PU
1



**TWIN-box with on/off switch/
socket outlet SCHUKO**

- screw terminals



Rated voltage	250 V~
Rated current	16 A
Switching current	16 AX
Lead	3 x 1.5 mm ²
Light fitting cable	3 x 0.75 mm ²
Line length	≈ 1.5 m

- housing in chrome matt, lacquered
- switches in chrome matt, lacquered
- socket outlet in black, glossy
- confectioned, with 3-core lead and 3-core light fitting wire
- welded wires
- with fixing screws
- for vertical corner-mounting
- for screw cover on backside

i 152

DESIGN
for right corner-mounting

ORDER NO.
1948 17

PU
1



**TWIN-box with on/off switch/
socket outlet SCHUKO**

- screw terminals



Rated voltage	250 V~
Rated current	16 A
Switching current	16 AX
Lead	3 x 1.5 mm ²
Light fitting cable	3 x 1.5 mm ²
Line length	≈ 1.5 m

- housing in chrome matt, lacquered
- switches in chrome matt, lacquered
- socket outlet in black, glossy
- confectioned, with 3-core lead and 3-core light fitting wire
- welded wires
- with fixing screws
- for vertical corner-mounting
- for screw cover on backside

i 152

DESIGN
for right corner-mounting

ORDER NO.
1948 27

PU
24



**TWIN-box with on/off switch/
socket outlet SCHUKO**

- screw terminals



Rated voltage	250 V~
Rated current	16 A
Switching current	16 AX
Length lead	≈ 1 m
Lead	4 x 1.5 mm ²
Length light fitting cable	≈ 1.5 m
Light fitting cable	2 x 0.75 mm ²

- housings in grey glossy
- socket outlets and switches in black glossy
- pre-assembled, with 4-core lead (compacted cable ends) and 2-core cable with mini coupling for lamp
- with fixing screws
- for horizontal corner-mounting
- for screw cover on backside

i 152

DESIGN
for upper corner-mounting

ORDER NO.
1948 12

PU
1



**TWIN-box
with switchable socket outlet SCHUKO**

- screw terminals



Rated voltage	250 V~
Rated current	16 A
Switching current	16 AX
Lead	3 x 1.5 mm ²
Line length	≈ 1 m

- housing in chrome matt, lacquered
- switches in chrome matt, lacquered
- sockets in black glossy
- with rocker switch 2-pole for switching on/off the socket outlet
- with Wieland plug GST18i3
- with fixing screws
- pre-assembled, with 3-core cable
- for horizontal corner-mounting
- for screw cover on backside

i 152

DESIGN	ORDER NO.	PU
for lower corner-mounting	1948 22	24



**TWIN-Box
with series switch/socket outlet SCHUKO**

- screw terminals



Rated voltage	250 V~
Rated current	16 A
Switching current	16 AX
Lead	3 x 1.5 mm ²
Light fitting cable	2 x 1.5 mm ²
Line length	≈ 1.5 m

- housings in polar white glossy
- socket outlets and switches in polar white glossy
- pre-assembled, with 3-core lead and 2-core light fitting wire
- welded wires
- with fixing screws
- for vertical corner-mounting
- for screw cover on backside

i 152

DESIGN	ORDER NO.	PU
for right corner-mounting	1948 14	1



**TWIN-box with on/off switch/
socket outlet with earthing pin**

- enhanced contact protection
- screw terminals



Rated voltage	250 V~
Rated current	16 A
Switching current	16 AX
Lead	3 x 1.5 mm ²
Light fitting cable	2 x 0.75 mm ²
Line length	≈ 1.5 m

- housing in chrome matt, lacquered
- switches in chrome matt, lacquered
- socket outlet in black, glossy
- pre-assembled, with 3-core lead and 2-core light fitting wire
- welded wires
- with fixing screws
- for vertical corner-mounting
- for screw cover on backside

i 152

DESIGN	ORDER NO.	PU
for right corner-mounting	1948 20	1



OFF switch/socket outlet with earthing pin

- enhanced contact protection
- screw terminals



Rated voltage	250 V~
Rated current	16 A
Switching current	16 AX
Lead	3 x 2.5 mm ²
Light fitting cable	3 x 1.5 mm ²
Line length	≈ 1.5 m

- housing in chrome matt, lacquered
- switches in chrome matt, lacquered
- socket outlet in black, glossy
- confectioned, with 3-core lead and 3-core light fitting wire
- welded wires
- with fixing screws
- for vertical corner-mounting
- for screw cover on backside

i 152

DESIGN	ORDER NO.	PU
for right corner-mounting	1948 26	1



**TWIN-box with on/off switch/
socket outlet with earthing pin**

- enhanced contact protection
- screw terminals



Rated voltage	250 V~
Rated current	16 A
Switching current	16 AX
Lead	3 x 2.5 mm ²
Light fitting cable	3 x 2.5 mm ²
Line length	≈ 1.5 m

- housing in chrome matt, lacquered
- switches in chrome matt, lacquered
- socket outlet in black, glossy
- confectioned, with 3-core lead and 3-core light fitting wire
- welded wires
- with fixing screws
- for vertical corner-mounting
- for screw cover on backside

i 152

DESIGN	ORDER NO.	PU
for right corner-mounting	1948 16	1



**TWIN-box with switchable socket outlet
with earthing pin**

- enhanced contact protection
- screw terminals



Rated voltage	250 V~
Rated current	16 A
Switching current	16 AX
Lead	3 x 1.5 mm ²
Line length	≈ 1 m

- housing in chrome matt, lacquered
- switches in chrome matt, lacquered
- socket outlet in black, glossy
- with rocker switch 2-pole for switching on/off the socket outlet
- with Wieland plug GST18i3
- with fixing screws
- pre-assembled, with 3-core cable
- for horizontal corner-mounting
- for screw cover on backside

i 152

DESIGN	ORDER NO.	PU
for lower corner-mounting	1948 24	24

Accessories



Empty housing for TWIN/TWIN-Box

Appliance opening Ø 51.5 mm

Caution!
Only combine either mains voltage or low voltage appliances in a TWIN-Box.

- for vertical and horizontal mounting
- floor and rear wall in black
- with strain relief
- with fixing and mounting screws
- with 2 contact protection boxes for insulation protection

i 152

DESIGN	ORDER NO.	PU
anthracite, matt, lacquered	1948 93	1
grey glossy	1948 98	1
polar white glossy	1948 99	1
chrome matt, lacquered	1948 94	1
chrome matt, galvanised	1948 96	1



Adapter ring for TWIN/TWIN-Box

For use of all appliances in the Berker Integro programme except:

- rotary dimmers and rotary potentiometers
- 230 V USB charging socket outlets
- Socket outlets with earthing contact BRITISH STANDARD
- Socket outlets with earthing contact USA/CANADA NEMA

DESIGN	ORDER NO.	PU
anthracite matt, lacquered	9 1969 06	10
grey glossy	9 1969 07	10
polar white glossy	9 1969 09	10
black glossy	9 1969 05	10
chrome glossy	9 1969 18	10



INTEGRO BOX	
WITH SCHUKO SOCKET OUTLET	100
INSTALLATION SETS	100 - 101

Compact installation dimensions combined with various fastening options offer the user a diverse range of easy options to integrate the Berker Integro Box. Various combination options of frame versions from the „FLOW“ design range, in combination with the complete portfolio of Berker Integro inserts, offer a wide range of customised installation options.



Integro box with Schuko socket outlet and frame, polar white glossy



Integro box with Schuko socket outlet, hinged cover and on/off switch, polar white glossy



Integro box with Schuko socket outlet and frame, chrome matt, lacquered



Integro box with Schuko socket outlet, hinged cover and on/off switch, chrome matt, lacquered

INTEGRO BOX WITH SCHUKO SOCKET OUTLET



INTEGRO-box with SCHUKO socket outlet

Rated voltage	250 V~
Rated current	16 A
Line length	1 m
Lead	3 x 1.5 mm ²

- with SCHUKO socket outlet, pre-assembled with contact protection box
- confectioned, with 3-core cable with conductor sleeves
- rear wall in polar white

Frames/frames with hinged cover exclusively from Berker Integro programme have to be ordered separately to complete the article.

SUITABLE FOR	ORDER NO.	PAGE
Frame 1gang	8 1827 25 ..	52
Frame 1gang	9 1827 25 ..	52
Frame with hinged cover	8 1828 25 ..	54
Frame with hinged cover	9 1828 25 ..	54

i 153

DESIGN	ORDER NO.	PU
polar white glossy	1979 01 09	24
chrome matt, lacquered	1979 01 58	24



INTEGRO-box with SCHUKO socket outlet

- on/off switch



Rated voltage	250 V~
Rated current socket outlet	16 A
Rated current switch	2 A
Line length	1 m
Lead	3 x 1.5 mm ²
Light fitting cable	2 x 0.75 mm ²

- rear wall in polar white
- with SCHUKO socket outlet, pre-assembled with contact protection box
- with rocker switch for switching on/off a lamp
- with insulating plug
- pre-assembled, with 3-core lead and 2-core light fitting wire, each with conductor sleeves

Frames/frames with hinged cover exclusively from Berker Integro programme have to be ordered separately to complete the article.

SUITABLE FOR	ORDER NO.	PAGE
Frame 1gang	8 1827 25 ..	52
Frame 1gang	9 1827 25 ..	52
Frame with hinged cover	8 1828 25 ..	54
Frame with hinged cover	9 1828 25 ..	54

i 153

DESIGN	ORDER NO.	PU
polar white glossy	1979 11 09	24
chrome matt, lacquered	1979 11 58	24

INSTALLATION SETS



INTEGRO-box mounting set

Frames/frames with hinged cover exclusively from Berker Integro programme have to be ordered separately to complete the article.

- rear wall in polar white
- with contact protection box with double strain relief
- with fixing screws for socket outlet insert

SUITABLE FOR	ORDER NO.	PAGE
SCHUKO socket outlets		page 12
Socket outlets with earthing contact		page 17
Socket outlets with earthing pin		page 21
Socket outlets without earthing contact		page 22
Frame 1gang	8 1827 25 ..	52
Frame 1gang	9 1827 25 ..	52
Frame with hinged cover	8 1828 25 ..	54
Frame with hinged cover	9 1828 25 ..	54

i 153

DESIGN	ORDER NO.	PU
polar white glossy	1979 00 09	24
chrome matt, lacquered	1979 00 58	24



INTEGRO-box mounting set

- on/off switch



Rated voltage 250 V~
 Rated current switch 2 A
 Conductor cross-section (flexible), with wire end sleeve 0.5 ... 0.75 mm²

Caution!
 Contact protection is only guaranteed if the wire stripping length is 10 mm.

Frames/frames with hinged cover exclusively from Berker Integro programme have to be ordered separately to complete the article.

- with rocker switch for switching on/off a lamp
- rear wall in polar white
- with contact protection box with double strain relief
- with fixing screws for socket outlet insert
- with insulating plug
- switches with plug-in terminals

SUITABLE FOR

	ORDER NO.	PAGE
SCHUKO socket outlets		page 12
Socket outlets with earthing contact		page 17
Socket outlets with earthing pin		page 21
Socket outlets without earthing contact		page 22
Frame 1gang	8 1827 25 ..	52
Frame 1gang	9 1827 25 ..	52
Frame with hinged cover	8 1828 25 ..	54
Frame with hinged cover	9 1828 25 ..	54

i 153

DESIGN	ORDER NO.	PU
polar white glossy	1979 10 09	24
chrome matt, lacquered	1979 10 58	24

BERKER BUILT-IN SOCKET OUTLETS



B.
Berker Business Solutions

BUILT-IN SCHUKO SOCKET OUTLETS	106 - 112
BUILT-IN SOCKET OUTLETS WITH EARTHING PIN	112 - 113
BUILT-IN SOCKET OUTLETS WITHOUT EARTHING CONTACT	114

Laboratory furniture, mirror cabinets, tools, machines - frequently where a power connection is required there is no space remaining for a regular socket outlet. This is why our special built-in socket outlets are designed to be so compact. They satisfy the requirements of a future-oriented electrical installation, and they fit even where space is at a premium. Thanks to the installation-friendly „SNAP-IN“ fastening they can be effortlessly implemented even in difficult install situations.

- Particularly suitable for use in special furnishings
- Simple installation with standard tools
- Minimal installation depths, compact design
- Some equipped with a special mounting mechanism - „SNAP IN“ for different wall thicknesses
- Special applications, such as IP44 installation, possible

BUILT-IN SOCKET OUTLETS

OVERVIEW OF BUILT-IN SOCKET OUTLETS



BUILT-IN SOCKET OUTLETS	CENTRE PLATES		SUPPLEMENTARY FEATURES				CONNECTION	SPECIAL FASTENING			MORE INFO							
	Ø 50 mm round	50 x 50 mm	55.5 x 55.5 mm	Hinged cover 50 x 60 mm	Hinged cover 59.5 x 59.5 mm	Enhanced contact protection	Splash-protected - IP44	Imprint „IP44“	Base rotated 180°	Insert rotated 45°	screw terminal	plug-in terminals	Flat connection	via supporting ring ¹	via base	via supporting angle	Dimensional drawing page	Product description page

BUILT-IN SCHUKO SOCKET OUTLETS

with hinged cover			■							■						156	106
with hinged cover, imprint "IP44"			■				■	■		■						156	106
„SNAP IN“ 0.6 - 1.5 mm	■									■						156	107
		■ ²								■						156	107
„SNAP IN“ 1.3–2.2 mm			■				■			■						156	108
				■			■	■		■						157	108
„SNAP IN“ 2 mm	■									■						156	108
				■			■	■			■					157	109
	■						■				■					157	109
„SNAP IN“ 2.5 mm	■									■						156	110
„SNAP IN“ 3 mm	■									■						156	110
		■									■					157	110
„SNAP IN“ 4 mm	■									■						156	111
Special fastening type	■									■			■			157	111
		■								■				■		157	112
	■									■		■				158	112
											■					158	112

BUILT-IN SOCKET OUTLETS WITH EARTHING PIN

"SNAP IN" 0.6–1.5 mm	■						■			■						158	113
		■					■			■						158	113
"SNAP IN" 2.5 mm	■						■			■						158	113
"SNAP IN" 3 mm		■					■			■						158	114
Special fastenings	■						■			■		■				158	114

BUILT-IN SOCKET OUTLETS WITHOUT EARTHING CONTACT

„SNAP IN“ 3 mm		■					■			■						160	116
----------------	--	---	--	--	--	--	---	--	--	---	--	--	--	--	--	-----	-----

¹Without spreading claws

²Minimal insertion depth of 33.9 mm



SOCKET OUTLETS	CENTRE PLATES		SUPPLEMENTARY FEATURES				CON- NECTION	SPECIAL FASTENING										
	Ø 50 mm round	50 x 50 mm	55.5 x 55.5 mm	Hinged cover 50 x 60 mm	Hinged cover 59.5 x 59.5 mm	Enhanced contact protection	Splash-protected - IP44	Imprint "IP44"	Base rotated 180°	Insert rotated 45°	With control LED	screw terminal	plug-in terminals	via supporting ring	via base	via supporting angle	via centre plate	Product description ¹ page

SCHUKO SOCKET OUTLETS

„SNAP IN“ 1.0 mm	■					■					■							15
	■					■					■							15
„SNAP IN“ 1.8 mm	■					■					■							15
	■					■					■							16
	■					■					■							16
„SNAP IN“ 2 mm	■					■					■							17
„SNAP IN“ 2.8 mm	■					■					■							16

SOCKET OUTLETS WITH EARTHING CONTACT

"Switzerland", type 13	■										■							19
"Switzerland", type 23	■										■							20
"Italy"	■					■					■							19
"British Standard"	■					■					■							20
"Denmark"	■					■					■							19
"USA/CANADA" 15 A, 125 V	■										■							17
"USA/CANADA" 20 A, 250 V	■										■							18
"Australia", 10 A	■										■							18
"Australia", 15 A	■										■							18

SOCKET OUTLETS WITH EARTHING PIN

Fastening via centre plate	■										■							21
	■					■					■							21

SOCKET OUTLETS WITHOUT EARTHING CONTACT

"Netherlands"	■					■					■							22
"Euro-American standard"	■					■					■							22

¹Scale drawings and detailed information can be found in the Technical Appendix from page **i 149**

Built-in schuko socket outlets

Built-in SCHUKO socket outlets with hinged cover



Built-in SCHUKO socket outlet with hinged cover 50 x 60 mm

- screw terminals



Rated voltage 250 V~
Rated current 16 A
Insertion depth 31 mm

- contacts made of copper alloy
- duroplast base
- thermoplastic centre plate, glossy
- for 4-hole screw fitting

i 156

Not suitable for contact protection boxes (cavity walls).
Connection terminals according to IEC 60884-1



DESIGN	ORDER NO.	PU
connection from above		
polar white glossy	9 4296 19	10
connection from below		
grey glossy	9 4296 03	10
black glossy	9 4296 06	10
blue glossy	9 4296 05	10



Built-in SCHUKO socket outlet with hinged cover 50 x 60 mm, IP44

- screw terminals



Rated voltage 250 V~
Rated current 16 A
Insertion depth 31 mm

- with sealing
- contacts made of copper alloy
- duroplast base
- thermoplastic centre plate, glossy
- for 4-hole screw fitting
- connection from below

i 156

Not suitable for contact protection boxes (cavity walls).
Connection terminals according to IEC 60884-1



DESIGN	ORDER NO.	PU
blue	7 4296 35	10



Built-in SCHUKO socket outlet with hinged cover 50 x 60 mm, imprint "IP44"

- screw terminals



Rated voltage 250 V~
Rated current 16 A
Insertion depth 31 mm

- with sealing
- contacts made of copper alloy
- duroplast base
- thermoplastic centre plate, glossy
- for 4-hole screw fitting
- connection from below

i 156

Not suitable for contact protection boxes (cavity walls).
Connection terminals according to IEC 60884-1



DESIGN	ORDER NO.	PU
anthracite	8 4296 34	200
polar white glossy	8 4296 39	200
black glossy	8 4296 36	200
blue	8 4296 15	200

Built-in SCHUKO socket outlets "SNAP IN"



Built-in SCHUKO socket outlet with centre plate Ø 50 mm, SNAP IN 0.6 - 1.5 mm

- screw terminals



Rated voltage	250 V~
Rated current	16 A
Installation wall thickness	0.6 ... 1.5 mm
Insertion depth	38.9 mm

i 156

Not suitable for contact protection boxes (cavity walls).
Connection terminals according to IEC 60884-1

- centre plate with twist protection
- contacts made of copper alloy
- duroplast base
- thermoplastic centre plate, matt
- for catch fixing

DESIGN	ORDER NO.	PU
grey matt	4189 08	200
light grey matt	4189 06	200
white matt	4189 02	200
polar white matt	4189 09	200
black matt	4189 05	200



Built-in SCHUKO socket outlet with centre plate 50 x 50 mm, SNAP IN 0.6 - 1.5 mm

- screw terminals



Rated voltage	250 V~
Rated current	16 A
Installation wall thickness	0.6 ... 1.5 mm

i 156

Not suitable for contact protection boxes (cavity walls).
Connection terminals according to IEC 60884-1

- centre plate with twist protection
- contacts made of copper alloy
- duroplast base
- thermoplastic centre plate, matt
- for catch fixing

DESIGN	ORDER NO.	PU
Installation depth 38.9 mm		
white matt	4181 02	200
polar white matt	4181 09	200
Installation depth 33.9 mm		
white matt	4183 02	200
black matt	4183 05	200



Built-in SCHUKO socket outlet 45°, SNAP IN 1.3 - 2.2 mm

- enhanced contact protection

- screw terminals



Rated voltage	250 V~
Rated current	16 A
Installation wall thickness	1.3 ... 2.2 mm
Insertion depth	32.3 mm

i 156

Not suitable for contact protection boxes (cavity walls).
Connection terminals according to IEC 60884-1
Enhanced contact protection (child protection) according to IEC 60884-1

- for diagonal installation
- contacts made of copper alloy
- duroplast base
- thermoplastic centre plate, matt
- for catch fixing

DESIGN	ORDER NO.	PU
grey matt	8 4130 06	200





Built-in SCHUKO socket outlet 45° with hinged cover, SNAP IN 1.3 - 2.2 mm, imprint "IP 44"

- screw terminals



Rated voltage	250 V~
Rated current	16 A
Installation wall thickness	1.3 ... 2.2 mm
Insertion depth	32.5 mm

- insert grey, matt
- with sealing
- for diagonal installation
- for catch fixing

i 157

Not suitable for contact protection boxes (cavity walls).
Connection terminals according to IEC 60884-1

DESIGN	ORDER NO.	PU
grey glossy	8 4121 97	200
red glossy	8 4121 86	200
green glossy	8 4121 90	200



Built-in SCHUKO socket outlet with centre plate Ø 50 mm, SNAP IN 2 mm

- screw terminals



Rated voltage	250 V~
Rated current	16 A
Installation wall thickness	2 mm
Insertion depth	38.9 mm

- centre plate with twist protection
- contacts made of copper alloy
- duroplast base
- thermoplastic centre plate, matt
- for catch fixing

i 156

Not suitable for contact protection boxes (cavity walls).
Connection terminals according to IEC 60884-1

DESIGN	ORDER NO.	PU
light grey matt	4188 58	200
black matt	8 4188 55	200



Built-in SCHUKO socket outlet with centre plate Ø 50 mm, SNAP IN 2 mm

- plug-in terminals



Rated voltage	250 V~
Rated current	16 A
Installation wall thickness	2 mm
Insertion depth	39.3 mm

- centre plate with twist protection
- contacts made of copper alloy
- thermoplastic base
- thermoplastic centre plate, matt
- for catch fixing

i 157

Not suitable for contact protection boxes (cavity walls).
Earth bracket clamping forces according to TNO requirements.
Connection terminals according to IEC 60884-1

DESIGN	ORDER NO.	PU
light grey matt	4788 26	200
polar white matt	4788 29	10





Built-in SCHUKO socket outlet with centre plate Ø 50 mm, SNAP IN 2 mm

- enhanced contact protection
- plug-in terminals



Rated voltage	250 V~
Rated current	16 A
Installation wall thickness	2 mm
Insertion depth	39.3 mm

i 157

Not suitable for contact protection boxes (cavity walls).
Earth bracket clamping forces according to TNO requirements.
Connection terminals according to IEC 60884-1
Enhanced contact protection (child protection) according to IEC 60884-1

- centre plate with twist protection
- contacts made of copper alloy
- thermoplastic base
- thermoplastic centre plate, matt
- for catch fixing



DESIGN	ORDER NO.	PU
polar white matt	4788 69	10



Built-in SCHUKO socket outlet with hinged cover 59.5 x 59.5 mm, SNAP IN 2 mm, imprint "IP44"

- plug-in terminals



Rated voltage	250 V~
Rated current	16 A
Installation wall thickness	2 mm
Insertion depth	33.1 mm

i 157

Not suitable for contact protection boxes (cavity walls).
Earth bracket clamping forces according to TNO requirements.
Connection terminals according to IEC 60884-1

- with distance sealing ring
- hinged cover can be opened to 135°
- centre plate with twist protection
- contacts made of copper alloy
- ABS hinged cover, matt, abrasion and scratch-proof
- thermoplastic base
- polycarbonate centre plate, matt
- for catch fixing



DESIGN	ORDER NO.	PU
black matt	8 4296 46	180



Built-in SCHUKO socket outlet with centre plate Ø 50 mm, SNAP IN 2.5 mm

- screw terminals



Rated voltage	250 V~
Rated current	16 A
Installation wall thickness	2.5 mm
Insertion depth	38.9 mm

i 156

Not suitable for contact protection boxes (cavity walls).
Connection terminals according to IEC 60884-1

- centre plate with twist protection
- contacts made of copper alloy
- duroplast base
- thermoplastic centre plate, matt
- for catch fixing



DESIGN	ORDER NO.	PU
light grey matt	4175 08	200
polar white matt	4175 09	200



Built-in SCHUKO socket outlet with centre plate Ø 50 mm, SNAP IN 3 mm

- screw terminals



Rated voltage	250 V~
Rated current	16 A
Installation wall thickness	3 mm
Insertion depth	38.9 mm

- centre plate with twist protection
- contacts made of copper alloy
- duroplast base
- thermoplastic centre plate, matt
- for catch fixing

i 156

Not suitable for contact protection boxes (cavity walls).
Connection terminals according to IEC 60884-1

DESIGN	ORDER NO.	PU
grey matt	4188 06	200
light grey matt	4188 08	200
white matt	4188 02	200
polar white matt	4188 09	200
black matt	4188 05	200



Built-in SCHUKO socket outlet with centre plate Ø 50 mm, SNAP IN 3 mm

- plug-in terminals



Rated voltage	250 V~
Rated current	16 A
Installation wall thickness	3 mm
Insertion depth	39.3 mm

- centre plate with twist protection
- contacts made of copper alloy
- thermoplastic base
- thermoplastic centre plate, matt
- for catch fixing

i 157

Not suitable for contact protection boxes (cavity walls).
Earth bracket clamping forces according to TNO requirements.
Connection terminals according to IEC 60884-1

DESIGN	ORDER NO.	PU
grey matt	4788 36	200
light grey matt	4788 16	200
polar white matt	4788 19	200



Built-in SCHUKO socket outlet with centre plate 50 x 50 mm, SNAP IN 3 mm

- screw terminals



Rated voltage	250 V~
Rated current	16 A
Installation wall thickness	3 mm
Insertion depth	38.9 mm

- centre plate with twist protection
- contacts made of copper alloy
- duroplast base
- thermoplastic centre plate, matt
- for catch fixing

i 156

Not suitable for contact protection boxes (cavity walls).
Connection terminals according to IEC 60884-1

DESIGN	ORDER NO.	PU
polar white matt	4190 09	200
black matt	4190 05	200





Built-in SCHUKO socket outlet with centre plate Ø 50 mm, SNAP IN 4 mm

- screw terminals



Rated voltage	250 V~
Rated current	16 A
Installation wall thickness	4 mm
Insertion depth	38.9 mm

i 156

Not suitable for contact protection boxes (cavity walls).
Connection terminals according to IEC 60884-1



DESIGN	ORDER NO.	PU
light grey matt	4177 08	200

Built-in SCHUKO socket outlets with special fastening



Built-in SCHUKO socket outlet with centre plate Ø 50 mm

- screw terminals



Rated voltage	250 V~
Rated current	16 A
Insertion depth	36.6 mm

i 157

Not suitable for contact protection boxes (cavity walls).
Connection terminals according to IEC 60884-1



DESIGN	ORDER NO.	PU
white	4180 37	10



Built-in SCHUKO socket outlet with support bracket, centre plate 50 x 50 mm

- screw terminals



Rated voltage	250 V~
Rated current	16 A
Insertion depth	36.6 mm

i 157

Not suitable for contact protection boxes (cavity walls).



DESIGN	ORDER NO.	PU
white	4180 31	10
black	4180 32	10



Built-in SCHUKO socket outlet with support ring, centre plate Ø 50 mm

- screw terminals



Rated voltage	250 V~
Rated current	16 A
Insertion depth	31.3 mm

i 158

Not suitable for contact protection boxes (cavity walls).
Connection terminals according to IEC 60884-1



DESIGN	ORDER NO.	PU
polar white matt	4180 69	200

BUILT-IN SOCKET OUTLETS

Built-in socket outlets with earthing pin



Built-in SCHUKO socket outlet with support ring, centre plate Ø 50 mm

- plug-in terminals



Rated voltage	250 V~
Rated current	16 A
Insertion depth	31.3 mm

- centre plate with twist protection
- contacts made of copper alloy
- duroplast base
- thermoplastic centre plate
- without spreader claws

i 158

Not suitable for contact protection boxes (cavity walls).
Connection terminals according to IEC 60884-1



DESIGN	ORDER NO.	PU
polar white matt	4880 69	200

Built-in socket outlets with earthing pin

Built-in socket outlets with earthing pin "SNAP IN"



Built-in socket outlet with earthing pin and centre plate, 50 mm, SNAP IN 0.6 - 1.5 mm

- enhanced contact protection
- screw terminals



Rated voltage	250 V~
Rated current	16 A
Installation wall thickness	0.6 ... 1.5 mm
Insertion depth	35.8 mm

- centre plate with twist protection
- 2pole + earth
- contacts made of copper alloy
- duroplast base
- thermoplastic centre plate, matt
- for catch fixing

i 158

Not suitable for contact protection boxes (cavity walls).
Enhanced contact protection (child protection) according to IEC 60884-1



DESIGN	ORDER NO.	PU
black matt	6741 94 05	200
polar white matt	6741 94 09	200



Built-in socket outlet with earthing pin and centre plate, 50 x 50 mm, SNAP IN 0.6 - 1.5 mm

- enhanced contact protection
- screw terminals



Rated voltage	250 V~
Rated current	16 A
Installation wall thickness	0.6 ... 1.5 mm
Insertion depth	33.8 mm

- centre plate with twist protection
- 2pole + earth
- contacts made of copper alloy
- duroplast base
- thermoplastic centre plate, matt
- for catch fixing

i 158

Not suitable for contact protection boxes (cavity walls).
Enhanced contact protection (child protection) according to IEC 60884-1



DESIGN	ORDER NO.	PU
black matt	6741 91 05	200



Built-in socket outlet with earthing pin and centre plate, 50 mm, SNAP IN 2.5 mm

- enhanced contact protection
- screw terminals



Rated voltage	250 V~
Rated current	16 A
Installation wall thickness	2.5 mm
Insertion depth	35.8 mm

i 158

Not suitable for contact protection boxes (cavity walls).
Enhanced contact protection (child protection) according to IEC 60884-1

- centre plate with twist protection
- 2pole + earth
- contacts made of copper alloy
- duroplast base
- thermoplastic centre plate, matt
- for catch fixing



DESIGN	ORDER NO.	PU
polar white matt	6741 28 09	200



Built-in socket outlet with earthing pin and centre plate, 50 x 50 mm, SNAP IN 3 mm

- enhanced contact protection
- screw terminals



Rated voltage	250 V~
Rated current	16 A
Installation wall thickness	3 mm
Insertion depth	33.8 mm

i 158

Not suitable for contact protection boxes (cavity walls).
Enhanced contact protection (child protection) according to IEC 60884-1

- centre plate with twist protection
- 2pole + earth
- contacts made of copper alloy
- duroplast base
- thermoplastic centre plate, matt
- for catch fixing



DESIGN	ORDER NO.	PU
polar white matt	6741 92 09	200

Built-in socket outlets with earthing pin and special fastening



Built-in socket outlet with earthing pin and supporting ring, centre plate Ø 50 mm

- enhanced contact protection
- screw-in lift terminals



Rated voltage	250 V~
Rated current	16 A
Insertion depth	31.3 mm

i 158

Enhanced contact protection (child protection) according to IEC 60884-1

- centre plate with twist protection
- 2pole + earth
- contacts made of copper alloy
- duroplast base
- duroplast centre plate, glossy



DESIGN	ORDER NO.	PU
polar white glossy	6763 79 10	100

BUILT-IN SOCKET OUTLETS

Built-in socket outlets without earthing contact

Built-in socket outlets without earthing contact

Built-in sockets without earthing contact "SNAP-IN"



**Built-in socket outlet without earthing contact,
with centre plate 50 x 50 mm, SNAP IN 3 mm**

- enhanced contact protection
- screw terminals



Rated voltage	250 V~
Rated current	16 A
Installation wall thickness	3 mm
Insertion depth	33.8 mm

- centre plate with twist protection
- 2pole + earth
- contacts made of copper alloy
- duroplast base
- thermoplastic centre plate, matt
- for catch fixing

i 158

Not suitable for contact protection boxes (cavity walls).
Enhanced contact protection (child protection) according
to IEC 60884-1



DESIGN
polar white matt

ORDER NO.
6141 93 09

PU
200



B.
Berker Business Solutions

RADIO TOUCH
FRAMES

121 - 122
122 - 123

Behind the clear display elements are capacitive buttons, which can be activated with the lightest of touches. The radio can be integrated simply and in an uncomplicated manner into the newly-planned or existing electrical installation, just like any other flush-mounted device.

Besides the power connection, the combination of radio and loudspeaker requires only a flush-mounted box for each device. Thanks to the high-quality surfaces, in lacquered stainless steel and polar white, the radio can be integrated perfectly into any Berker switch design. The perfect small-scale complement to the music system is a second loudspeaker for stereo playback.

BERKER RADIO TOUCH

- VHF reception
- 8 station memory
- Automatic and manual search function
- Time and date display
- Alarm and snooze function
- AUX input e. g. for MP3 players
- Scope of delivery: radio module and one loudspeaker
- Available in the colours polar white and stainless steel for all standard and surface ranges

ACCESSORIES

- Separate loudspeaker



PRODUCT EXAMPLES





FRAME/CENTRAL INSERTS

S.1/B.3/B.7

Plastic, glossy

White

similar to RAL 1013

Polar white

similar to RAL 9010

Plastic, matt

Anthracite

similar to RAL 7021

Polar white

similar to RAL 9010

Plastic, matt, lacquered

Aluminium

similar to RAL 9006

Stainless steel

similar to RAL 9022

Metal, Aluminium, natural anodised

Plastic, matt

Aluminium/anthracite

Anthracite similar to RAL 7021

Aluminium/polar white

Polar white similar to RAL 9010

Glass, glossy, printed on the back

Polar white similar to RAL 9010

Black similar to RAL 9005

Aluminium similar to RAL 9006

K.1/K.5

Plastic, glossy

Polar white

similar to RAL 9010

Plastic, painted matt

Anthracite

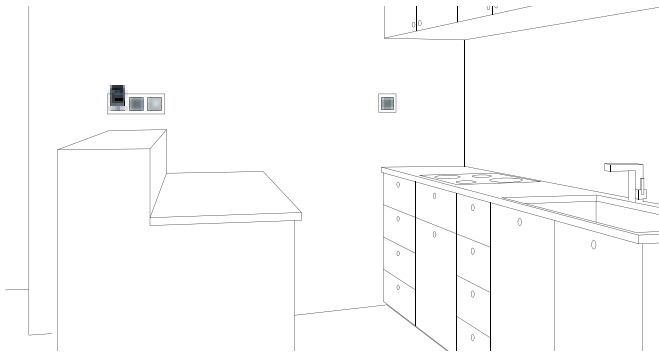
similar to RAL 7021

Stainless steel

similar to RAL 9022

Stainless steel, matt metal

KITCHEN



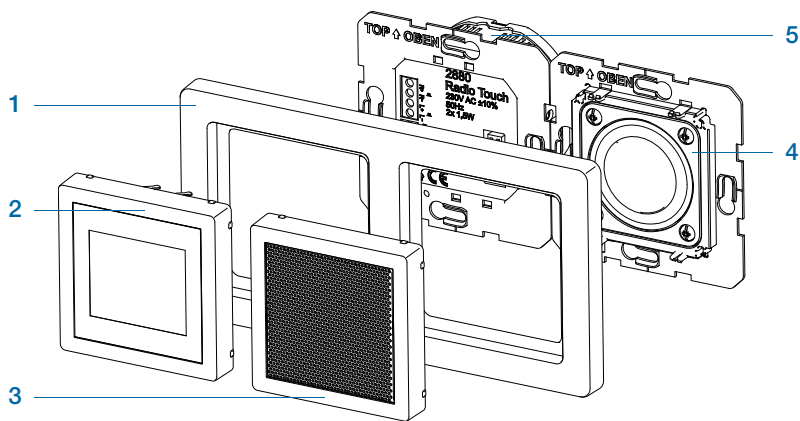
Don't just listen to the radio during breakfast but play your own compilations of music back from your smartphone or MP3 player.

BATHROOM



Open the door and the controller switches the radio on automatically. It is switched off again when there is no-one in the bathroom and the delay time has elapsed.

MOUNTING: BERKER RADIO TOUCH



- 1 Frame 2gang
- 2 Radio Touch cover
- 3 Centre plate for loudspeaker
- 4 Loudspeaker insert
- 5 Radio Touch insert

- Flush-mounting into wall box according to DIN 49073.
- The radio and loudspeaker should each be installed in a wall box.
- Only suitable for applications in interior areas.
- Select a mounting location as far away as possible from electronic devices, in order to guarantee the best possible reception.

Radio touch



Radio Touch
- loudspeaker



Frequency	50/60 Hz
Operating voltage	230 V~
Frequency range (radio reception)	87.5 ... 108 MHz
For loudspeakers	per channel 4 ... 8 Ω
Conductor cross-section	max. 2.5 mm ²
Conductor cross-section (loudspeakers)	max. 1.5 mm ²
Dimensions of display (W x H)	35 x 28 mm
Insertion depth	33 mm

- countdown
- volume control
- alarm clock with snooze alarm
- sleep timer
- operation via sensor areas of the touch display
- illuminated touch graphics display
- time and date display
- stereo FM radio with RDS display
- manual and automatic station search
- external audio input, e.g. for MP3 player or docking station
- extension unit input for separate on/off switching
- with one loudspeaker
- 8 station memory, non-volatile
- switch-on with last station
- single and combination installation
- with 2 loudspeaker connections
- with screw terminals

SUITABLE FOR optional	ORDER NO.	PAGE
Loudspeaker	2882 ..	122

DESIGN	ORDER NO.	PU
--------	-----------	----

Berker S.1/B.3/B.7

polar white glossy	2880 89 89	1
polar white matt	2880 99 09	1
stainless steel matt, lacquered	2880 89 16	1

Berker K.1/K.5

polar white glossy	2880 70 09	1
stainless steel matt, lacquered	2880 70 04	1



Radio Touch

Frequency	50/60 Hz
Operating voltage	230 V~
Frequency range (radio reception)	87.5 ... 108 MHz
For loudspeakers	per channel 4 ... 8 Ω
Conductor cross-section	max. 2.5 mm ²
Conductor cross-section (loudspeakers)	max. 1.5 mm ²
Dimensions of display (W x H)	35 x 28 mm
Insertion depth	33 mm

At least one loudspeaker must be connected for operation.

- countdown
- volume control
- alarm clock with snooze alarm
- sleep timer
- operation via sensor areas of the touch display
- illuminated touch graphics display
- time and date display
- stereo FM radio with RDS display
- manual and automatic station search
- external audio input, e.g. for MP3 player or docking station
- extension unit input for separate on/off switching
- 8 station memory, non-volatile
- switch-on with last station
- with 2 loudspeaker connections
- with screw terminals

SUITABLE FOR	ORDER NO.	PAGE
Loudspeaker	2882 ..	122

DESIGN	ORDER NO.	PU
--------	-----------	----

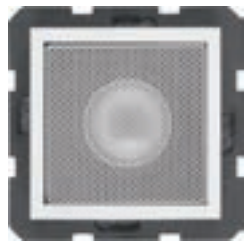
Berker S.1/B.3/B.7

polar white glossy	2884 89 89	1
polar white matt	2884 99 09	1
anthracite matt	2884 16 06	1
aluminium matt, lacquered	2884 14 04	1
stainless steel matt, lacquered	# 2884 89 16	1

Berker K.1/K.5

polar white glossy	2884 70 09	1
anthracite matt, lacquered	2884 70 06	1
aluminium matt, lacquered	2884 70 03	1
stainless steel matt, lacquered	2884 70 04	1





Loudspeaker

Impedance	4 Ω	■ confectioned, with 2-core, double-insulated, flexible cable
Nominal/music power handling	3/4 W	■ without spreader claws
Frequency response (-3 dB)	170 ... 18000 Hz	
Pre-assembled cable	≈ 25 cm	
Conductor cross-section (flexible)	0.5 mm ²	
Insertion depth	35 mm	

SUITABLE FOR	ORDER NO.	PAGE
Berker Radio Touch	2880 ..	121
Berker Radio Touch	2884 ..	121

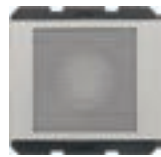
DESIGN ORDER NO. PU

Berker S.1/B.3/B.7

polar white glossy	2882 89 89	1
polar white matt	2882 99 09	1
anthracite matt	2882 16 06	1
aluminium matt, lacquered	2882 14 04	1
stainless steel matt, lacquered	2882 89 16	1

Berker K.1/K.5

polar white glossy	2882 70 09	1
anthracite matt, lacquered	2882 70 06	1
aluminium matt, lacquered	2882 70 03	1
stainless steel matt, lacquered	2882 70 04	1



Frames

- Combination frames allow you to combine up to 5 devices vertically or horizontally
- For additional design and colour variants, as well as 4-gang and 5-gang frames, please refer to the main Berker catalogue

Frame 1gang



DESIGN ORDER NO. PU

Berker S.1

polar white glossy	1011 89 89	10
polar white matt	1011 99 09	10

Berker B.3

aluminium/anthracite matt, aluminium anodised	1011 30 04	10
Aluminium/polar white matt, aluminium anodised	1011 39 04	10

Berker B.7

glass polar white/polar white matt	1011 69 09	10
glass black/anthracite matt	1011 66 16	10
glass aluminium/aluminium matt, lacquered	1011 64 14	10

Berker K.1

anthracite matt, lacquered	1313 70 06	10
polar white glossy	1313 70 09	10

Berker K.5

Aluminium, aluminium anodised	1313 70 03	10
Stainless steel, metal matt finish	1313 70 04	10

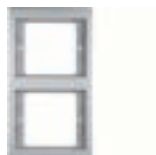
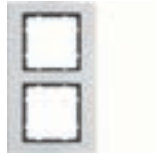




Frame 2gang

■ for vertical and horizontal mounting

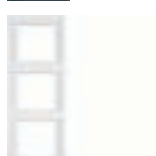
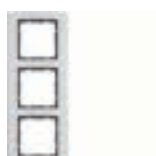
DESIGN	ORDER NO.	PU
Berker S.1		
polar white glossy	1012 89 89	10
polar white matt	1012 99 09	10
Berker B.3		
aluminium/anthracite matt, aluminium anodised	1012 30 04	10
Aluminium/polar white matt, aluminium anodised	1012 39 04	10
Berker B.7		
glass polar white/polar white matt	1012 69 09	5
glass black/anthracite matt	1012 66 16	5
glass aluminium/aluminium matt, lacquered	1012 64 14	5
Berker K.1		
anthracite matt, lacquered, 2gang vertical	1323 70 06	10
anthracite matt, lacquered, 2gang horizontal	1363 70 06	10
polar white glossy, 2gang vertical	1323 70 09	2
polar white glossy, 2gang horizontal	1363 70 09	2
Berker K.5		
Aluminium, aluminium anodised, 2gang vertical	1323 70 03	2
Aluminium, aluminium anodised, 2gang horizontal	1363 70 03	2
Stainless steel, metal matt finish, 2gang vertical	1323 70 04	2
Stainless steel, metal matt finish, 2gang horizontal	1363 70 04	2



Frame 3gang

■ for vertical and horizontal mounting

DESIGN	ORDER NO.	PU
Berker S.1		
polar white glossy	1013 89 89	10
polar white matt	1013 99 09	10
Berker B.3		
aluminium/anthracite matt, aluminium anodised	1013 30 04	10
Aluminium/polar white matt, aluminium anodised	1013 39 04	10
Berker B.7		
glass polar white/polar white matt	1013 69 09	5
glass black/anthracite matt	1013 66 16	5
glass aluminium/aluminium matt, lacquered	1013 64 14	5
Berker K.1		
anthracite matt, lacquered, 3gang vertical	1333 70 06	2
anthracite matt, lacquered, 3gang horizontal	1373 70 06	2
polar white glossy, 3gang vertical	1333 70 09	2
polar white glossy, 3gang horizontal	1373 70 09	2
Berker K.5		
Aluminium, aluminium anodised, 3gang vertical	1333 70 03	2
Aluminium, aluminium anodised, 3gang horizontal	1373 70 03	2
Stainless steel, metal matt finish, 3gang vertical	1333 70 04	2
Stainless steel, metal matt finish, 3gang horizontal	1373 70 04	2





SCHUKO SOCKET OUTLETS - SYSTO 45	128
INTERNATIONAL SOCKET OUTLET	
SYSTEMS - SYSTO 45	128 - 130
ACCESSORIES - SYSTO 45	130
SWITCHES/PUSH-BUTTONS - SYSTO 45	131
DATA COMMUNICATION - SYSTO 45	131 - 132
SCHUKO SOCKET OUTLETS FOR SPECIAL APPLICATIONS - INTEGRO	133
FRAMES FOR SPECIAL APPLICATIONS - INTEGRO	133 - 135

The highest level of quality is vital in ensuring the ultimate safety of individuals.

Our portfolio of Integro and Systo socket outlets can deliver this exceptional standard of quality for the medical sector.

They can be used for many different applications in hospitals, for example for the ceiling unit in the operating room and bedhead unit in the care sector as well as for laboratory fittings and furnishings.

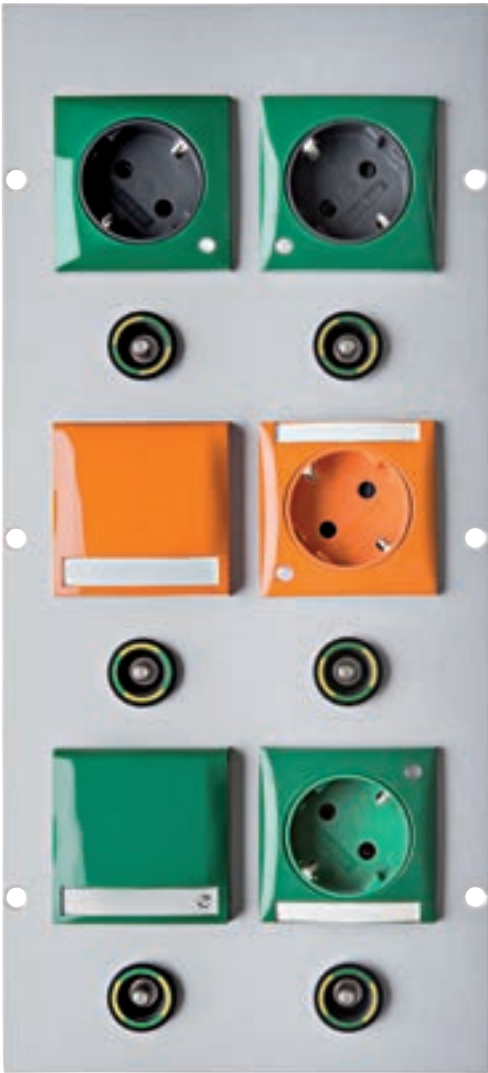
The Integro socket outlets are available in the colours green, orange and red for special circuits with indicator LED and they comply with TNO requirements.

The Systo range is available in the most compact dimensions of 45 x 45 mm to guarantee a flush installation of socket outlets in your trunking.

We are happy to provide you with more information on electrical installations for medical and laboratory applications.

PRODUCT EXAMPLES





FRAMES/COVERS/CENTRAL INSERTS

- Plastic, glossy
- Grey similar to RAL 7038
- Polar white similar to RAL 9010
- Black similar to RAL 9005
- Red similar to RAL 3002
- Green similar to RAL 6032
- Orange similar to RAL 2008

SCHUKO SOCKET OUTLETS - SYSTO 45

Built-in SCHUKO socket outlets "SNAP IN"



Built-in socket outlet SCHUKO, SNAP IN 4.6 mm

- enhanced contact protection
- plug-in terminals



- for catch fixing
- suitable for flush-mounted installation

i 154

Rated voltage	250 V~
Rated current	16 A
Dimensions (W x H x D)	45 x 45 x 40 mm
Installation wall thickness	4.6 mm
Insertion depth	45 mm

DESIGN	ORDER NO.	PU
white	WS1 60	10
black	WS16 0N	10
green	WS16 0V	10
orange	WS16 0E	10



Built-in double socket outlet SCHUKO 45°, SNAP IN 4.6 mm

- enhanced contact protection
- plug-in terminals



- for catch fixing
- suitable for flush-mounted installation

SUITABLE FOR optional	ORDER NO.	PAGE
Connecting plug	WS1 20 ..	130

i 154

Rated voltage	250 V~
Rated current	16 A
Dimensions (W x H x D)	90 x 45 x 42.5 mm
Installation wall thickness	4.6 mm
Insertion depth	45 mm

DESIGN	ORDER NO.	PU
white	WS1 72	10
black	WS17 2N	10
green	WS17 2V	10
orange	WS17 2E	10



INTERNATIONAL SOCKET OUTLET SYSTEMS - SYSTO 45

Built-in socket outlets with earthing pin "SNAP IN"



Built-in socket outlet with earthing pin, SNAP IN 4.6 mm

- enhanced contact protection
- plug-in terminals



- 2pole + earth
- for catch fixing
- suitable for flush-mounted installation

i 154

Rated voltage	250 V~
Rated current	16 A
Dimensions (W x H x D)	45 x 45 x 37 mm
Installation wall thickness	4.6 mm
Insertion depth	40 mm

Enhanced contact protection (child protection) according to IEC 60884-1

DESIGN	ORDER NO.	PU
white	WS1 00	10
black	WS10 0N	10
green	WS10 0V	10
orange	WS10 0E	10





Built-in socket outlet with earthing pin 45°, SNAP IN 4.6 mm

- enhanced contact protection
- plug-in terminals



Rated voltage	250 V~
Rated current	16 A
Installation wall thickness	4.6 mm
Insertion depth	45 mm
Dimensions (W x H x D)	67.5 x 45 x 43.5 mm

Enhanced contact protection (child protection) according to IEC 60884-1

- 2pole + earth
- width: 2 module units
- for catch fixing
- suitable for flush-mounted installation

SUITABLE FOR optional	ORDER NO.	PAGE
Connecting plug	WS1 20 ..	130

i 154

DESIGN	ORDER NO.	PU
white	WS1 21	20
black	WS12 1N	20
green	WS12 1V	20
orange	WS12 1E	20



Built-in double socket outlet with earthing pin 45°, SNAP IN 4.6 mm

- enhanced contact protection
- plug-in terminals



Rated voltage	250 V~
Rated current	16 A
Dimensions (W x H x D)	90 x 45 x 42.5 mm
Installation wall thickness	4.6 mm
Insertion depth	45 mm

Enhanced contact protection (child protection) according to IEC 60884-1

- 2pole + earth
- for catch fixing
- suitable for flush-mounted installation

SUITABLE FOR optional	ORDER NO.	PAGE
Connecting plug	WS1 20 ..	130

i 154

DESIGN	ORDER NO.	PU
white	WS1 22	10
black	WS12 2N	10
green	WS12 2V	10
orange	WS12 2E	10



Built-in socket outlets with earthing pin "DETROMPAGE" "SNAP IN"



Built-in socket outlet with earthing pin "DETROMPAGE", SNAP IN 4.6 mm

- enhanced contact protection
- screw terminals



Rated voltage	250 V~
Rated current	16 A
Installation wall thickness	4.6 mm
Insertion depth	40 mm
Dimensions (W x H x D)	45 x 45 x 37 mm

Enhanced contact protection (child protection) according to IEC 60884-1

- confusion-safe
- 2pole + earth
- for catch fixing
- suitable for flush-mounted installation

SUITABLE FOR	ORDER NO.	PAGE
Connecting attachment "DETROMPAGE" WS6 97 .. for socket outlet with earthing pin		130

i 154

DESIGN	ORDER NO.	PU
red	WS1 06	10





Built-in socket outlet with earthing pin "DETROMPAGE", SNAP IN 4.6 mm

- enhanced contact protection
- plug-in terminals



Rated voltage	250 V~
Rated current	16 A
Installation wall thickness	4.6 mm
Insertion depth	40 mm
Dimensions (W x H x D)	45 x 45 x 37 mm

- confusion-safe
- 2pole + earth
- for catch fixing
- suitable for flush-mounted installation

SUITABLE FOR	ORDER NO.	PAGE
Connecting attachment "DETROMPAGE" WS6 97 .. for socket outlet with earthing pin		130

i 154

Enhanced contact protection (child protection) according to IEC 60884-1



DESIGN	ORDER NO.	PU
red	WS1 05	10

ACCESSORIES - SYSTO 45



Connecting plug

Rated voltage	250 V~
Rated current	16 A
Dimensions (W x H x D)	40 x 30 x 25 mm

- 3pole terminal block on both sides

SUITABLE FOR	ORDER NO.	PAGE
Built-in socket outlet with earthing pin 45°, SNAP IN 4.6 mm	WS1 21 ..	129
Built-in double socket outlet with earthing pin 45°, SNAP IN 4.6 mm	WS1 22 ..	129
Built-in double socket outlet SCHUKO 45°, SNAP IN 4.6 mm	WS1 72 ..	128

i 155

DESIGN	ORDER NO.	PU
light grey	WS1 20	10



Connecting attachment "DETROMPAGE" for socket outlet with earthing pin

"DETROMPAGE": Confusion-safe connection for emergency power devices!
To mount on plug with earthing pin

- adapter with release pin

SUITABLE FOR	ORDER NO.	PAGE
Built-in socket outlet with earthing pin "DETROMPAGE", SNAP IN 4.6 mm	WS1 0 ..	130

DESIGN	ORDER NO.	PU
red	WS6 97	10



Blank module

Dimensions (W x H x D)	22.5 x 45 x 37 mm
------------------------	-------------------

DESIGN	ORDER NO.	PU
white, 1gang	WS6 88	10
white, 2gang	WS6 89	10

SWITCHES/PUSH-BUTTONS - SYSTO 45

Rocker switches "SNAP IN"



Built-in change-over switch, SNAP IN 4.6 mm

Rated voltage	250 V~
Switching current	10 AX
Insertion depth	40 mm
Installation wall thickness	4.6 mm
Dimensions (W x H x D)	45 x 45 x 37 mm

- for catch fixing
- suitable for flush-mounted installation
- with plug-in terminals
- change-over

i 154



DESIGN	ORDER NO.	PU
white	WS0 01	10

DATA COMMUNICATION - SYSTO 45

FCC socket outlets "SNAP IN"



FCC socket outlet 8pole shielded cat.6, SNAP IN 4.6 mm

- labelling field



Rated voltage	72 V=
Rated current	0.5 A
Transmission bandwidth	max. 250 MHz
Signal contact resistance	20 mΩ
Shield contact resistance	100 mΩ
Conductor Ø	0.4 ... 0.65 mm
Dimensions (W x H x D)	22.5 x 45 x 37 mm
Installation wall thickness	4.6 mm
Insertion depth	40 mm

- width: 1 module unit
- with dust protection cover
- with push-on cover
- for RJ11, RJ12 and RJ45 plugs
- cat.6_A iso, Class E_A, shielded
- suitable for PoE+
- with screen contacting 360° and cable clamp
- for catch fixing
- suitable for flush-mounted installation
- with 45° oblique outlet
- with cutting terminals

i 155

Design to according to DIN IEC 60603-7-51
 Cat.6 according to DIN EN 50173-1 and ISO/IEC 11801, 2nd edition
 Protective screen according to DIN EN 55022, Class B
 Colour code A and B according to TIA/EIA-568-B.2



DESIGN	ORDER NO.	PU
white	WS2 52	10



**FCC socket outlet 8pole shielded cat.6,
 SNAP IN 4.6 mm**

- labelling field



Rated voltage	72 V=
Rated current	0.5 A
Transmission bandwidth	max. 250 MHz
Signal contact resistance	20 mΩ
Shield contact resistance	100 mΩ
Conductor Ø	0.4 ... 0.65 mm
Dimensions (W x H x D)	45 x 45 x 37 mm
Installation wall thickness	4.6 mm
Insertion depth	40 mm

- width: 2 module units
- with dust protection cover
- with push-on cover
- for RJ11, RJ12 and RJ45 plugs
- cat.6_A iso, Class E_A, shielded
- suitable for PoE+
- with screen contacting 360° and cable clamp
- for catch fixing
- suitable for flush-mounted installation
- with 45° oblique outlet
- with cutting terminals

i 155

Design to according to DIN IEC 60603-7-51
 Cat.6 according to DIN EN 50173-1 and ISO/IEC 11801,
 2nd edition
 Protective screen according to DIN EN 55022, Class B
 Colour code A and B according to TIA/EIA-568-B.2



DESIGN
 white

ORDER NO.
WS2 26

PU
 1

SCHUKO SOCKET OUTLETS FOR SPECIAL APPLICATIONS - INTEGRO



SCHUKO socket outlet 45°, with indicator LED, SNAP IN 2 mm

- enhanced contact protection
- plug-in terminals



Rated current	16 A
Operating voltage	250 V~
LED current	1 mA
Installation wall thickness	2 mm

- with distance sealing ring
- for diagonal installation
- for catch fixing

SUITABLE FOR

Frames for special applications - Integro
Frames with hinged cover
Frame

ORDER NO.

9 1977 25 ..

PAGE

page 133
page 135
54

i 148

Earth bracket clamping forces according to TNO requirements.

Not suitable for contact protection boxes (cavity walls).

Connection terminals according to IEC 60884-1

Design according to DIN 49440

Enhanced contact protection (child protection) according to IEC 60884-1

DESIGN	ORDER NO.	PU
red matt	9 4713 25 76	200
green matt	9 4713 25 03	200
orange matt	9 4713 25 04	200



FRAMES FOR SPECIAL APPLICATIONS - INTEGRO



Frame 1gang

i 151

DESIGN	ORDER NO.	PU
Berker Integro Flow		
red glossy	9 1827 25 76	10
green glossy	9 1827 25 70	10
orange glossy	9 1827 25 74	10



Frame 1gang

i 151

DESIGN	ORDER NO.	PU
Berker Integro Classic		
red glossy	9 1827 86	10
green glossy	9 1827 87	10
orange glossy	9 1827 88	10



Frame 2gang

- for vertical and horizontal mounting

i 151

DESIGN	ORDER NO.	PU
Berker Integro Flow		
red glossy	8 1826 25 76	100
red glossy	9 1826 25 76	2
green glossy	9 1826 25 70	2
orange glossy	9 1826 25 74	2



Frame 3gang

■ for vertical and horizontal mounting

i 151

DESIGN	ORDER NO.	PU
Berker Integro Flow		
red glossy	9 1819 25 76	2
green glossy	9 1819 25 70	2
orange glossy	9 1819 25 74	2

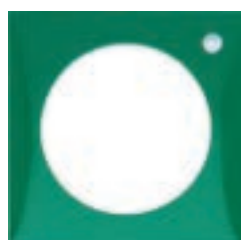


Frame
- labelling field



Labelling field height arranged for P-touch strips 6 mm.

DESIGN	ORDER NO.	PU
Berker Integro Flow		
red glossy	9 1803 25 76	10
green glossy	9 1803 25 90	10
orange glossy	9 1803 25 94	10

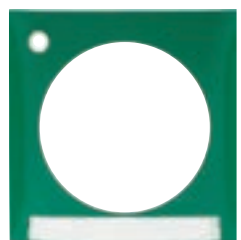


Frame
- lens, upper right



■ for socket with indicator LED

DESIGN	ORDER NO.	PU
Berker Integro Flow		
red glossy	9 1987 25 76	10
green glossy	9 1987 25 03	10
orange glossy	9 1987 25 04	10



Frame
- labelling field
- lens, upper left



Labelling field height arranged for P-touch strips 6 mm.

■ for socket with indicator LED

DESIGN	ORDER NO.	PU
Berker Integro Flow		
red glossy	8 1970 25 76	200
green glossy	8 1970 25 03	200
orange glossy	8 1970 25 04	200



Frame

- labelling field
- lens, upper right



Labelling field height arranged for P-touch strips 6 mm.

- for socket with indicator LED

DESIGN	ORDER NO.	PU
Berker Integro Flow		
red glossy	8 1977 25 76	200
green glossy	8 1977 25 03	200
orange glossy	8 1977 25 04	200
red glossy	9 1977 25 76	10
green glossy	9 1977 25 03	10
orange glossy	9 1977 25 04	10

Frames with hinged cover



Frame with hinged cover

- for covering of socket outlets

i 151

DESIGN	ORDER NO.	PU
Berker Integro Flow		
red glossy	9 1828 25 76	10
green glossy	9 1828 25 70	10
orange glossy	9 1828 25 74	10



Frame with hinged cover

- labelling field



Labelling field height arranged for P-touch strips 9 mm.

- with 2 labelling field inlays, neutral and perforated for socket outlet with indicator LED
- for covering of socket outlets

DESIGN	ORDER NO.	PU
Berker Integro Flow		
red glossy	9 1988 25 76	10
green glossy	9 1988 25 03	10
orange glossy	9 1988 25 04	10

Leder
Leather



Carbon optik
Carbon optics



Braun
Brown



Kuhfell
Cowskin



Acrylglas fluoreszierend
Fluorescent acrylic glass



Rot
Red



Orange
Orange



Schwarz
Black



Polarwe
Polar W

BERKER MANUFAKTUR	138 - 139
SPECIAL CABLE TRUNKING SOLUTIONS	140 - 141
CABLE TRUNKINGS ON A ROLL	142 - 143
DISTRIBUTION BOARDS	144 - 145

Added customer benefits from customised solutions. Because of the affiliation with the Hager Group, we can offer our customers an even wider range of solutions and services. By customising products to our customers' needs, we can offer new, innovative and added-value product solutions.

In this section you will find solutions for reliable power supplies for caravanning, high-quality switch and socket outlet solutions for design-related applications or individually configured trunkings, for example for furnishing hospitals and laboratories.

Please contact your Berker Business Solutions partner if you have any questions.

More and more people are following the trend of not following a trend. For these people, there is Berker Manufaktur.

Berker was founded in 1919 as a „Specialised Factory for Electrotechnical Devices“. Even our name showed our intention of finding specialised solutions for customers. And this intention is no different, even today.

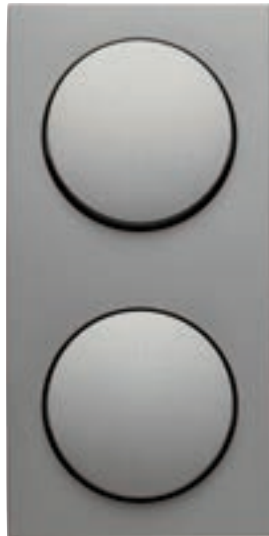
At Berker Manufaktur, we apply customised labelling, innovative colours and elegant surface finishes to our range of switches. There are many ways to make switches as individual as the customer requires. Because, in principle, all of our switch ranges can be given an individual look.

We look forward to receiving your request!

COLOURING



Integro FLOW
2gang switch combination
copper, matt, lacquered



Integro PURE
2gang switch combination
nickel, matt, lacquered



Integro PURE
2gang switch combination
titanium grey, matt, lacquered

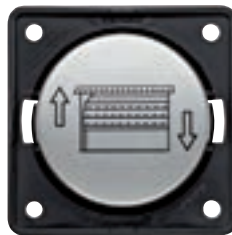


Integro FLOW/PURE
hinged cover
black chrome, glossy,
galvanised

SPECIAL LABELLING –
LETTERING AND SYMBOLS



Integro FLOW
hinged cover,
with individual printing



Integro
switch printed with special symbols



EXCEPTIONS CONFIRM THE RULE

Functional furniture and special-purpose vehicle construction have extremely specific installation requirements.

Individual cable trunking solutions from the Hager Group offer a tailored electrical profile for any situation as well as a special touch in terms of design and quality.

From special lengths and colours to specially developed solutions - we can find together the right SOLUTION for your needs!

SOLUTIONS

CABLE TRUNKINGS ON A ROLL

The cable trunking roll has a flexible design and can be cut to customised lengths for space-saving storage and an economical and ecological use of the installation material.



Cable trunkings on a roll, black, (W x H) 12 x 7 mm
Order no.. OLFR701209011BE1

Cable trunkings on a roll, polar white, (W x H) 20 x 35 mm
Order no.. OLFR2003509010BE1

Cable trunkings on a roll



Cable trunking with double sided adhesive tape

length 20 m

- PVC
- with perforated base
- with factory-made adhesive tape
- lower part and cover of trunking are joined

MOQ - 720 m

DESIGN	ORDER NO.	PU
polar white, dimensions (W x H) 12 x 7 mm	OLFR701209010BE1	20
polar white, dimensions (W x H) 15 x 15 mm	OLFR1501509010BE1	20
polar white, dimensions (W x H) 20 x 20 mm	OLFR2002009010BE1	20
polar white, dimensions (W x H) 33 x 18 mm	OLFR2003509010BE1	20
black, dimensions (W x H) 12 x 7 mm	OLFR701209011BE1	20
black, dimensions (W x H) 15 x 15 mm	OLFR1501509011BE1	20
black, dimensions (W x H) 20 x 20 mm	OLFR2002009011BE1	20
black, dimensions (W x H) 20 x 35 mm	OLFR2003509011BE1	20



Cable trunking

length 20 m

- PVC
- with perforated base
- lower part and cover of trunking are joined

MOQ - 720 m

DESIGN	ORDER NO.	PU
polar white, dimensions (W x H) 12 x 7 mm	OLFR701209010BE2	20
polar white, dimensions (W x H) 15 x 15 mm	OLFR1501509010BE2	20
polar white, dimensions (W x H) 20 x 20 mm	OLFR2002009010BE2	20
polar white, dimensions (W x H) 33 x 18 mm	OLFR2003509010BE2	20

DISTRIBUTION BOARDS – ESSENTIAL FOR LEISURE VEHICLES

Every leisure vehicle requires a distribution board for the fuse protection of electrical consumers.

The „Caravanning Model“ is a stylish distributor solution that is also suitable for assembly in visible areas. Berker Business Solutions offers you an individual configuration starting from the choice of modular device to the available connection options and includes the personalised labelling of your distribution board. Here you can find the right solutions to suit your requirements.



Distribution board, „Model Caravanning“

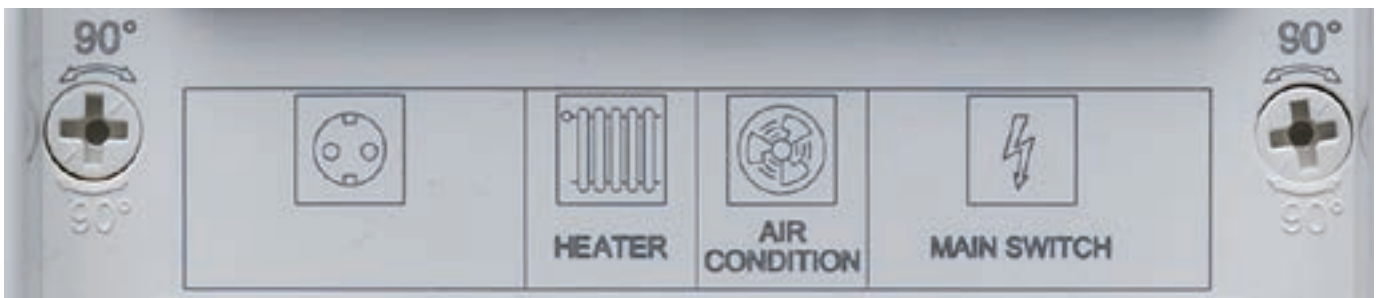
PRODUCT FEATURES

„MODEL CARAVANING“:

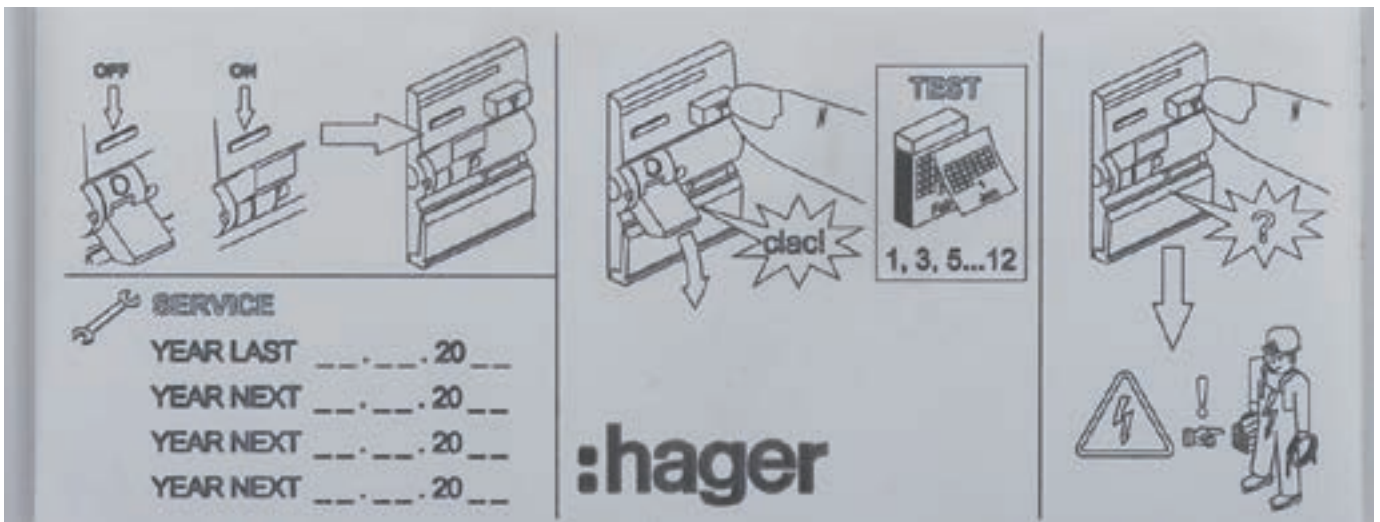
- Application range: 230 V
- Dimensions: (W x H x D)
153 x 231 x 94 mm
- Degree of protection:
IP 40 only with door
- DIN EN 61439
- Housing colour:
pure white similar to RAL 9010
- Housing made of flame-retardant plastic
- Door available in white or transparent
- Flexible connection options with
Flat connector terminal block, screw terminals or Wago quick connection
- Wiring according to customer requirements
- Fastening points accessible from outside without disruptive clips, it is possible to screw on the housing when it is closed



Individual modular device configuration from the Hager product portfolio - residual current circuit-breaker (RCCB) and wiring protection switch (MCB) on 6 units with busbar.



Individually configurable laser printing for clear assignment of fitted modular devices.



Use of clear, comprehensible symbols with information on maintenance intervals, functional test and information on what to do in the event of interference.

FOR SURFACES MADE FROM PLASTIC, METAL OR GLASS

Clean by wiping the surfaces with a moist, soft, lint-free cloth. In the case of heavy dirt we recommend using a diluted household cleaning agent containing soap. Open-pored surfaces made from natural materials are sensitive to grease and dirt. They are to be cleaned with a dry, lint-free cloth only.

FOR SURFACES MADE OF STAINLESS STEEL

Aggressive external ambient factors or direct treatment can damage the material. This can result in rust or discoloration. We recommend cleaning and impregnating stainless steel parts several times a year with special cleaning and care products intended for stainless steel products. Please observe the instructions for use of the cleaning material, as it may not be suitable for use with plastics or fine metallic surface finishes.

APPLIES TO ALL SURFACES

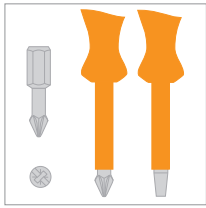
Abrasives and polishes, acid-based (scale removing) detergents and detergents containing chlorine as well as alkaline-based detergents will generally damage all surfaces. Moreover, painted/lacquered surfaces must not come in contact with detergents that contain alcohol



INSTALLATION INSTRUCTIONS / SOCKET OUTLETS	i148
MODULE INSERTS BERKER INTEGRO	i149
BERKER INTEGRO DIMENSIONAL DRAWINGS/ INSTALLATION INSTRUCTIONS	i150 - i151
BERKER TWIN-BOX	i152
BERKER INTEGRO BOX	i153
SYSTO MODULE INSERTS / INSTALLATION INSTRUCTIONS / DATA COMMUNICATION	i154 - i155
BUILT-IN SCHUKO SOCKET OUTLETS	i156 - i158
BUILT-IN SOCKET OUTLETS WITHOUT EARTHING CONTACT	i158
TEST MARKS, ADMINISTRATIVE MARKS, TRADEMARKS AND SYMBOLS	159
GENERAL TERMS AND CONDITIONS OF BUSINESS	160
PRODUCT SUMMARY	161 - 164

Installation instructions

Tool size for processing BERKER products



The products have combination screws that can be processed with cross-head as well as flat-blade screwdrivers.

- Tool sizes for contact screws:
- Cross-head bits: Pozi-Drive, size 2
 - Cross-head screwdrivers: Pozi-Drive, size 2
 - Slot screwdrivers: blade thickness 1 mm

Tool sizes for fixing screws:

- Cross-head bits: Pozi-Drive, size 1
- Cross-head screwdrivers: Pozi-Drive size 1.
- Slot screwdrivers: Blade thickness 0.8 mm.

i When using cordless screwdrivers a maximum torque of 0.5 Nm should be used.

International socket outlets

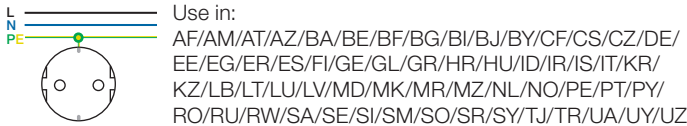


Fig. 1: SCHUKO socket outlet* - 2-pin + earth, 250 V~, 16 A

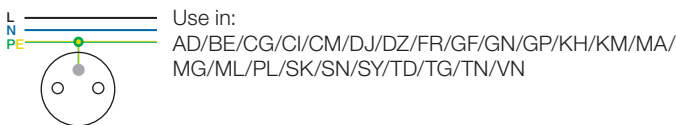


Fig. 2: Socket outlet with earthing pin FRANCE/BELGIUM* - 2-pin + earth, 250 V~, 16 A

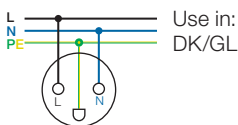


Fig. 3: Socket outlet with earthing contact DENMARK - 2-pin + earth, 250 V~, 13 A

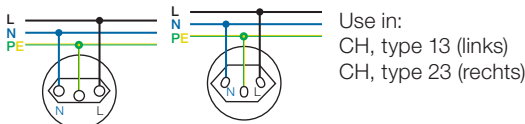


Fig. 4: Socket outlet with earthing contact SWITZERLAND - 2-pin + earth, type 13: 250 V~, 10 A; type 23: 250 V~, 16 A

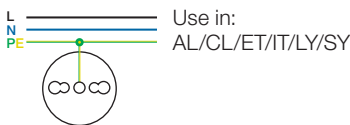


Fig. 5: Socket outlet with earthing contact ITALY* - 2-pin + earth, 250 V~, 16 A

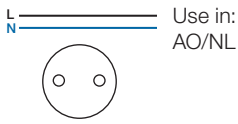


Fig. 6: Socket outlet without earthing contact NETHERLANDS* - 2-pin, 250 V~, 16 A



Fig. 7: Socket outlet with earthing contact BRITISH STANDARD, standard: BS 1363 Part 2 - 2-pin + earth, 250 V~, 13 A

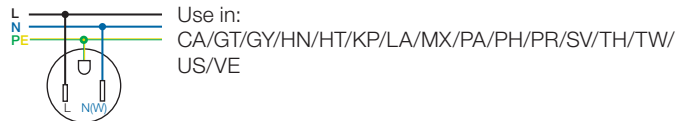


Fig. 8: Socket outlet with earthing contact USA/CANADA NEMA 5-15 R - 2-pole + earth, 125 V~, 15 A

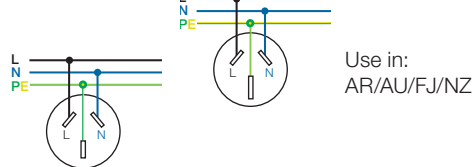


Fig. 9: Socket outlet with earthing contact AUSTRALIA - 2-pin + earth, 250 V~, 10 A (left Fig.); 250 V~, 15 A (right Fig.)

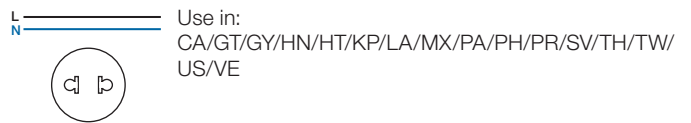


Fig. 10: Socket outlet without earthing contact EURO-AMERICAN STANDARD* - 2-pin, 250 V~, 10 A

* Non-polarised system - without specification for the connection of the external wire and neutral wire)

Country abbreviations in accordance with ISO 3166

AD=Andorra; AE=United Arab Emirates; AF=Afghanistan; AG=Antigua; AL=Albania; AM=Armenia; AO=Angola; AR=Argentina; AT=Austria; AU=Australia; AZ=Azerbaijan; BA=Bosnia and Herzegovina; BE=Belgium; BF=Burkina Faso; BG=Bulgaria; BI=Burundi; BJ=Benin; BN=Brunei; BW=Botswana; BY=Belarus; CA=Canada; CF=Central Africa Republic; CG=Congo; CH=Switzerland; CI=Côte d'Ivoire; CL=Chile CM=Cameroon; CS=Serbia and Montenegro; CY=Cyprus; CZ=Czech Republic; DE=Germany; DJ=Djibouti; DK=Denmark; DZ=Algeria; EE=Estonia; EG=Egypt; ER=Eritrea; ES=Spain; ET=Ethiopia; FI=Finland; FJ=Fiji; FR=France; GB=United Kingdom; GD=Grenada; GE=Georgia; GF=French Guiana; GH=Ghana; GL=Greenland; GM=Gambia; GN=Guinea; GP=Guadeloupe; GR=Greece; GT=Guatemala; GY=Guyana; HK=Hong Kong; HN=Honduras; HR=Croatia; HT=Haiti; HU=Hungary; ID=Indonesia; IE=Ireland; IQ=Iraq; IR=Iran; IS=Iceland; IT=Italy; KE=Kenya; KH=Cambodia; KM=Comoros; KP=North Korea; KR=South Korea; KW=Kuwait; KZ=Kazakhstan; LA=Laos; LB=Lebanon; LR=Liberia; LT=Lithuania; LU=Luxemburg; LV=Latvia; LY=Libya; MA=Morocco; MD=Moldavia; MG=Madagascar; MK=Macedonia; ML=Mali; MR=Mauritania; MT=Malta; MW=Malawi; MX=Mexico; MY=Malaysia; MZ=Mozambique; NL=Netherlands; NO=Norway; NZ=New Zealand; OM=Oman; PA=Panama; PE=Peru; PH=Philippines; PL=Poland; PR=Puerto Rico; PT=Portugal; PY=Paraguay; RO=Rumania; RU=Russia; RW=Ruanda; SA=Saudi Arabia; SE=Sweden; SI=Slovenia; SK=Slovakia; SL=Sierra Leone; SM=San Marino; SN=Senegal; SO=Somalia; SR=Surinam; SV=El Salvador; SY=Syria; TD=Chad; TG=Togo; TH=Thailand; TJ=Tajikistan; TM=Turkmenistan; TN=Tunisia; TR=Turkey; TW=Taiwan; TZ=Tanzania; UA=Ukraine; US=USA; UY=Uruguay; UZ=Uzbekistan; VE=Venezuela; VN=Vietnam; YE=Yemen; ZA=Zambia; ZW=Zimbabwe

Berker Integro

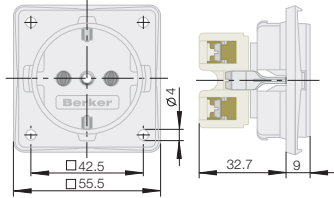
Module inserts

i Flat-head screws, size M3 or M3.5 must be used to fasten the inserts.

socket outlets

Dimensional drawing

Socket outlets of international plug-and-socket systems have insertion depths that are different from those of SCHUKO socket outlets (Table 1).



Socket outlet system	Insertion depth
SCHUKO socket outlet	32.7 mm
Socket outlet with earthing contact, USA/CANADA, NEMA 5-15 R	19.5 mm
Socket outlet with earthing contact, USA/CANADA, NEMA 6-20 R	19.5 mm
Socket outlet with earth contact AUSTRALIA	16.5 mm
Socket outlet with earthing contact DENMARK	27.5 mm
Socket outlet with earthing contact ITALY	34.0 mm
Einbauöffnung Socket outlet with earthing contact, SWITZERLAND, type 13	28.0 mm
Einbauöffnung Socket outlet with earthing contact, SWITZERLAND, type 23	28.0 mm
Socket outlet with earth contact BRITISH STANDARD	20.5 mm
Socket outlet with earthing pin FRANCE/BELGIUM	29.5 mm
Socket outlet without earth contact NETHERLANDS	29.6 mm
Socket outlet without earthing contact EURO-AMERIKANISCHER STANDARD	21.3 mm

Table 1: Installation depth of different plug and socket systems

Audio/video modules

Cinch modules

Cinch (RCA) is the designation of standardised connectors for transmitting electrical signals, primarily via coaxial cables. Use of other cable types is not widespread, however it is possible.

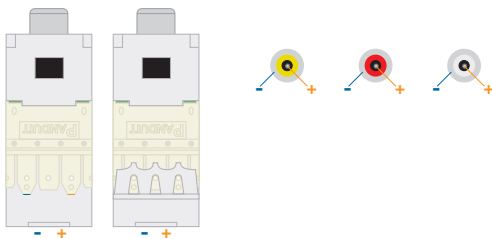


Figure 1: Pin assignments for cinch modules

VGA modules

The VGA module is used to connect display devices on a graphic card. Depending on the quality, VGA cables can be susceptible to interference at lengths of under 5m, or they can still transmit a good signal at lengths in excess of 30 m. Cables suited for high frequency with a coaxial structure for the colour channels are advantageous.

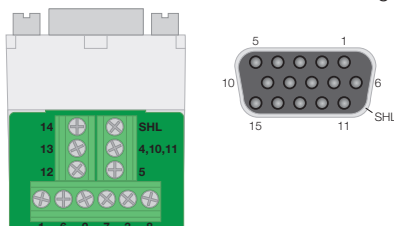
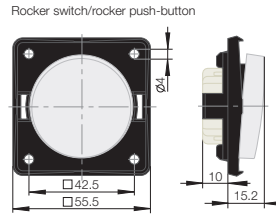


Fig. 2: Pinout of the VGA modules

Rocker switch/rocker push-button

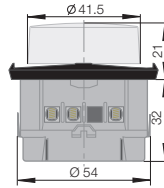
Dimensional drawing



Rotary dimmer with setting knob

Dimensional drawing

400W,
order no. 9 2871 ...



PIN	Transmission signal	wire
1	Red	Coaxial wire
2	Green	Coaxial wire
3	blue	Coaxial wire
4*	Monitor ID bit 2	Twisted pair wire (optional connection)
5	Ground	Twisted pair wire
6	red ground	Coaxial shielding
7	green ground	Coaxial shielding
8	blue ground	Coaxial shielding
9	–	–
10*	Synchronous ground	Twisted pair wire
11*	Monitor ID bit 0 or digital ground	Twisted pair wire (optional connection)
12	Monitor ID bit 1	Twisted pair wire (optional connection)
13	Horizontal synchronisation	Wire 1
14	Vertical synchronisation	wire 2
15	Monitor ID bit 3	–
SHL	Housing shielding	External shielding

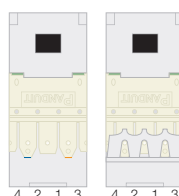
*Are connected together on one terminal.

Table 2: Contact pinouts of the VGA modules

S-Video module

The S-Video (also known as Separate Video, Y/C) module is used for separate transmission of brightness (luminance) and colour (chrominance or chroma) information.

i Cable lengths should not exceed 10 m.



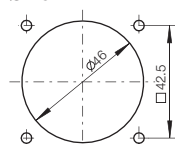
- 1 Luminance (Y) earth
- 2 Chrominance (C) earth
- 3 Intensity (luminance) Y
- 4 Colour (chrominance) C

Figure 3: Contact assignment of the S-Video module

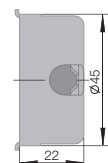
Contact protection boxes

Dimensional drawings

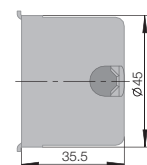
Installation cutout
Ø 46 mm



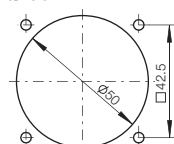
9 1820 01
 9 1820 03



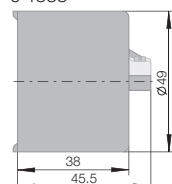
9 1820
 9 1820 02



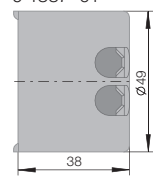
Installation cutout
Ø 50 mm



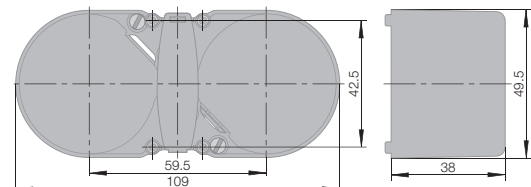
9 1883



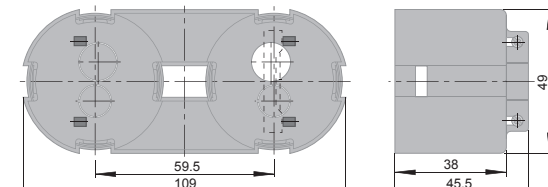
9 1887 01



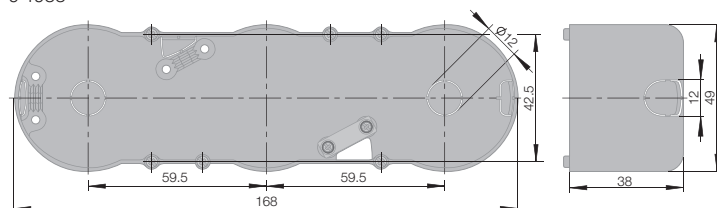
9 1915 01
 9 1915 02



9 1911 ..
 9 1912 ..



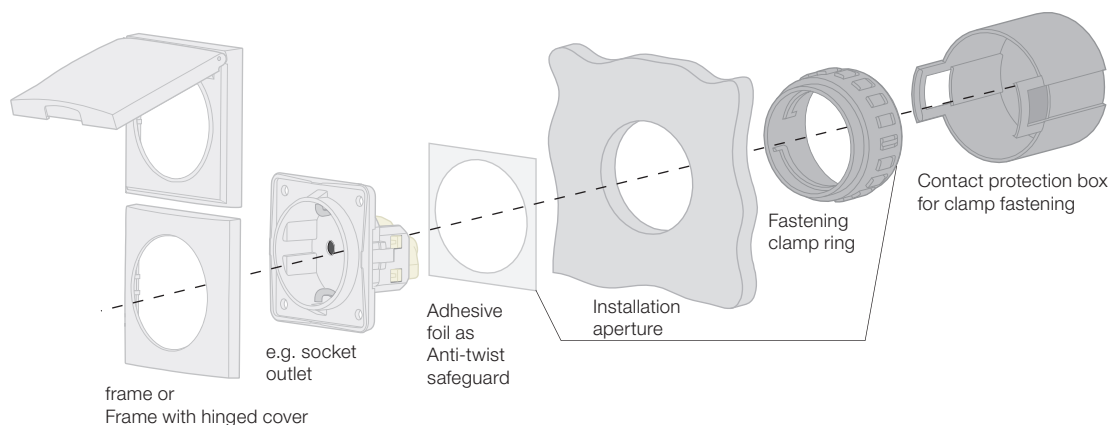
9 1933



i The strain reliefs are not suitable for flat hose lines of 0.75 mm².

Mounting with clamp fastening

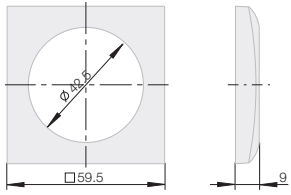
e.g. in a mirror



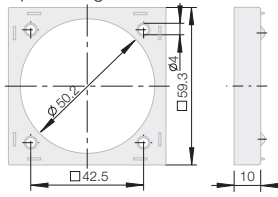
Berker Integro Flow

Dimensional drawings

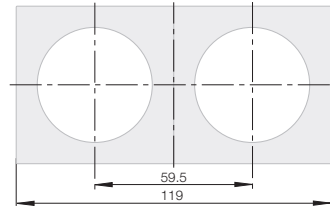
Frame 1gang



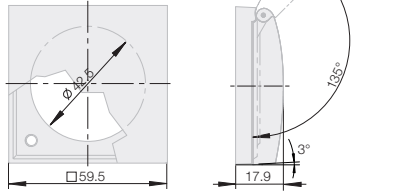
Surface-mounted spacer ring



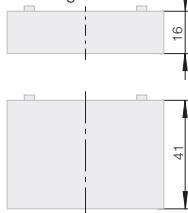
Frame 2gang



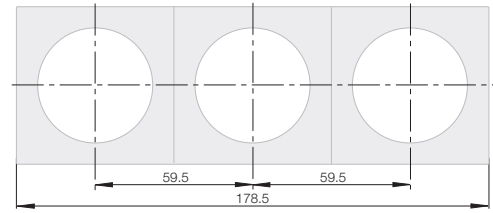
Frame with hinged cover



Surface-mounted housing



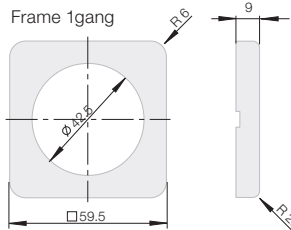
Frame 3gang



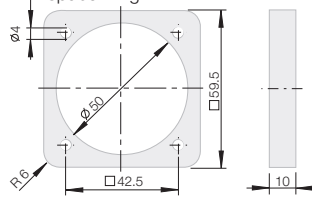
Berker Integro Classic

Dimensional drawings

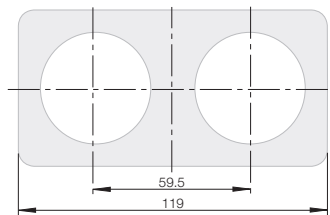
Frame 1gang



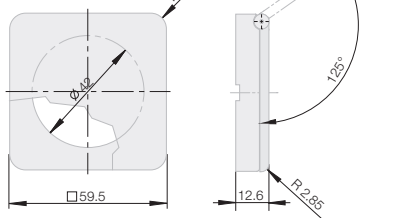
Surface-mounted spacer ring



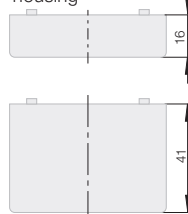
Frame 2gang



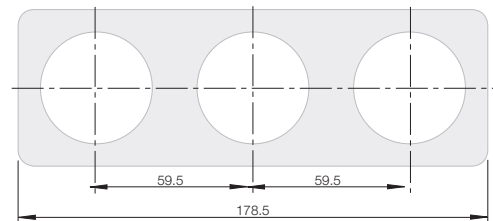
Frame with hinged cover



Surface-mounted housing



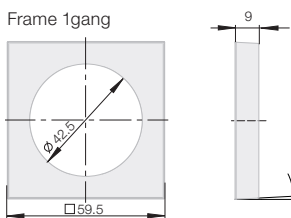
Frame 3gang



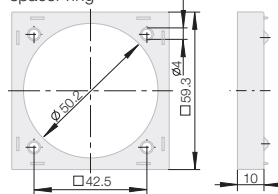
Berker Integro Pure

Dimensional drawings

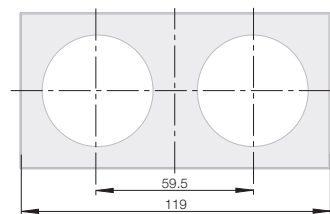
Frame 1gang



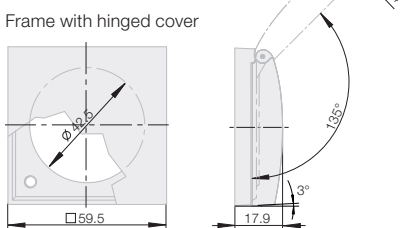
Surface-mounted spacer ring



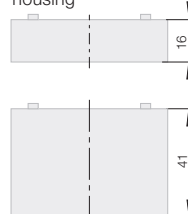
Frame 2gang



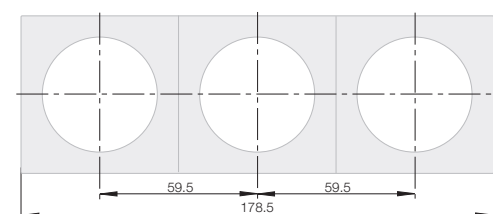
Frame with hinged cover



Surface-mounted housing

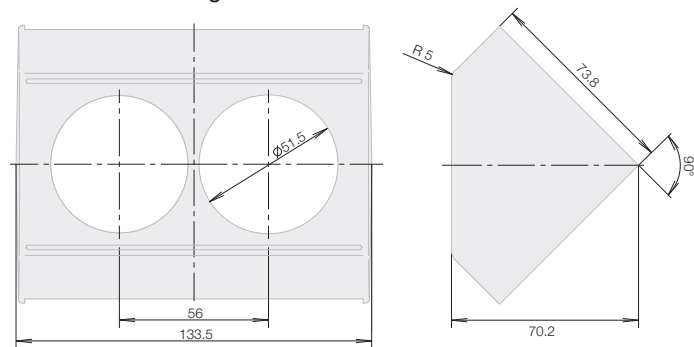


Frame 3gang



Berker TWIN-Box

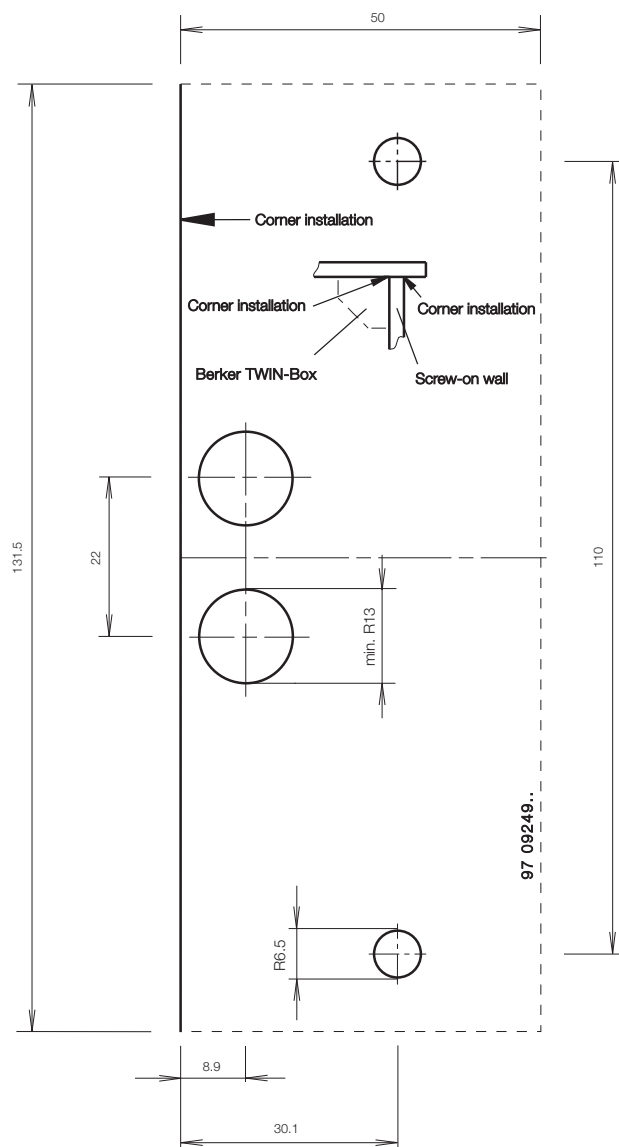
Dimensional drawings



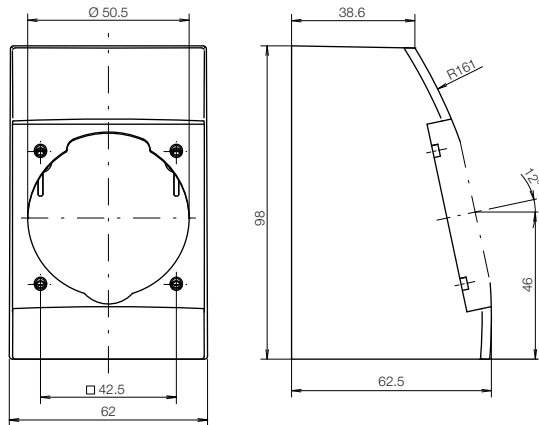
Twin-box Combination	Lead (Type H05VV-F)			Light fitting cable (Type H05VV-F)		
	Number of wires	Cross section	Length	Number of wires	Cross section	Length
1948 02	3	1.5 mm ²	1.5 m	-	-	-
1948 08	3	1.5 mm ²	1.5 m	2	0.75 mm ²	1.5 m
1948 12	4	1.5 mm ²	1 m	2	0.75 mm ²	1.5 m
1948 13	3	1.5 mm ²	1.5 m	2	0.75 mm ²	1.5 m
1948 14	3	1.5 mm ²	1.5 m	2	1.5 mm ²	1.5 m
1948 16	3	2.5 mm ²	1.5 m	3	2.5 mm ²	1.5 m
1948 17	3	1.5 mm ²	1.5 m	3	0.75 mm ²	1.5 m
1948 18	3	1.5 mm ²	1.5 m	-	-	-
1948 19	3	2.5 mm ²	1.5 m	-	-	-
1948 20	3	1.5 mm ²	1.5 m	2	0.75 mm ²	1.5 m
1948 21	3	1.0 mm ²	1.5 m	-	-	-
1948 22	3	1.5 mm ²	1.0 m	-	-	-
1948 23	3	1.5 mm ²	1.0 m	-	-	-
1948 24	3	1.5 mm ²	1.0 m	-	-	-
1948 25	3	2.5 mm ²	1.5 m	-	-	-
1948 26	3	2.5 mm ²	1.5 m	3	1.5 mm ²	1.5 m
1948 27	3	1.5 mm ²	1.5 m	3	1.5 mm ²	1.5 m
1948 28	3	2.5 mm ²	1.5 m	-	-	-
1948 29	3	1.5 mm ²	1.5 m	-	-	-
1948 30	3	1.5 mm ²	1.5 m	-	-	-

Table 3: TWIN-Box pre-assemblies

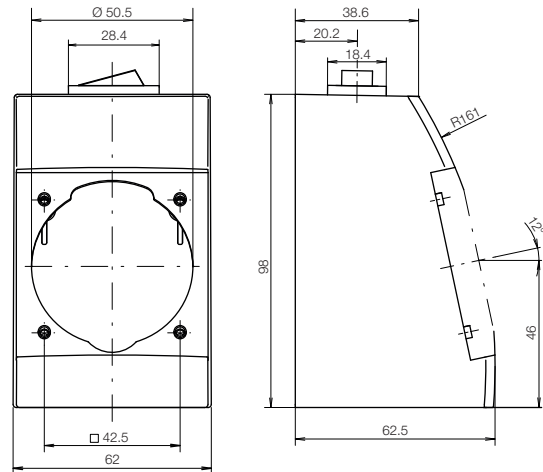
TWIN-Box assembly aid



Integro Box - assembly set



Integro Box - assembly set with on/off switch



Integro Box - Installation instructions

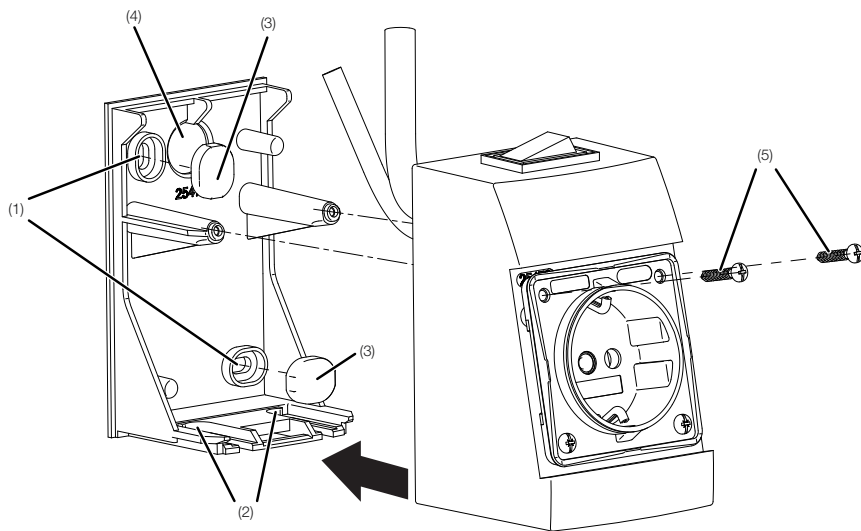


Figure 1: Lower part and cover

- 1 Screw holes for mounting on mirror cabinet rear panel
- 2 Screw holes for mounting on mirror cabinet floor
- 3 Protection covers
- 4 Cable entry
- 5 Screws (supplied)
- 6 Fastening points for mounting the complete device

Mounting Integro Box

- Fasten lower part of the Integro Box to the mirror cabinet rear panel using suitable screws (1).
 - Cover screw holes using the protective covers supplied (3).
- or
- Fasten lower part of the Integro Box to the mirror cabinet floor using suitable screws (2).
 - Insert cables through the opening provided (4).
 - Push cover onto the lower part until it engages.
 - Fasten cover to the lower part using the screws supplied (5).

The Integro Box can also be screwed to the rear panel of the mirror cabinet in assembled state using the fastening points (6) provided. Suitable screws are available upon request.

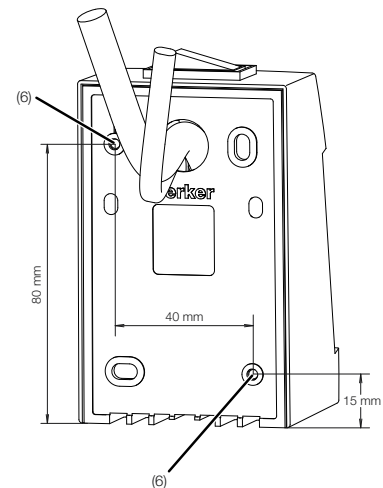


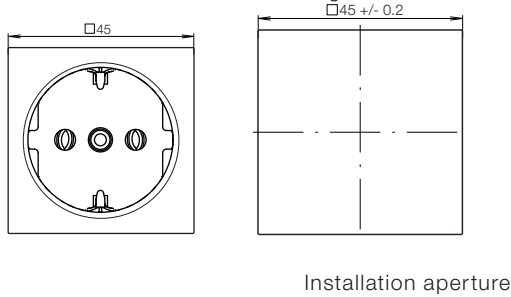
Figure 2: Dimensions for rear mounting of the complete device

SYSTO

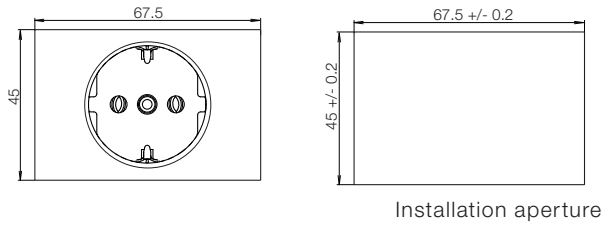
Module inserts

i The module inserts are snapped into place in the installation opening using the "SNAP-IN method" and can thus be installed without the need for tools.

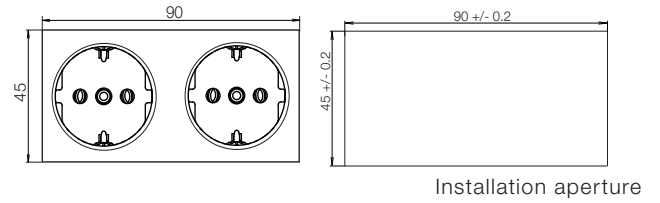
**Built-in SCHUKO socket outlet
SNAP IN 4.6 mm, 1 module unit**
- for installation in cable trunkings



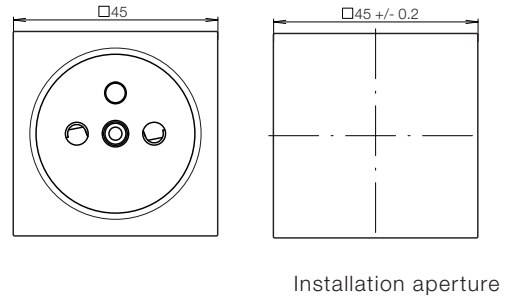
**Built-in SCHUKO socket outlet
SNAP IN 4.6 mm, 1.5 module units**
- for installation in cable trunkings



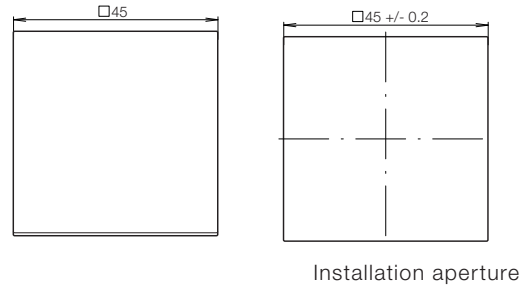
**Built-in SCHUKO double socket outlet
SNAP IN 4.6mm, 2 module units**
- for installation in cable trunkings



**Built-in socket outlet with earthing contact
SNAP IN 4.6 mm, 1 module unit**
- for installation in cable trunkings



**Built-in change-over switch
SNAP IN 4.6 mm**
- for installation in cable trunkings

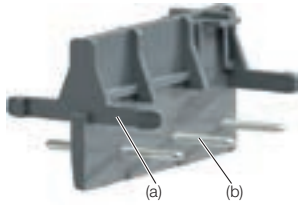


Installation of several socket outlets via connection adapter

Several socket outlets have to be connected via a connection adapter (order no. WS120).

The connection adapter is used for quick installation for the following types:

- WS121, 121E, 121N, 121V
- WS122, 122E, 122N, 122V
- WS172, 172E, 172N, 172V



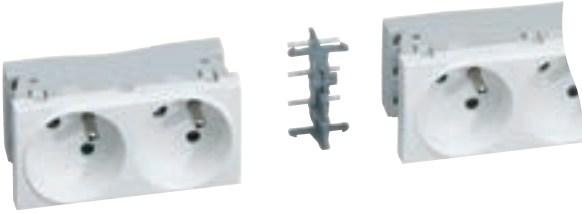
The connection adapter is inserted into the plug-in terminals of the socket outlet with its contact pins.

The connection bridges must snap into place.

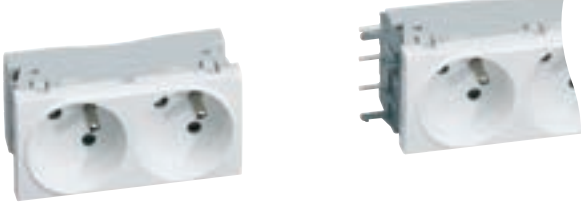
- (a) Connection pin bridge
- (b) Contact pin

Installation

Only in the first socket outlet module is the connection cable inserted into the plug-in terminals.



- Insert the connection adapter into the plug-in terminals of the socket outlet module in the correct position.
- i** Pay attention to correct polarity (labelling of the terminals).
- Insert connection adapter with socket outlet module into the plug-in terminals of the next socket outlet module in the correct position.



Dismantling

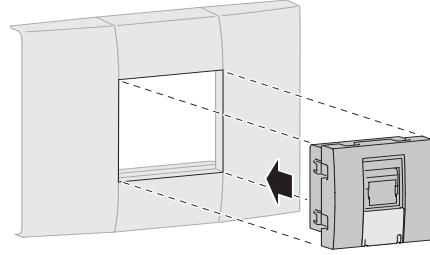
! Before dismantling, make sure that no voltage is present. Cover all live parts.

- To dismantle or separate the socket outlet modules, push in the connection bridges on both sides using a slot screwdriver.
- Pull socket outlet modules apart.



Installation in installation aperture

- Prepare the installation opening for the corresponding module.
- Connect module.
- Snap module into place in the installation opening (example: FCC module built-in data socket).

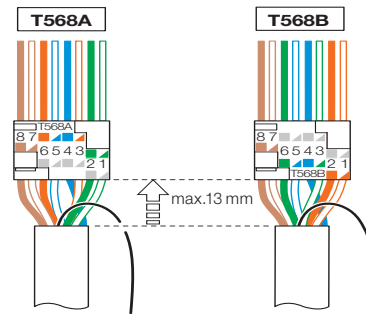


Data communication technology Connection technology

There are two types of connection variants in the data communication:

- T568 A
- T568 B

The difference between both variants lies in the assignment of the green/green-white and orange/orange white wire pair.

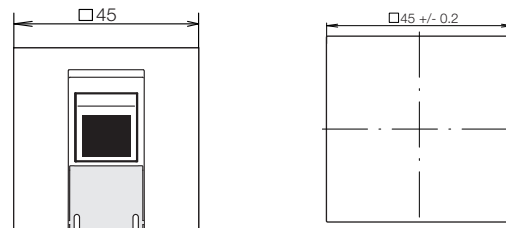


- i** The twisted pair wires (twisted pair) must not be drilled more than 13 mm, as otherwise the transmission properties will change.

In the case of shielded cables, apply the shield.

i

FCC socket outlet 8pole shielded, cat.6 SNAP IN 4.6 mm

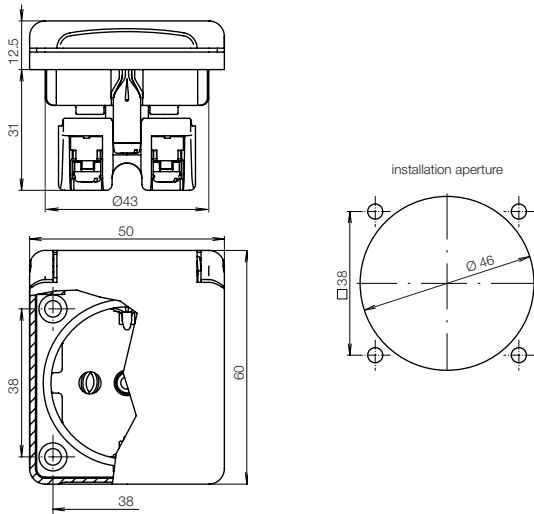


BUILT-IN SCHUKO SOCKET OUTLETS
BUILT-IN SOCKET OUTLETS

Built-in socket outlets

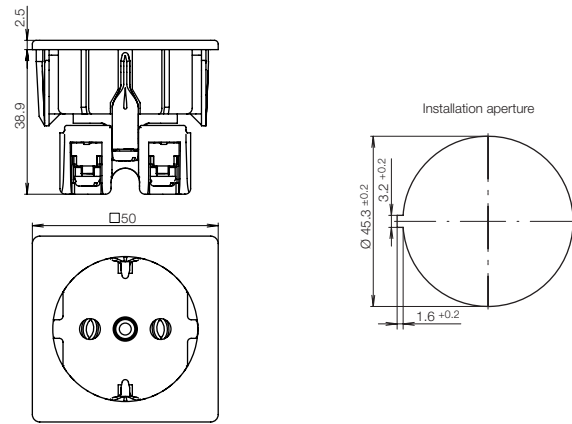
Built-in SCHUKO socket outlets

Built-in SCHUKO socket outlet with hinged cover 50 x 60 mm



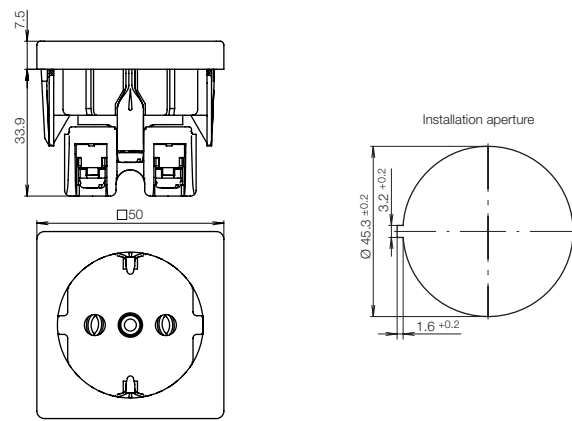
Built-in SCHUKO socket outlet with centre plate 50 x 50 mm, SNAP IN

- for different installation wall thicknesses



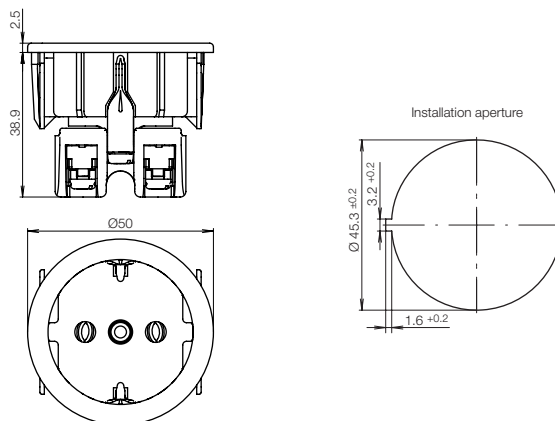
Built-in SCHUKO socket outlet with centre plate 50 x 50 mm, SNAP IN 0.6 - 1.5 mm

- installation depth 33.9 mm

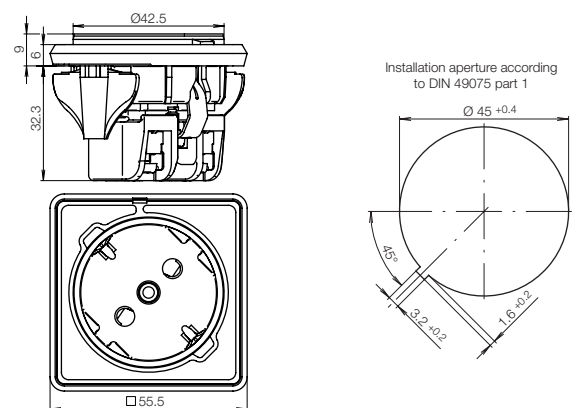


Built-in SCHUKO socket outlet with centre plate Ø 50 mm, SNAP IN

- for different installation wall thicknesses

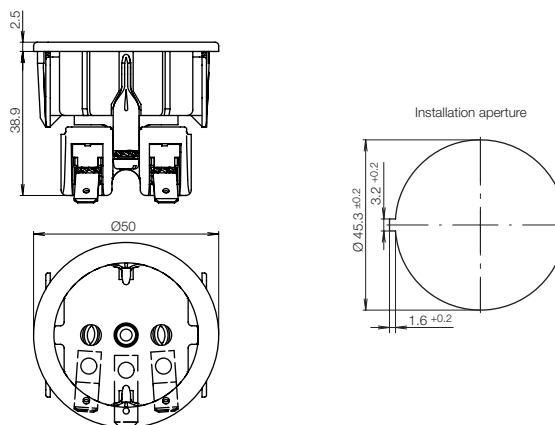


Built-in 45° SCHUKO socket outlet SNAP IN 1.3 - 2.2 mm

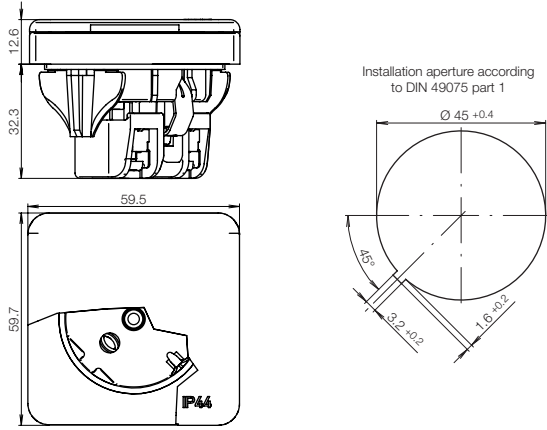


Built-in SCHUKO socket outlet with centre plate Ø 50 mm, SNAP IN 0.6 - 1.5 mm

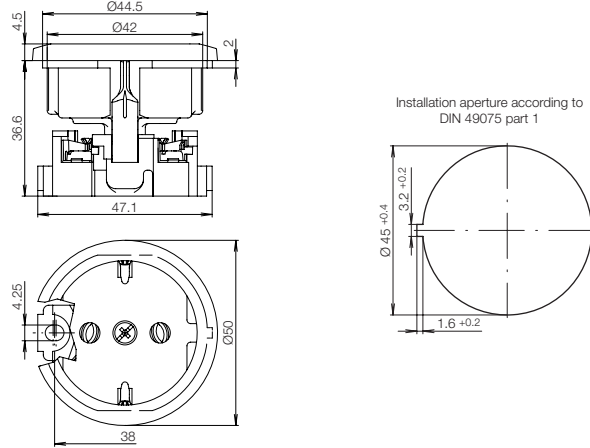
- with flat connection



Built-in SCHUKO socket outlet 45° with hinged cover, SNAP IN 1.3 - 2.2 mm

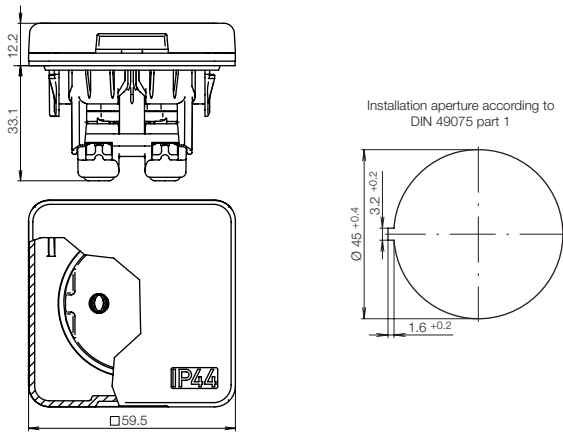


Built-in SCHUKO socket outlet with centre plate Ø 50 mm

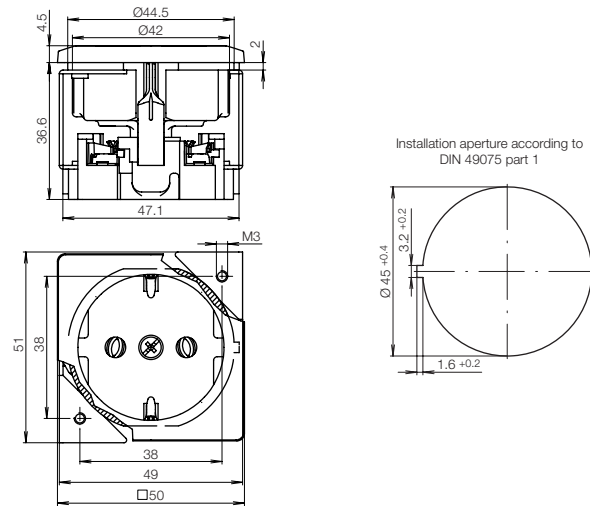


Built-in SCHUKO socket outlet with hinged cover 59.5 x 59.5 mm, SNAP IN, IP44

- for different built-in wall thicknesses

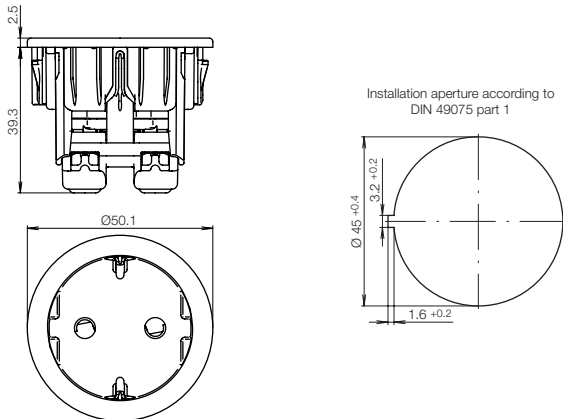


Built-in SCHUKO socket outlet with centre plate 50 x 50 mm and support bracket



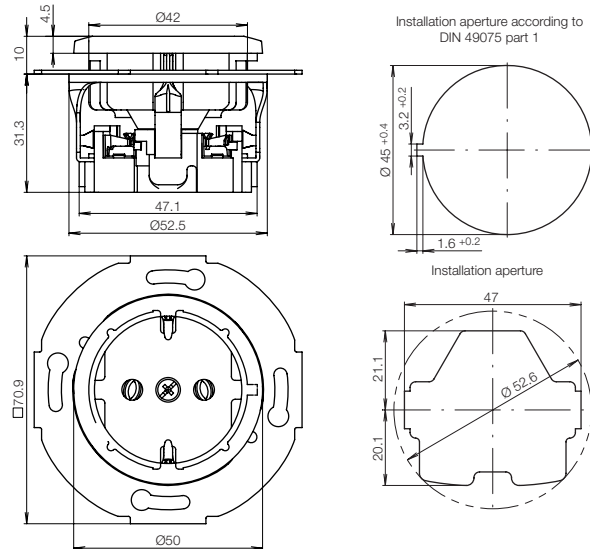
Built-in SCHUKO socket outlet with centre plate Ø 50 mm, SNAP IN

- for different built-in wall thicknesses



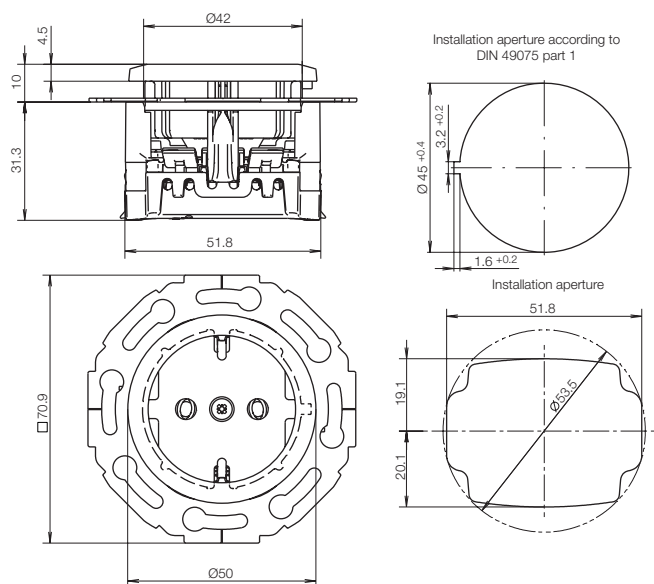
Built-in SCHUKO socket outlet with supporting ring, centre plate Ø 50 mm

- with screw terminals

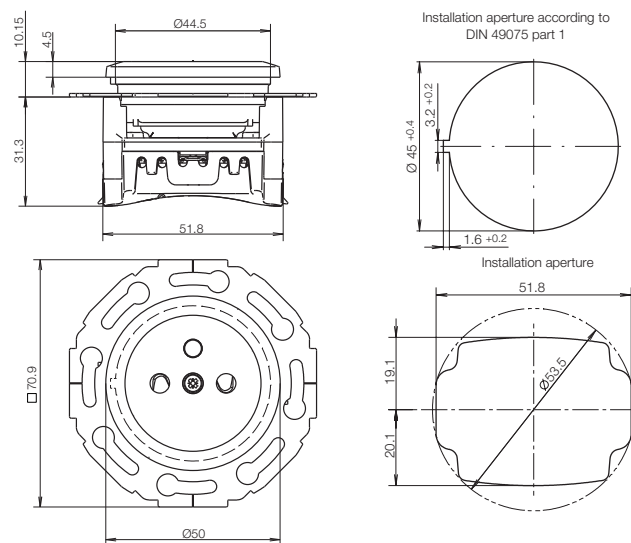


BUILT-IN SCHUKO SOCKET OUTLETS
BUILT-IN SOCKET OUTLETS WITHOUT EARTHING CONTACT

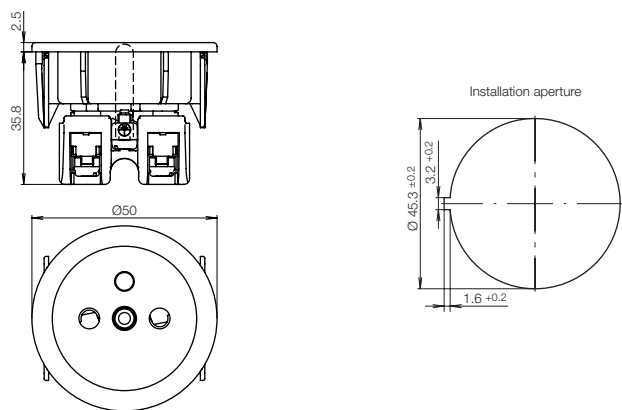
Built-in SCHUKO socket outlet with supporting ring, centre plate Ø 50 mm
 - with plug-on terminals



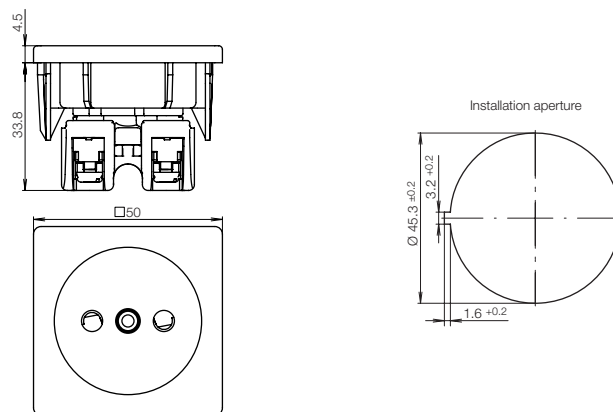
Built-in socket outlet with earthing pint and supporting ring, centre plate Ø 50 mm



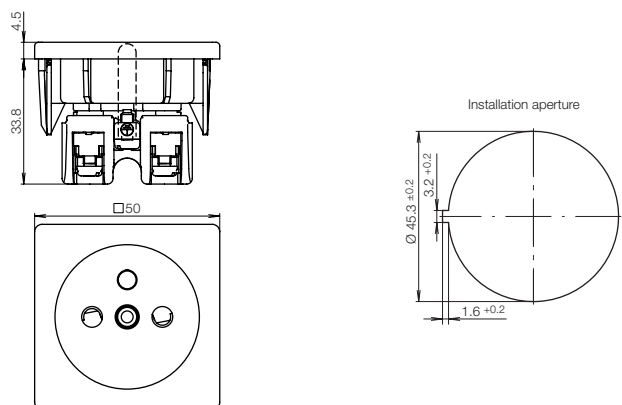
Built-in socket outlets with earthing pin
Built-in socket outlet with earthing pin and centre plate Ø 50 mm, SNAP IN
 - for different built-in wall thicknesses



Built-in socket outlet without earthing contact
Built-in socket outlet without earth contact with centre plate 50 x 50 mm, SNAP IN 3 mm



Built-in socket outlet with earthing pin and centre plate 50 x 50 mm, SNAP IN
 - for different built-in wall thicknesses



Test marks and administrative marks



VDE test mark, all items in the Berker range, for which this test mark is possible, bear this mark.



Netherlands



Austria



Norway



France



Denmark



Italy



Sweden



Canada



Belgium



USA



Poland



Finland



Switzerland



ENEC stands for European Norms Electrical Certification. The number following the mark indicates the certifying body. For instance, VDE: 10



Verification of increased voltage resistance capability for connecting devices to DIN 49400 and 49441, installation equipment made of shock-proof impact material for greater mechanical stress conditioning.



Safety power supply (diesel unit VDE 0107: 1994-10), designated by green Centre plate



Additional safety power supply (battery supported VDE 0170: 1994-10), designated by orange centre plate



Furniture construction/installation Devices can be mounted on surfaces with unknown flammability properties.



Flame resistant according to VDE 0606 T1: 1984-11, meets the requirements of the association of property insurers for mounting on wood.



All items in this catalogue falling under CE regulations bear the CE marking on the packaging label and on the product itself.

RAL

Determination of colour gradations of Deutsches Institut für Gütesicherung und Kennzeichnung e.V. (German Institute for Quality Assurance and Certification)

EDV

Electronic data processing, designated for special circuits by red centre plate.

Trademarks/brands



Registered trademark of SCHUKO-Warenzeichenverband (SCHUKO trademark association) designates socket outlets according to DIN VDE 0620-1 and DIN 49440. Terminals are also suitable as connection terminals.



Registered trademark of Warenzeichen-Verband EDELSTAHL ROSTFREI (stainless steel trademark association).



Registered trademark of the KNX Association cvba, Brussels.



Registered trademark of PERILEX-Gemeinschaft e.V.

Protection classes/types



VDE radio suppression seal



Protection class 2 insulation



(international protection) Designated according to DIN 40050, IEC 60529, the degree of protection of a device to prevent ingress of foreign objects and moisture.

IP44

Protection against contact between energised parts and wires or similar larger than 1 mm diameter and splashing water from all directions. (contact-protected from 1 mm, splash-protected)

IP55

Protection against harmful dust deposits and against water jets from a nozzle directed towards the housing from all directions. (protected from dust and water jets).

IP66

Protection against dust deposits and strong water jets from all directions. (dustproof, waterproof).



Protection Class III



Explosion protection, zone 11



IP44-compatible, degree of protection IP44 can be achieved only by using use of the relevant sealing set.

Application designations/symbols



Incandescent lamp



Fluorescent lamp



12 V halogen lamp



Retrofit LED



Energy saving lamp



230 V halogen lamp



Electronic transformer



Conventional transformer



Hollow-wall box



Information designations with page reference for special technical information.



Designation for -25 °C to 40 °C temperature range.



X = fluorescent lamp rated current



see p. i



Flush-mounted controller, installation height 1.1 m



Flush-mounted controller, installation height 2.2 m



Flush-mounted controller, installation height 2.5 m



Relay with microcontact Opening diameter



Semiconductor circuit element



Earthing

Material characteristics

Berker products do not contain any materials made of PVC or halogen, with the exception of the sealing membrane and the contact protection boxes of the built-in system.

The technical specifications are not binding. The operating manual supplied with the products must be observed in all cases.

Illustrations are not binding, especially with regard to colour, size, equipment, performance of products and switch and connection diagrams.

We reserve the right to make technical and formal changes to our products in the interest of technical progress.

General Terms and Conditions of Business (status 3/04)

(on the basis of the ZVEI e.V. recommendation on conditions)

1. General provisions

The written declarations by both parties are deemed authoritative in respect of the scope of the deliveries or services (hereinafter Deliveries). In addition these General Terms and Conditions of Business apply. General terms and conditions of the Buyer shall only apply insofar as the Supplier or the party rendering the service (hereinafter Supplier) has expressly approved of such conditions in writing. In other respects the regulations of Verband Deutscher Elektrotechniker apply insofar as they are taken into consideration in respect of the safety of deliveries or services.

These General Terms and Conditions of Business also apply to all future transactions with the Buyer.

The Supplier reserves unrestricted ownership and copyright utilisation rights to cost estimates, drawings and other offer documents (hereinafter Documents). These may not be made available to third parties without approval by the Supplier and on request they are to be returned without delay if the order is not placed. This applies accordingly to the Buyer's documents. However, these may be made available to third parties to whom the Supplier is permitted and intends to assign deliveries.

The Buyer enjoys the non-exclusive right to use standard and individual software with the agreed performance factors in an unaltered form on the agreed equipment.

The Buyer may not assign or make this software available to third parties for use. Partial deliveries are permitted. In the case of order-related production, excess or short deliveries in each case of 10% are permitted.

2. Securities

The Buyer's creditworthiness is the prerequisite for an obligation to deliver. As a general rule the Supplier is entitled to demand advance payments, securities or cash payments insofar as it considers this necessary. If the Buyer remains in arrears in respect of honouring its payment obligations, or if it does not answer questions regarding its creditworthiness, the Supplier reserves the right to withdraw from the contract and, if applicable, demand claims for damages as a result of non-performance. In such cases goods that have already been delivered are to be returned to the Supplier in their original condition. Furthermore in the event of enforcement by writ in respect of the Buyer's assets, composition or bankruptcy proceedings, discontinuation of business operations or the transfer of a business as well as seizure, all the Supplier's accounts receivable shall fall due without delay. The Supplier is to be informed without delay of any considerable deterioration in the financial position (e.g. enforcement by writ, discontinuation of payment, composition, bankruptcy, discontinuation of business operations, the transfer of a business, seizure or the transfer of goods, inventories or outstanding items as a guarantee).

3. Delivery periods

Details in the confirmation of order are authoritative in respect of the delivery period. Adherence to the period is conditional on the following: the timely receipt of all documents, licences and releases to be obtained by the Buyer; self-deliveries; adherence to the terms of payment specified by the Supplier, and other obligations. The period shall be extended accordingly if these basic requirements are not met in good time.

The period is deemed adhered to if the goods have been dispatched, or collected, within the agreed delivery period. If the delivery is delayed for reasons for which the Buyer is responsible, the time agreed upon shall be deemed complied with on notification of the readiness to dispatch. If the non-adherence to the period for deliveries is proven to be attributable to force majeure, industrial disputes or unforeseeable obstructions, the period shall be extended accordingly.

In the event that the agreed or extended delivery period is not adhered to, the Buyer may, insofar as it furnishes proof that it has suffered damage as a result of the delay, demand compensation for delayed performance for each full week of delay from % to a total of 5% of the value of the part of the delivery that is delivered late. Further-reaching claims for compensation on the part of the Buyer are excluded. This does not apply insofar as mandatory liability

applies in cases of intent or gross negligence. This shall not affect the Buyer's right to withdraw following the lapse of a reasonable extension granted to the Supplier.

4. Passing of risk

Risk shall also pass to the Buyer in the case of a carriage-paid delivery if the goods have been dispatched or collected. Shipping shall be carried out according to the Buyer's instructions or according to the Supplier's best judgement without responsibility for the most cost-effective forwarding. At the request, and cost, of the Buyer, the Supplier shall insure the consignment against customary transport risks. If the shipping is delayed at the Buyer's request, or for reasons for which the Buyer is responsible, the risk shall pass to the Buyer from the day on which the goods are ready for dispatch. In such a case the Supplier shall be under obligation to bring about the insurance policies requested by Buyer at the Buyer's cost.

If goods are taken back, the Buyer shall bear the risk up to the receipt at the Supplier's premises.

5. Reservation of title

The delivery items (reserved goods) shall remain the Supplier's property until all the claims against the Buyer to which it is entitled from the business association are met. Prior to this pledging or ownership transfer by way of security are prohibited.

The Buyer may only sell the reserved goods, regardless of their condition, to resellers during the ordinary course of business subject to the proviso that it is not in arrears with payments due to the Supplier and that it assigns to the Supplier at this point in time claims, including all accessory rights, to which it is entitled from such a sale. The assignment of such claims is restricted to the amount of all the claims to which the Supplier is entitled resulting from the business association. The Buyer is also entitled to collect these claims following such an assignment. This shall not affect the Supplier's authority to collect such claims. On request the Buyer is to disclose to the Supplier the amounts and debtors in relation to the assigned claims, to make available to the Supplier without delay all documents required for collection, and to inform the debtor in writing of the assignment.

Treating and finishing the reserved goods shall be carried on behalf of the Supplier without the Supplier being under obligation. If the goods are combined or blended with other items, the Buyer shall assign to the Supplier at this point in time its property or co-ownership rights to the new items. It shall store these with commercial diligence on behalf of the Supplier. In the event of a sale of the new items, the Buyer hereby assigns to the Supplier its claims and accessory rights resulting from such a sale for safety's sake. If the Buyer finishes the goods with other goods that are not the Supplier's property, the Supplier shall be entitled to part-ownership of the new item in proportion of the value of the reserved goods.

In the case of conduct on the part of the Buyer in breach of contract, in particular in the case of default in payment, the Supplier shall be entitled to take back the reserved goods. At the Supplier's request the Buyer shall be under obligation to surrender without delay. Taking goods back and the seizure of the reserved goods by the Supplier do not constitute any kind of declaration of withdrawal.

The Buyer is to undertake all the necessary measures at its own cost to avoid a detrimental effect on or the loss of the rights to the delivered goods to which the Supplier is entitled. The Buyer is to ward off or inform the Supplier without delay of cases of seizure or other intervention by third parties. The Buyer shall be responsible for possible disadvantages it suffers as a result of it not observing this obligation.

6. Prices

The prices are stated in euros. They are ex works prices and exclude packaging and are to be construed plus the respective valid statutory value added tax.

In the case of goods purchased in a single order in excess of € 1,000.00 we shall deliver free of charge, carriage paid, to the receiving station excluding packaging. In the case of such an order in excess of € 2,500.00 we shall deliver free of charge, carriage-paid, to the receiving station including packaging.

7. Terms and conditions of payment

Payments are to be effected within 30 days from the date of invoice without any deduction ex paying agent of the Supplier. A trade discount of 2% shall be granted in the case

of payment within 10 days following the date of invoice. Payment arrears or payment by bill of exchange rule out the deduction of a trade discount. Cheques shall only be accepted subject to the customary reservations, while bills of exchange shall only be accepted following a special agreement and if they comply with the acquisition conditions of the European Central Bank (ECB). Discount charges, fees and tax on notes and bills of exchange shall be borne by the Buyer. These are to be paid upon issuing the bill of exchange to the Supplier. In the case of all kinds of payment the day of performance shall be deemed the day on which the Supplier can dispose of the amount.

In the event that the term of payment is exceeded, or the delivery is delayed, at the Buyer's request by more than 30 days once the goods are ready for dispatch, the Supplier shall be entitled, without the necessity of issuing a special warning, to charge interest on arrears of 3% p.a. above the respective main refinancing rate of the ECB as from the due date, at least, however, amounting in each case to the interest rates charged by major Rhine-Westphalian banks for unsecured credits. The Supplier reserves the right to assert a claim on the grounds of greater damage. In other respects in the case of default in payment the Supplier shall be entitled to demand the surrender of the goods and claim for damages as a result of non-performance.

The Buyer may only set off undisputed or res judicata claims against the Supplier's claims.

8. Liability for defects

The Supplier guarantees that the sold goods do not contain defects at the time of the passing of risk. Insofar as parts proven to have been procured from the Supplier contained defects prior to the passing of risk, the Supplier shall be liable to the Buyer as follows:

1. The Buyer shall only be entitled to the warranty rights below if it has met in a proper manner the requirement to give notice of defects incumbent upon the Buyer by way of written notification of the identified defects, and it has returned to the Supplier the goods for which a complaint has been lodged.
2. All the parts or services whose usefulness is considerably impaired within 12 months, without consideration given to the operating period, calculated from the day on which the risk passes, as a result of an incident prior to the passing of risk, are to be subsequently improved at the Supplier's discretion free of charge, or new ones are to be supplied or new services are to be rendered.
3. If the Buyer provides notification of defects in relation to the delivered goods or service, this shall only constitute a right to retain payment if the existence of a defect is res judicata or is not disputed by the Supplier. In this respect the retained payment must be commensurate with the respective faults.
4. The Buyer is to use its reasonable discretion to grant the Supplier appropriate time and opportunity to rectify defects. If it refuses to do this the Supplier shall be released from the liability for defects.
5. If the Supplier allows a reasonable extension granted to the Supplier to lapse without rectifying the defect, or if the subsequent improvement is impossible or the Supplier refuses this, the Buyer may assert a right to reduce the purchase price. The Buyer may also demand conversion if an agreement in respect of abatement is not reached between the Buyer and Supplier.

6. The Buyer's right to assert claims resulting from defects shall in any case fall under the statute of limitations in 6 months from the time of notification of defects. However, this shall not be before the warranty has elapsed. If no agreement is reached within this period, the Supplier and Buyer may agree upon an extension of this period of limitation.

7. The liability for defects does not apply to natural wear-and-tear and furthermore not to damage that occurs following the passing of risk as a result of faulty or negligent treatment, excessive or improper use, unsuitable operating resources, faulty construction work and similar external influences that were not presupposed as per agreement, and non-reproducible software faults. If the Supplier is rendered liable for damage as a joint debtor by a third party for one of these reasons, the Buyer irrevocably assumes the liability at this point in time by way of internal arrangements.

If the Buyer or third parties carry out improper alterations or repair work, no warranty

shall apply to these and the consequences resulting from them.

8. The warranty period for subsequent improvements and replacement deliveries is 3 months. It shall apply at least until expiry of the warranty period for the goods for which a complaint has been lodged.

9. Further-reaching claims on the part of the Buyer against the Supplier and its vicarious agents are excluded, in particular claims for compensation of damage not caused to the delivery item. This does not apply insofar as mandatory liability applies in accordance with the Product Liability Act, with the restriction in accordance with sub-section 7, or in cases of intent, gross negligence or the lack of warranted characteristics

10. All kinds of liability are excluded in the case of defects in software products. It is expressly stated that no warranty is provided for functions, suitability, usefulness, non-violation or other expected characteristics. Accordingly liability for any kind of damage or consequential damage caused by the software in respect of the user or third parties is excluded. If mandatory legal norms do not allow for this comprehensive exemption from liability for software in certain cases, it shall nevertheless remain in place for all other cases.

9. Industrial property rights, copyrights

1. Insofar as a third party lodges justified claims against the Buyer as a result of violation of an industrial property right /copyright (hereinafter Copyrights) by way of products delivered by the Supplier and used as per agreement, the Supplier shall be liable to the Buyer as follows:

- a) The Supplier shall, at its own discretion, bring about a utilisation right for the product, alter the product or replace it or if this is not possible under reasonable conditions take back the product subject to reimbursement of the purchase price. Further-reaching claims against the Supplier are excluded.
- b) The aforementioned obligation of the Supplier shall only apply if the Buyer informs the Supplier without delay of the claims lodged by third parties; does not recognise a violation of industrial property rights, and the Supplier is reserved the right to conduct all defensive measures and hold composition negotiations.

2. Claims by the Buyer shall be excluded insofar as it is responsible for the violation of an industrial property right or if such a violation is caused by the Buyer's special parameters or unforeseeable application or alteration or blending with other products.

10. Impossibility, contractual adjustment

1. If it becomes impossible for the Supplier to honour the delivery incumbent upon the Supplier for reasons, which are its responsibility, the Buyer shall be entitled to request as compensation up to 10% of the value of the products that have not been delivered.

2. Insofar as events outside the Supplier's sphere of influence considerably change the economic significance or the content of the delivery, of have an effect on the Supplier's operations, the Supplier shall be entitled to withdraw from the contract or to adjust the contact in agreement with the Buyer.

11. Other claims for damages

The following claims for damages lodged by the Buyer are excluded: claims on the grounds of a positive breach of contract, violation of obligations in the case of contractual negotiations and on the basis of unlawful acts. This does not apply insofar as mandatory liability applies by law, in particular in the case of intent, gross negligence and the lack of warranted characteristics.

12. Place of jurisdiction

Hagen i.W. is deemed the place of general jurisdiction for all disputes resulting directly or indirectly from the contractual relationship. German law applies to the contractual relations. The Hague Convention of 01.07.1964 and the UN Sales Convention of 11.04.1980 shall not be applied.

13. Binding force of contract

Even in the case of the legal invalidity of individual items, the binding force of the contract shall further apply to the other items of the contract.

ORDER NO.	PAGE	ORDER NO.	PAGE	ORDER NO.	PAGE	ORDER NO.	PAGE
1011 30 04	122	1979 00 09	100	4788 36	110	8 1974 25 06	47
1011 39 04	122	1979 00 58	100	4788 69	109	8 1974 25 68	47
1011 64 14	122	1979 01 09	100	4880 69	112	8 1977 25 02	54
1011 66 16	122	1979 01 58	100	6141 93 09	114	8 1977 25 03	54
1011 69 09	122	1979 10 09	101	6741 28 09	113	8 1977 25 04	54
1011 89 89	122	1979 10 58	101	6741 91 05	112	8 1977 25 05	54
1011 99 09	122	1979 11 09	100	6741 92 09	113	8 1977 25 06	54
1012 30 04	123	1979 11 58	100	6741 94 05	112	8 1977 25 76	54
1012 39 04	123	1980	31	6741 94 09	112	8 2601 25 01	25
1012 64 14	123	1984	31	6763 79 10	113	8 2601 25 03	25
1012 66 16	123	1985	31	7 4296 35	106	8 2601 25 05	25
1012 69 09	123	1989	29	8 1152 25 59	57	8 2601 25 07	25
1012 89 89	123	1990	29	8 1152 25 69	57	8 2601 25 09	25
1012 99 09	123	1992	29	8 1152 59	66	8 2602 25 01	26
1013 30 04	123	1993	29	8 1819 25 15	53	8 2602 25 03	26
1013 39 04	123	1994	29	8 1826 07	62	8 2602 25 05	26
1013 64 14	123	2880 70 04	121	8 1826 11	62	8 2602 25 07	26
1013 66 16	123	2880 70 09	121	8 1826 15	62	8 2602 25 09	26
1013 69 09	123	2880 89 16	121	8 1826 25 07	52	8 3651 05	32
1013 89 89	123	2880 89 89	121	8 1826 25 11	52	8 3651 09	32
1013 99 09	123	2880 99 09	121	8 1826 25 15	52	8 3651 25 01	32
1313 70 03	122	2882 14 04	122	8 1826 25 19	52	8 3651 25 05	32
1313 70 04	122	2882 16 06	122	8 1826 25 76	52	8 3651 25 07	32
1313 70 06	122	2882 70 03	122	8 1827 01	62	8 3651 25 09	32
1313 70 09	122	2882 70 04	122	8 1827 05	62	8 3652 25 09	34
1323 70 03	123	2882 70 06	122	8 1827 07	62	8 3655 25 01	36
1323 70 04	123	2882 70 09	122	8 1827 09	62	8 3655 25 05	36
1323 70 06	123	2882 89 16	122	8 1827 25 01	52	8 3655 25 07	36
1323 70 09	123	2882 89 89	122	8 1827 25 05	52	8 3655 25 09	36
1333 70 03	123	2882 99 09	122	8 1827 25 07	52	8 3656 09	33
1333 70 04	123	2884 14 04	121	8 1827 25 09	52	8 3656 25 05	33
1333 70 06	123	2884 16 06	121	8 1828 01	63	8 3656 25 07	33
1333 70 09	123	2884 70 03	121	8 1828 05	63	8 3656 25 09	33
1363 70 03	123	2884 70 04	121	8 1828 07	63	8 3664 25 01	36
1363 70 04	123	2884 70 06	121	8 1828 09	63	8 3664 25 05	36
1363 70 06	123	2884 70 09	121	8 1828 25 01	54	8 3664 25 10	36
1363 70 09	123	2884 89 16 #	121	8 1828 25 05	54	8 3664 25 18	36
1373 70 03	123	2884 89 89	121	8 1828 25 07	54	8 3664 25 28	36
1373 70 04	123	2884 99 09	121	8 1828 25 09	54	8 3664 25 45	36
1373 70 06	123	4175 08	109	8 1828 25 95	55	8 3664 25 68	36
1373 70 09	123	4175 09	109	8 1828 25 97	55	8 3671 09	37
1813	46	4177 08	111	8 1828 25 99	55	8 3671 25 05	37
1813 05	46	4180 31	111	8 1828 75	64	8 3671 25 07	37
1813 09	46	4180 32	111	8 1828 95	64	8 3681 05	80
1948 02	89	4180 37	111	8 1828 97	64	8 3681 09	80
1948 08	91	4180 69	111	8 1828 99	64	8 3695 25 24	40
1948 12	92	4181 02	107	818 36	45	8 3697 25 78	41
1948 13	92	4181 09	107	8 1836 01	45	8 3699 25 05	40
1948 14	93	4183 02	107	8 1836 02	45	8 3752 05	35
1948 16	94	4183 05	107	818 37	45	8 3752 25 05	35
1948 17	92	4188 02	110	8 1837 01	45	8 3752 25 18	35
1948 18	89	4188 05	110	818 53	56	8 4104 25 06	15
1948 19	90	4188 06	110	8 1915 01	44	8 4121 86	108
1948 20	93	4188 08	110	8 1915 02	44	8 4121 90	108
1948 21	89	4188 09	110	8 1970 25 02	53	8 4121 97	108
1948 22	93	4188 58	108	8 1970 25 03	53	8 4130 06	107
1948 23	90	4189 02	107	8 1970 25 04	53	8 4140 25 06	16
1948 24	94	4189 05	107	8 1970 25 05	53	8 4185 05	12
1948 25	90	4189 06	107	8 1970 25 06	53	8 4185 25	14
1948 26	93	4189 08	107	8 1970 25 76	53	8 4185 25 01	12
1948 27	92	4189 09	107	8 1971 25 05	47	8 4185 25 02	12
1948 28	91	4190 05	110	8 1971 25 17	47	8 4185 25 05	12
1948 29	91	4190 09	110	8 1972 25 01	47	8 4185 25 06	12
1948 30	89	4604	46	8 1972 25 05	47	8 4185 25 21	14
1948 93	94	4637	46	8 1973 25 01	47	8 4185 25 22	14
1948 94	94	4788 16	110	8 1973 25 05	47	8 4185 25 25	14
1948 96	94	4788 19	110	8 1974 25 01	47	8 4185 25 26	14
1948 98	94	4788 26	108	8 1974 25 03	47	8 4188 55	108
1948 99	94	4788 29	108	8 1974 25 05	47	8 4195 05	12

PRODUCT SUMMARY



ORDER NO.	PAGE	ORDER NO.	PAGE	ORDER NO.	PAGE	ORDER NO.	PAGE
8 4195 25 01	12	8 6185 25 05	21	9 1819 25 68	53	9 1827 86	62
8 4195 25 02	12	8 6195 05	21	9 1819 25 70	53	9 1827 87	62
8 4195 25 05	12	8 6195 25 02	21	9 1819 25 74	53	9 1827 88	62
8 4195 25 06	12	8 6195 25 05	21	9 1819 25 76	53	9 1827 91	63
8 4196 05	78	8 6195 25 06	21	9 1819 45	62	9 1827 95	63
8 4196 09	78	8 6249 05	19	918 20	43	9 1827 97	63
8 4296 15	106	8 6249 25 01	19	9 1820 01	43	9 1827 99	63
8 4296 34	106	8 6249 25 05	19	9 1820 02	43	9 1828 01	63
8 4296 36	106	8 6254 25 01	18	9 1820 03	43	9 1828 05	63
8 4296 39	106	8 6254 25 05	18	9 1820 20	43	9 1828 07	63
8 4296 46	109	8 6254 25 07	18	9 1825 06	66	9 1828 09	63
8 4516 25 01	45	8 6254 25 09	18	9 1825 11	66	9 1828 18	63
8 4516 25 05	45	8 6254 25 10	18	9 1825 12	66	9 1828 25 01	54
8 4516 25 07	45	8 6257 25 02	22	9 1825 15	66	9 1828 25 05	54
8 4516 25 09	45	8 6257 25 05	22	9 1825 25 06	57	9 1828 25 07	54
8 4516 25 68	45	8 6262 05	20	9 1825 25 10	57	9 1828 25 09	54
8 4517 05	23	8 6262 25 02	20	9 1825 25 11	57	9 1828 25 10	54
8 4517 25 01	23	8 6262 25 05	20	9 1825 25 12	57	9 1828 25 18	54
8 4517 25 05	23	8 6262 25 06	20	9 1825 25 15	57	9 1828 25 24	54
8 4517 25 07	23	8 6263 25 01	17	9 1825 25 24	57	9 1828 25 28	54
8 4517 25 09	23	8 6263 25 02	17	9 1825 25 68	57	9 1828 25 38	54
8 4519 25 02	27	8 6263 25 13	17	9 1826 07	62	9 1828 25 45	72
8 4519 25 05	27	8 6272 05	19	9 1826 11	62	9 1828 25 68	55
8 4558 25 05	31	9 1151 01	65	9 1826 15	62	9 1828 25 70	54
8 4558 25 07	31	9 1151 05	65	9 1826 18	62	9 1828 25 74	54
8 4558 25 09	31	9 1151 07	65	9 1826 19	62	9 1828 25 76	54
8 4558 25 10	31	9 1151 09	65	9 1826 25 07	52	9 1828 25 78	54
8 4563 25 03	27	9 1151 25 01	57	9 1826 25 10	52	9 1828 25 86	55
8 4563 25 06	27	9 1151 25 05	57	9 1826 25 11	52	9 1828 25 90	55
8 4571 25 01	23	9 1151 25 07	57	9 1826 25 15	52	9 1828 25 91	55
8 4571 25 03	23	9 1151 25 09	57	9 1826 25 18	52	9 1828 25 94	55
8 4571 25 05	23	9 1151 25 10	57	9 1826 25 19	52	9 1828 25 95	55
8 4571 25 07	23	9 1151 25 11	57	9 1826 25 24	52	9 1828 25 97	55
8 4571 25 09	23	9 1151 25 15	57	9 1826 25 28	52	9 1828 25 99	55
8 4572 25 01	24	9 1151 25 17	57	9 1826 25 38	52	9 1828 28	63
8 4572 25 02	24	9 1151 25 19	57	9 1826 25 58	52	9 1828 45	63
8 4572 25 03	24	9 1151 25 20	57	9 1826 25 70	52	9 1828 71	64
8 4572 25 05	24	9 1152 21	66	9 1826 25 74	52	9 1828 75	64
8 4580 25 01	28	9 1152 25	66	9 1826 25 76	52	9 1828 77	64
8 4580 25 03	28	9 1152 25 25	57	9 1826 28	62	9 1828 79	64
8 4580 25 05	28	9 1152 25 29	57	9 1826 38	62	9 1828 86	64
8 4580 25 07	28	9 1152 25 55	57	9 1826 45	62	9 1828 90	64
8 4580 25 09	28	9 1152 25 59	57	9 1827 01	62	9 1828 91	64
8 4582 25 01	28	9 1152 25 65	57	9 1827 05	62	9 1828 94	64
8 4582 25 02	28	9 1152 25 69	57	9 1827 07	62	9 1828 95	64
8 4582 25 03	28	9 1152 27	66	9 1827 09	62	9 1828 97	64
8 4582 25 05	28	9 1152 29	66	9 1827 10	62	9 1828 99	64
8 4582 25 06	28	9 1152 55	66	9 1827 18	62	918 44	46
8 4583 25 01	28	9 1152 59	66	9 1827 25 01	52	9 1845 02	46
8 4583 25 02	28	9 1152 65	66	9 1827 25 05	52	9 1845 03	46
8 4583 25 03	28	9 1152 69	66	9 1827 25 07	52	918 53	56
8 4583 25 05	28	9 1803 25 05	53	9 1827 25 09	52	918 83	44
8 4583 25 06	28	9 1803 25 07	53	9 1827 25 10	52	9 1883 20	44
8 4731 25 06	16	9 1803 25 09	53	9 1827 25 18	52	918 87	44
8 4733 25 05	15	9 1803 25 68	53	9 1827 25 24	52	9 1887 01	44
8 4733 25 06	15	9 1803 25 76	53	9 1827 25 28	52	919 11	44
8 4778 25 01	13	9 1803 25 90	53	9 1827 25 38	52	9 1911 01	44
8 4778 25 02	13	9 1803 25 94	53	9 1827 25 58	52	9 1911 02	44
8 4778 25 05	13	9 1819 07	62	9 1827 25 68	55	919 12	44
8 4778 25 06	13	9 1819 11	62	9 1827 25 70	52	9 1912 01	44
8 4779 25 01	13	9 1819 15	62	9 1827 25 74	52	9 1915 01	44
8 4779 25 02	13	9 1819 19	62	9 1827 25 76	52	9 1915 02	44
8 4779 25 05	13	9 1819 25 07	53	9 1827 25 91	55	919 33	45
8 4779 25 06	13	9 1819 25 10	53	9 1827 25 95	55	919 36	81
8 4787 25 06	15	9 1819 25 11	53	9 1827 25 97	55	9 1941 05	80
8 4788 25 06	16	9 1819 25 15	53	9 1827 25 99	55	9 1941 09	80
8 6185 05	21	9 1819 25 18	53	9 1827 28	62	9 1941 18	80
8 6185 25 01	21	9 1819 25 19	53	9 1827 38	62	9 1941 28	80
8 6185 25 02	21	9 1819 25 24	53	9 1827 45	62	9 1942 05	81

ORDER NO.	PAGE	ORDER NO.	PAGE	ORDER NO.	PAGE	ORDER NO.	PAGE
9 1942 09	81	9 2601 25 03	25	9 3652 25 68	34	9 3671 25 07	37
9 1942 18	81	9 2601 25 05	25	9 3652 28	34	9 3671 25 09	37
9 1942 28	81	9 2601 25 07	25	9 3652 45	34	9 3671 25 10	37
9 1943 05	81	9 2601 25 09	25	9 3653 05	39	9 3671 25 18	37
9 1943 09	81	9 2602 25 01	26	9 3653 07	39	9 3671 25 24	37
9 1943 18	81	9 2602 25 03	26	9 3653 09	39	9 3671 25 28	37
9 1944 05	81	9 2602 25 05	26	9 3653 25 01	39	9 3671 25 45	37
9 1944 09	81	9 2602 25 07	26	9 3653 25 05	39	9 3671 25 68	37
9 1969 05	81	9 2602 25 09	26	9 3653 25 07	39	9 3671 28	37
9 1969 06	81	9 2871 25 71	# 42	9 3653 25 08	39	9 3675 01	38
9 1969 07	81	9 2871 25 75	# 42	9 3653 25 09	39	9 3675 05	38
9 1969 09	81	9 2871 25 77	# 42	9 3653 25 10	39	9 3675 07	38
9 1969 18	81	9 2871 25 79	# 42	9 3653 25 18	39	9 3675 09	38
9 1971 25 01	47	9 2871 71	# 42	9 3653 25 24	39	9 3675 25 01	38
9 1971 25 05	47	9 2871 75	# 42	9 3653 25 45	39	9 3675 25 05	38
9 1971 25 07	47	9 2871 77	# 42	9 3653 25 68	39	9 3675 25 07	38
9 1971 25 09	47	9 2871 79	# 42	9 3655 01	36	9 3675 25 08	38
9 1971 25 10	47	9 2876 01	# 42	9 3655 05	36	9 3675 25 09	38
9 1971 25 17	47	9 2876 05	# 42	9 3655 07	36	9 3675 25 10	38
9 1971 25 24	47	9 2876 07	# 42	9 3655 09	36	9 3675 25 18	38
9 1971 25 68	47	9 2876 09	# 42	9 3655 18	36	9 3675 25 24	38
9 1972 25 01	47	9 2876 18	# 42	9 3655 25 01	36	9 3675 25 45	38
9 1972 25 05	47	9 2876 25 01	# 42	9 3655 25 05	36	9 3675 25 68	38
9 1972 25 68	47	9 2876 25 05	# 42	9 3655 25 07	36	9 3681 05	80
9 1973 25 01	47	9 2876 25 07	# 42	9 3655 25 09	36	9 3681 09	80
9 1973 25 05	47	9 2876 25 09	# 42	9 3655 25 10	36	9 3681 18	80
9 1973 25 68	47	9 2876 25 10	# 42	9 3655 25 18	36	9 3681 68	80
9 1974 25 01	47	9 2876 25 18	# 42	9 3655 25 24	36	9 3682 05	80
9 1974 25 05	47	9 2876 25 24	# 42	9 3655 25 28	36	9 3682 09	80
9 1974 25 68	47	9 2876 25 28	# 42	9 3655 25 38	36	9 3686 05	80
9 1975 25 09	72	9 2876 25 45	# 42	9 3655 25 45	36	9 3686 09	80
9 1975 25 10	72	9 2876 25 68	# 42	9 3655 25 68	36	9 3686 18	80
9 1975 25 18	72	9 2876 28	# 42	9 3655 28	36	9 3686 28	80
9 1975 25 24	72	9 2876 45	# 42	9 3655 38	36	9 3695 25 01	40
9 1975 25 28	72	9 2891 25 01	43	9 3656 01	33	9 3695 25 05	40
9 1975 25 45	72	9 2891 25 05	43	9 3656 05	33	9 3695 25 07	40
9 1976 25 09	72	9 2891 25 06	43	9 3656 07	33	9 3695 25 09	40
9 1976 25 10	72	9 2891 25 09	43	9 3656 09	33	9 3695 25 10	40
9 1976 25 18	72	9 3651 01	32	9 3656 18	33	9 3695 25 18	40
9 1976 25 24	72	9 3651 05	32	9 3656 25 01	33	9 3695 25 28	40
9 1976 25 28	72	9 3651 07	32	9 3656 25 05	33	9 3695 25 68	40
9 1976 25 45	72	9 3651 09	32	9 3656 25 07	33	9 3696 25 05	41
9 1977 25 02	54	9 3651 18	32	9 3656 25 09	33	9 3696 25 18	41
9 1977 25 03	54	9 3651 25 01	32	9 3656 25 10	33	9 3696 25 28	41
9 1977 25 04	54	9 3651 25 05	32	9 3656 25 18	33	9 3696 25 68	41
9 1977 25 05	54	9 3651 25 07	32	9 3656 25 24	33	9 3697 25 05	40
9 1977 25 06	54	9 3651 25 09	32	9 3656 25 28	33	9 3697 25 10	40
9 1977 25 76	54	9 3651 25 10	32	9 3656 25 38	33	9 3697 25 18	39
9 1978 25 09	72	9 3651 25 18	32	9 3656 25 45	33	9 3697 25 38	40
9 1978 25 10	72	9 3651 25 24	32	9 3656 25 68	33	9 3699 25 01	40
9 1978 25 18	72	9 3651 25 28	32	9 3656 28	33	9 3699 25 05	40
9 1978 25 24	72	9 3651 25 45	32	9 3656 45	33	9 3699 25 07	40
9 1978 25 28	72	9 3651 25 68	32	9 3657 01	34	9 3699 25 09	40
9 1978 25 45	72	9 3651 28	32	9 3657 09	34	9 3699 25 10	40
9 1987 25 02	53	9 3651 38	32	9 3657 25 01	33	9 3699 25 28	40
9 1987 25 03	53	9 3651 45	32	9 3657 25 05	33	9 3699 25 68	40
9 1987 25 04	53	9 3652 01	34	9 3657 25 07	33	9 3752 01	35
9 1987 25 05	53	9 3652 05	34	9 3657 25 09	33	9 3752 05	35
9 1987 25 06	53	9 3652 07	34	9 3657 25 10	33	9 3752 07	35
9 1987 25 76	53	9 3652 09	34	9 3657 25 24	33	9 3752 09	35
9 1988 25 02	54	9 3652 25 01	34	9 3657 25 28	33	9 3752 25 01	35
9 1988 25 03	54	9 3652 25 05	34	9 3657 25 68	33	9 3752 25 05	35
9 1988 25 04	54	9 3652 25 07	34	9 3665 25 18	38	9 3752 25 07	35
9 1988 25 05	54	9 3652 25 09	34	9 3671 05	37	9 3752 25 09	35
9 1988 25 06	54	9 3652 25 10	34	9 3671 07	37	9 3752 25 10	35
9 1988 25 76	54	9 3652 25 18	34	9 3671 09	37	9 3752 25 24	35
9 2600 25 05	25	9 3652 25 24	34	9 3671 18	37	9 3752 25 68	35
9 2600 25 09	25	9 3652 25 28	34	9 3671 25 01	37	9 3762 25 10	35
9 2601 25 01	25	9 3652 25 45	34	9 3671 25 05	37	9 3762 25 18	35

PRODUCT SUMMARY



ORDER NO.	PAGE	ORDER NO.	PAGE	ORDER NO.	PAGE	ORDER NO.	PAGE
9 3762 25 24	35	9 4560 25 02	27	9 6249 05	19	WS0 01	131
9 3762 25 31	35	9 4560 25 05	27	9 6249 25 01	19	WS1 00	128
9 3762 25 35	35	9 4560 25 06	27	9 6249 25 02	19	WS10 0E	128
9 3762 25 39	35	9 4561 25 02	27	9 6249 25 05	19	WS10 0N	128
9 3762 25 68	35	9 4562 25 05	26	9 6249 25 06	19	WS10 0V	128
9 3772 25 01	37	9 4570 25 05	23	9 6251 25 02	19	WS1 05	130
9 3772 25 05	37	9 4570 25 15	24	9 6251 25 03	19	WS1 06	129
9 3772 25 07	37	9 4571 25 01	23	9 6251 25 05	19	WS1 20	130
9 3772 25 09	37	9 4571 25 05	23	9 6254 25 01	18	WS1 21	129
9 4185 05	12	9 4571 25 07	23	9 6254 25 07	18	WS12 1E	129
9 4185 25	14	9 4571 25 09	23	9 6254 25 09	18	WS12 1N	129
9 4185 25 01	12	9 4572 25 01	24	9 6254 25 10	18	WS12 1V	129
9 4185 25 02	12	9 4572 25 02	24	9 6256 05	18	WS1 22	129
9 4185 25 05	12	9 4572 25 03	24	9 6256 25 01	18	WS12 2E	129
9 4185 25 06	12	9 4572 25 05	24	9 6256 25 02	18	WS12 2N	129
9 4195 05	12	9 4573 25 02	24	9 6256 25 05	18	WS12 2V	129
9 4195 25 01	12	9 4573 25 05	24	9 6256 25 06	18	WS1 60	128
9 4195 25 02	12	9 4574 25 02	24	9 6257 25 01	22	WS16 0E	128
9 4195 25 05	12	9 4574 25 05	24	9 6257 25 02	22	WS16 0N	128
9 4195 25 06	12	9 4581 25 01	26	9 6257 25 03	22	WS16 0V	128
9 4196 05	78	9 4581 25 02	26	9 6257 25 05	22	WS1 72	128
9 4196 09	78	9 4581 25 03	26	9 6257 25 06	22	WS17 2E	128
9 4197 05	78	9 4581 25 05	26	9 6258 05	18	WS17 2N	128
9 4197 09	78	9 4581 25 06	26	9 6258 25 01	18	WS17 2V	128
9 4197 28	78	9 4582 25 01	28	9 6258 25 02	18	WS2 25	131
9 4198 05	78	9 4582 25 02	28	9 6258 25 05	18	WS2 26	132
9 4198 09	78	9 4582 25 03	28	9 6258 25 06	18	WS6 88	130
9 4199 05	79	9 4582 25 05	28	9 6259 25 01	20	WS6 89	130
9 4199 09	79	9 4582 25 06	28	9 6259 25 02	20	WS6 97	130
9 4199 18	79	9 4583 25 01	28	9 6259 25 03	20		
9 4199 28	79	9 4583 25 02	28	9 6259 25 05	20		
9 4296 03	106	9 4583 25 03	28	9 6259 25 06	20		
9 4296 05	106	9 4583 25 05	28	9 6262 05	20		
9 4296 06	106	9 4583 25 06	28	9 6262 25 01	20		
9 4296 19	106	9 4713 25 02	17	9 6262 25 02	20		
9 4509 05	41	9 4713 25 03	17	9 6262 25 05	20		
9 4509 25 02	41	9 4713 25 04	17	9 6262 25 06	20		
9 4509 25 05	41	9 4713 25 05	17	9 6263 25 01	17		
9 4511 15	26	9 4713 25 06	17	9 6263 25 02	17		
9 4511 25 11	26	9 4713 25 76	17	9 6263 25 13	17		
9 4511 25 12	26	9 4778 25 01	13	9 6272 05	19		
9 4511 25 15	26	9 4778 25 02	13	9 6272 25 02	19		
9 4516 05	45	9 4778 25 03	13	9 6272 25 05	19		
9 4516 25 01	45	9 4778 25 05	13	9 6272 25 06	19		
9 4516 25 07	45	9 4778 25 06	13				
9 4516 25 09	45	9 4779 25 01	13				
9 4516 25 10	45	9 4779 25 02	13				
9 4516 25 24	45	9 4779 25 03	13				
9 4516 25 45	45	9 4779 25 05	13				
9 4517 05	23	9 4779 25 06	13				
9 4517 25 01	23	9 6185 05	21	OLFR15015090-10BE1	143		
9 4517 25 05	23	9 6185 25 01	21	OLFR15015090-10BE2	143		
9 4517 25 07	23	9 6185 25 02	21	OLFR15015090-11BE1	143		
9 4517 25 09	23	9 6185 25 05	21	OLFR20020090-10BE1	143		
9 4519 05	27	9 6185 25 06	21	OLFR20020090-10BE2	143		
9 4519 25 01	27	9 6194 05	22	OLFR20020090-11BE1	143		
9 4519 25 02	27	9 6194 25 02	22	OLFR20035090-10BE1	143		
9 4519 25 05	27	9 6194 25 05	22	OLFR20035090-10BE2	143		
9 4519 25 06	27	9 6194 25 06	22	OLFR20035090-11BE1	143		
9 4557 05	30	9 6195 05	21	OLFR70120901-0BE1	143		
9 4557 25 05	30	9 6195 25 01	21	OLFR70120901-0BE2	143		
9 4557 25 07	30	9 6195 25 02	21	OLFR70120901-1BE1	143		
9 4557 25 09	30	9 6195 25 05	21				
9 4559 05	30	9 6195 25 06	21				
9 4559 25 05	30	9 6198 05	79				
9 4559 25 07	30	9 6198 09	79				
9 4559 25 09	30	9 6199 05	79				
9 4560 05	27	9 6199 18	79				
9 4560 25 01	27	9 6199 28	79				

