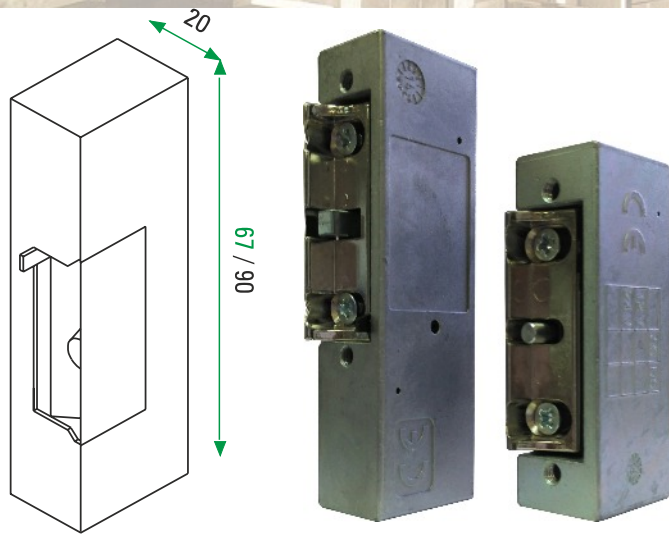


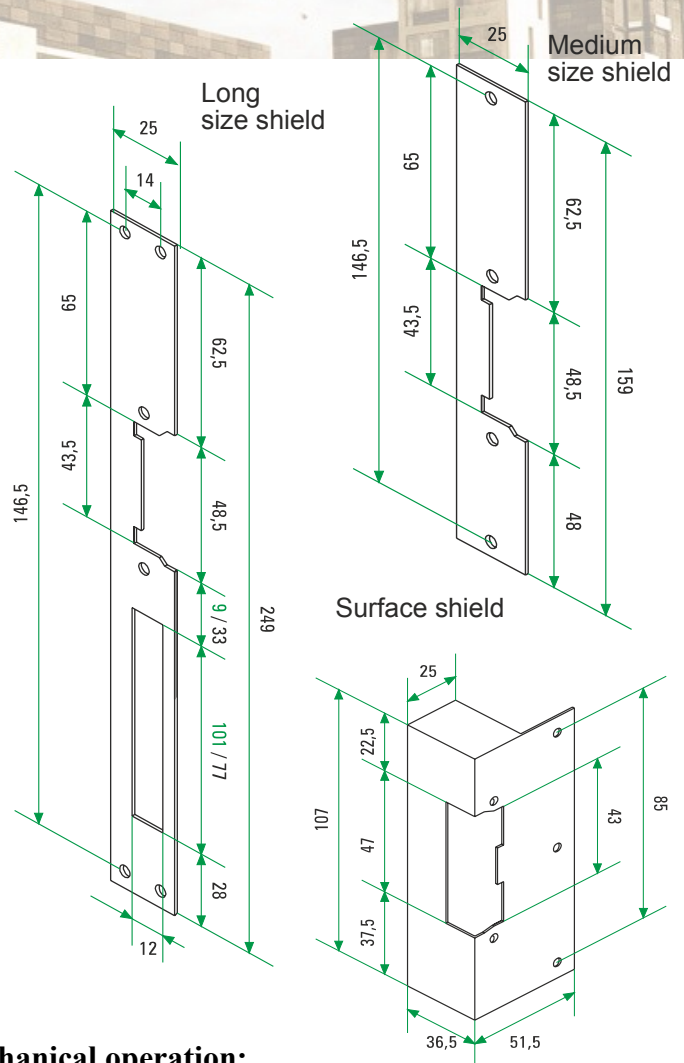
## Lock releases



Dimensions (mm) in green  
= reduced sized mechanism.

Lock release casing are manufactured in 2mm thick pressure injected light alloy colour. There is an adjustable bolt on all models, allowing 3 mm precision when fitting. Operation voltage from 8 to 12V a.c. (750mA consumption) or d.c. (DC models, 300mA consumption).

UNI models operates in either a.c. or d.c. voltage.



### Two types of mechanical operation:

<p><b>Standard</b></p>	<p>Only enables the door to be opened while the lock release push button of the apartment unit is pressed. * On systems with digital installation, the lock release is activated in one push.</p>	<p><b>Automatic</b></p>	<p>Enables the door to be opened with only one press of the lock release push button of the apartment unit. The door is locked again when closed. (Delayed action )</p>
------------------------	---	-------------------------	---

<b>Standard type:</b>	<b>Specification</b> a.c. release unless otherwise stated	<b>Automatic type:</b>	<b>Specification</b> a.c. release unless otherwise stated
<b>CV-14</b>	<ul style="list-style-type: none"> <li>● Adjustable bolt.</li> <li>● Medium size shield.</li> </ul>	<b>CV-24</b>	<ul style="list-style-type: none"> <li>● Adjustable bolt.</li> <li>● Medium size shield.</li> </ul>
<b>CV-14E</b>	<ul style="list-style-type: none"> <li>● Adjustable bolt.</li> <li>● Unlock function.</li> <li>● Medium size shield.</li> </ul>	<b>CV-24E</b>	<ul style="list-style-type: none"> <li>● Adjustable bolt.</li> <li>● Medium size shield.</li> <li>● Unlock function.</li> </ul>
<b>CV-14P</b>	<ul style="list-style-type: none"> <li>● Adjustable bolt.</li> <li>● Medium size shield.</li> <li>● Reduced mechanism size.</li> </ul>	<b>CV-24P</b>	<ul style="list-style-type: none"> <li>● Adjustable bolt.</li> <li>● Medium size shield.</li> <li>● Reduced mechanism size.</li> </ul>
<b>CV-14EP</b>	<ul style="list-style-type: none"> <li>● Adjustable bolt</li> <li>● Unlock function.</li> <li>● Medium size shield.</li> <li>● Reduced mechanism size.</li> </ul>	<b>CV-24EP</b>	<ul style="list-style-type: none"> <li>● Adjustable bolt</li> <li>● Unlock function.</li> <li>● Medium size shield.</li> <li>● Reduced mechanism size.</li> </ul>
<b>CV-14L</b>	<ul style="list-style-type: none"> <li>● Adjustable bolt.</li> <li>● Long size shield.</li> </ul>	<b>CV-24L</b>	<ul style="list-style-type: none"> <li>● Adjustable bolt.</li> <li>● Long size shield.</li> </ul>
<b>CV-14EL</b>	<ul style="list-style-type: none"> <li>● Adjustable bolt.</li> <li>● Long size shield.</li> <li>● Unlock function.</li> </ul>	<b>CV-24EL</b>	<ul style="list-style-type: none"> <li>● Adjustable bolt.</li> <li>● Long size shield.</li> <li>● Unlock function.</li> </ul>
<b>CV-14LP</b>	<ul style="list-style-type: none"> <li>● Adjustable bolt.</li> <li>● Long size shield.</li> <li>● Reduced mechanism size.</li> </ul>	<b>CV-24LP</b>	<ul style="list-style-type: none"> <li>● Adjustable bolt.</li> <li>● Long size shield.</li> <li>● Reduced mechanism size.</li> </ul>
<b>CV-14ELP</b>	<ul style="list-style-type: none"> <li>● Adjustable bolt.</li> <li>● Long size shield.</li> <li>● Reduced mechanism size.</li> <li>● Unlock function.</li> </ul>	<b>CV-24ELP</b>	<ul style="list-style-type: none"> <li>● Adjustable bolt.</li> <li>● Long size shield.</li> <li>● Reduced mechanism size.</li> <li>● Unlock function.</li> </ul>
<b>CV-14/DC</b>	<ul style="list-style-type: none"> <li>● Adjustable bolt.</li> <li>● Medium size shield.</li> </ul>	<b>CV-24/DC</b>	<ul style="list-style-type: none"> <li>● Adjustable bolt.</li> <li>● Medium size shield.</li> </ul>
<b>CV-14P/UNI</b>	<ul style="list-style-type: none"> <li>● Adjustable bolt.</li> <li>● Reduced mechanism size.</li> <li>● Stainless steel medium size shield.</li> </ul>	<b>CV-24P/UNI</b>	<ul style="list-style-type: none"> <li>● Adjustable bolt.</li> <li>● Reduced mechanism size.</li> <li>● Stainless steel medium size shield.</li> </ul>

**E = Physical unlock function    P = Reduced mechanism size    L= long shield**



133 High Road, New Southgate,  
London N11 1PP

020 8368 1935

/GolmarSystemsUK

www.golmarsystems.com

sales@golmarsystems.com