

Barrierfold

Makes fitting folding doors a breath of fresh air!

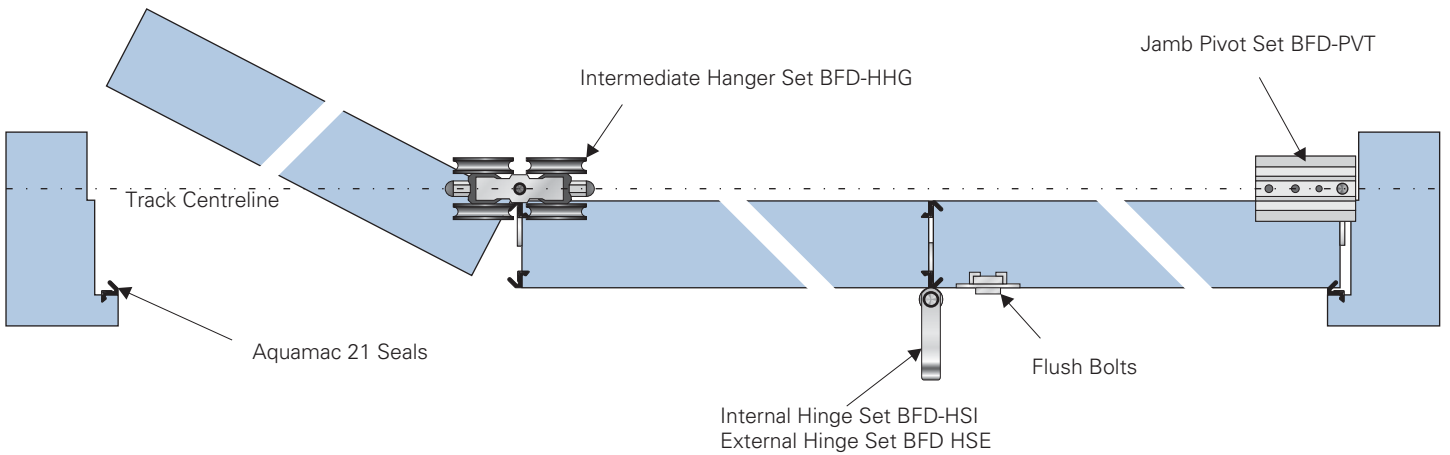


**Self Adjusting
Bottom Pivot &
Offset Hinges
Now Available**

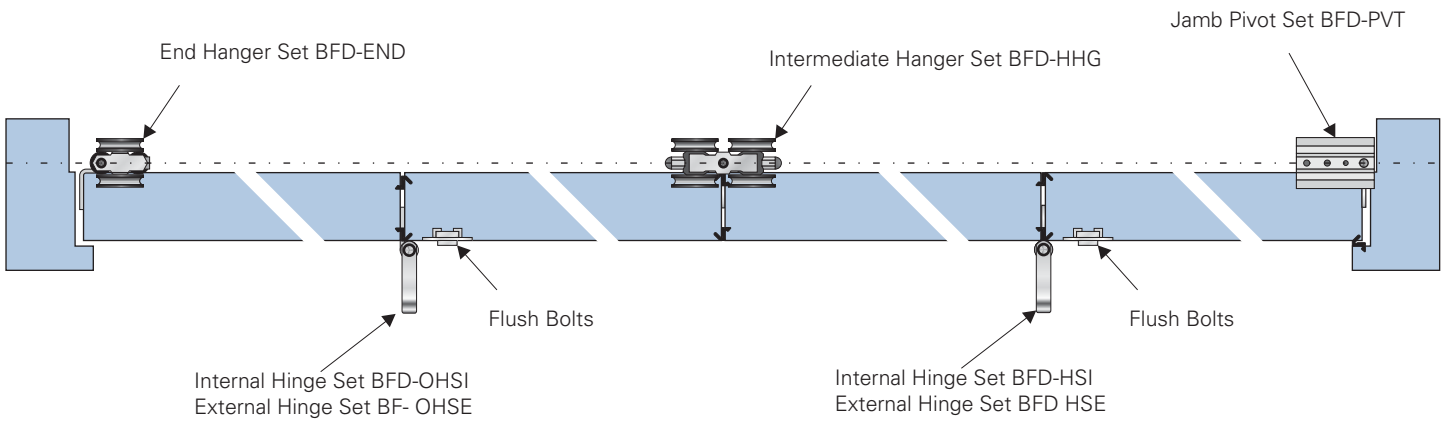


Hardware Positioning.

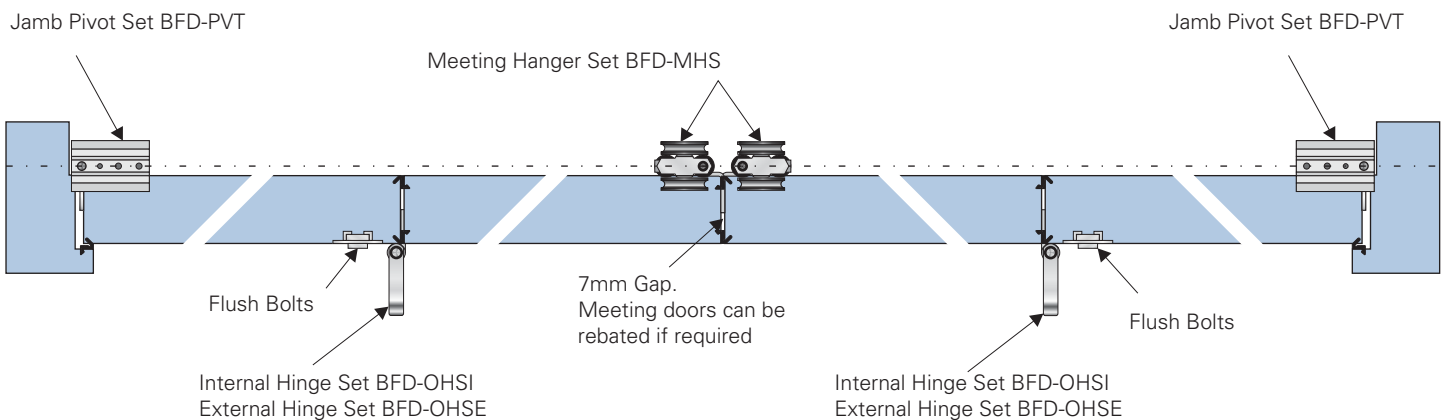
3 Door Layout - Outward Folding



4 Door Layout - Outward Folding

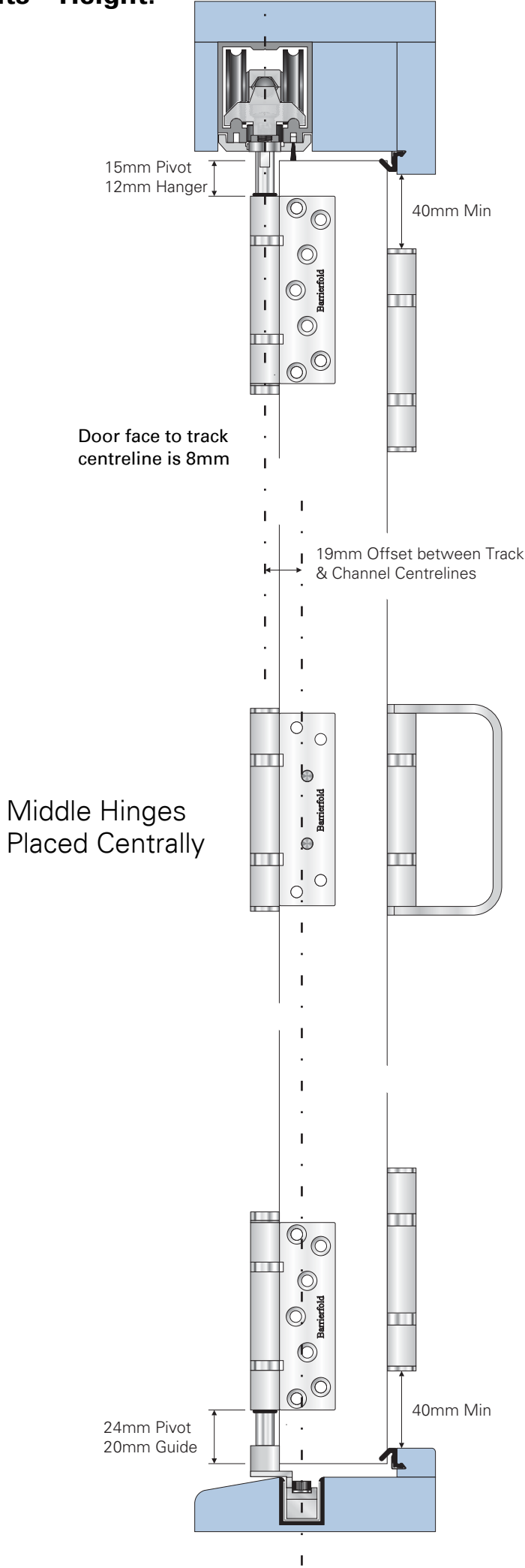


2+2 Door Layout - Outward Folding



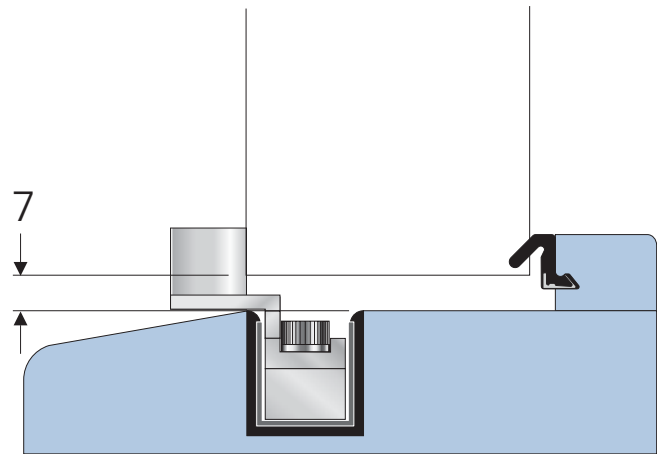
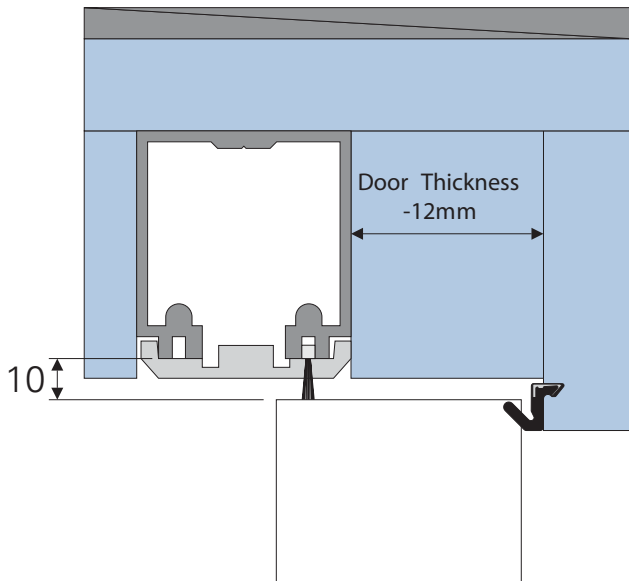
Please note that on inward folding systems the Flush Bolts are on the same side as the running hardware. In this instance the shoots will drop directly into the channel upon locking.

Hinge Placements – Height.



Head & Cill Details

Packing if required

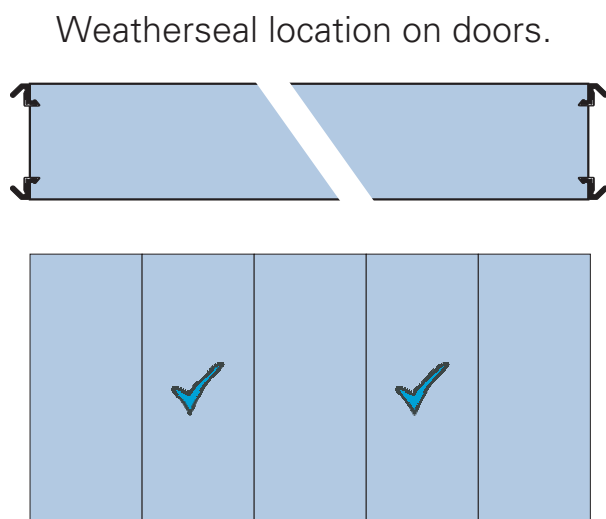


See Appendix i for alternative cill details such as inward opening and Aluminium options.

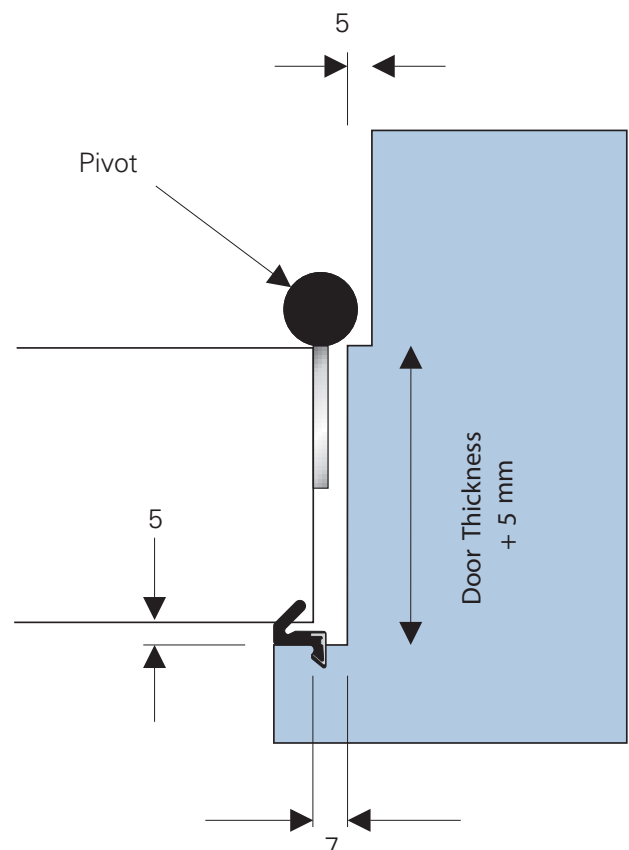
Jamb Sections & Weatherseal Details.

One of the benefits of the Barrierfold system is not having to rebate the doors. By simply using a high quality seal (such as AQ21) you can run a double seal up the door edges creating an extremely watertight barrier.

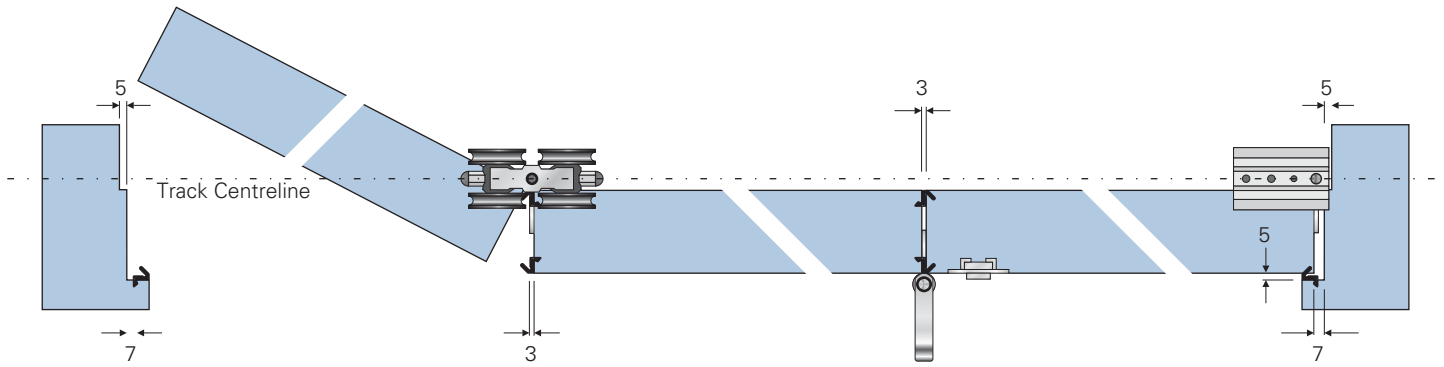
Please note the additional 5mm rebate we show on the jamb. This allows our Top and Bottom Pivot set to assume the appearance of normal hinges when the doors are closed.



5 Door example showing which doors have vertical seals fitted.



Door Width Calculations



Example of door leaf width calculations for a 3 leaf system are as follows;

Total opening between Jambs = 2700mm

No. Leaves = 3

Total Gaps = 7mm + 3mm + 3mm + 7mm **=20mm**

Subtract total gaps from opening = 2700mm - 20mm **=2680mm**

Divide 2680mm by No. Leaves (3mm) **=893mm**

Leaf Widths therefore are 893mm.

Please note that we now offer offset hardware for even leaf systems meaning all panels are equal width.

Door Height Calculations

Example of door leaf height calculations for a 3 leaf system are as follows;

Total opening between Track and Channel = 3000mm

Total Gaps = 10 + 7mm **=17mm**

Subtract total gaps from opening height = 3000mm - 17mm **=2983mm**

Leaf Heights therefore are 2983mm

Fitting Guidelines

Frame

Ensure the opening is square and weight bearing areas can accommodate the weight of the system. Particular care should be taken to ensure there is sufficient strength in the structure above the opening to take the combined total weight of the doors, especially in the open position when all stacked to one side. Barrierfold provides +/- 3mm of horizontal and vertical adjustment. Use a plumb line to ensure that the centre line of the track and the centre line of the channel are offset by 19mm.

Track

Ensure that before you place the track into the timber frame you have correctly placed the Top Pivot Block (or heads) and all hangers inside. You can simply loosen the grub screws and then remove the pendent bolts with the flaps so that they can be positioned on to the doors. Ensure the track is securely fixed to the head with fixings every 75-100mm over stacking areas and every 300mm thereon. Last and 1st fixings should be 75mm from end of track.

Channel

Ensure Ali channel is inserted into the timber frame with an offset of 19mm (centreline of track to centreline of channel) so that the channel sits under the doors. Once securely fixed press the UPVC insert into place and fix in the Bottom Pivot Block with correct handing top plate. It would be advisable to keep the Bottom Pivot flap and pin in place and offer the door to it during installation due to the design of the self adjusting Bottom Pivot. Also note that to change the handing of the bottom pivot flap knock out the cap on top, turn flap around and then carefully replace the cap.

Also please ensure Channel is drilled at around every 300mm to ensure drainage should water collect. This hole should penetrate right through timber seal and out to the external part of the threshold. Please note the Aluminium Threshold also needs drilling both in the channel holder and under the front lip of the profile.

Middle Pivot Hinge

Another feature of our system is the Middle Pivot Hinge which, in essence is a dummy knuckle that is fitted onto door panel, midway between top and bottom Pivots. The E shaped plate is then mounted flush into the jamb with the open jaws pointing way from the knuckle. This then serves to ensure doors do not warp, bow, or are levered away from the jamb. When doors are over 2400mm 2 of these are supplied.

Doors

Once the doors have been fitted with the required hardware such as Flushbolts, hinges etc... take the 1st door (pivot mounted door) and offer up to the Top Pivot plate and then insert pendent bolt through flap and into the Top Pivot Block within the track. Once fitted then fix the Bottom Pivot Flap to the Door.

Once 1st Door is then adjusted attach the 2nd Door via the 3 hinges of the correct type for your layout. The end of the 2nd Door then needs to be attached to the pre-installed hanger in the track by threading the pendent bolt through the Flap and into the Hanger body. Now adjust to suit.

This process is then repeated according to your layout.

Once the system has been installed operate a few times to check running of system and, if needs be, make final adjustments.

Once first installed you may find Flushbolts are stiff to operate to begin with. Once weatherseals begin to compress and system is used they should become easier to use.

Adjustment & Maintenance

Pivot Adjustment

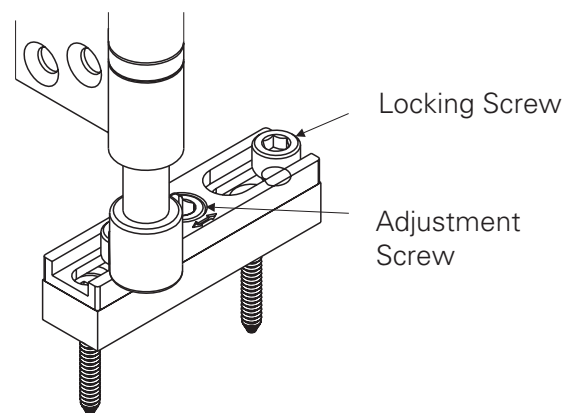
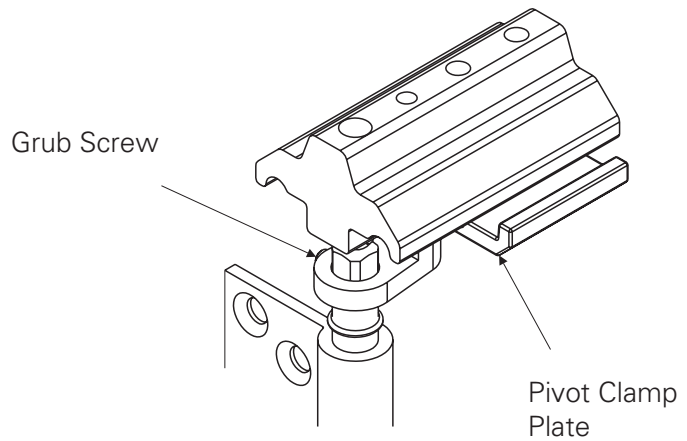
To adjust height you need to slacken the grub screw and then with an allen key wind the pendant bolt either up or down. Once doors are at correct height tighten grub screw.

Please note the grub screw may be hidden by the doors on certain layouts so you may need to fold the doors, make the adjustment and then close the doors to check.

The bottom pivot plate is now self adjusting and requires no manual setting.

To adjust the distance of the doors to the jamb, the top plate should be loosened via the 2 bolts and then you can move the top clamp block back or forth to suit. Once set re-tighten bolts.

The bottom plate adjustment is made by loosening the locking screws and then use the adjustment screw to move plate back or forth. Once set simply re-tighten locking screws.



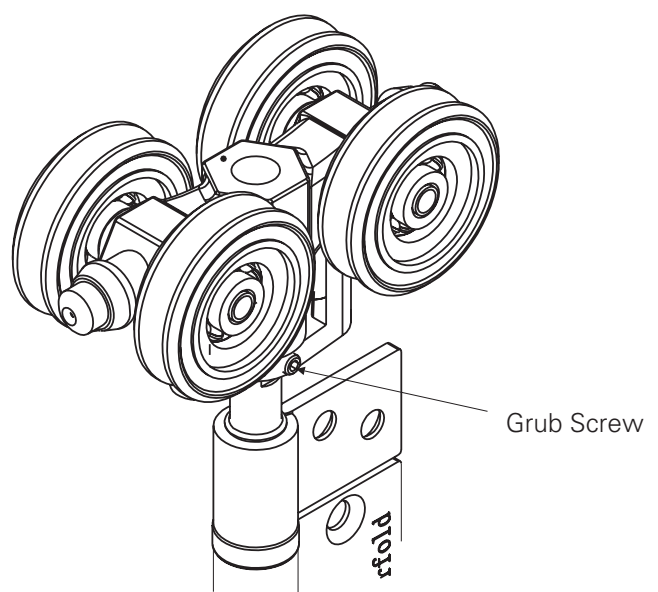
Hanger Adjustment

Hanger adjustment is carried out by loosening the grub screw and then winding the pendant bolt up or down. Once doors are set simply re-tighten the grub screw.

Please note the grub screw may be hidden by the doors on certain layouts so you may need to fold the doors, make the adjustment and then close the doors to check.

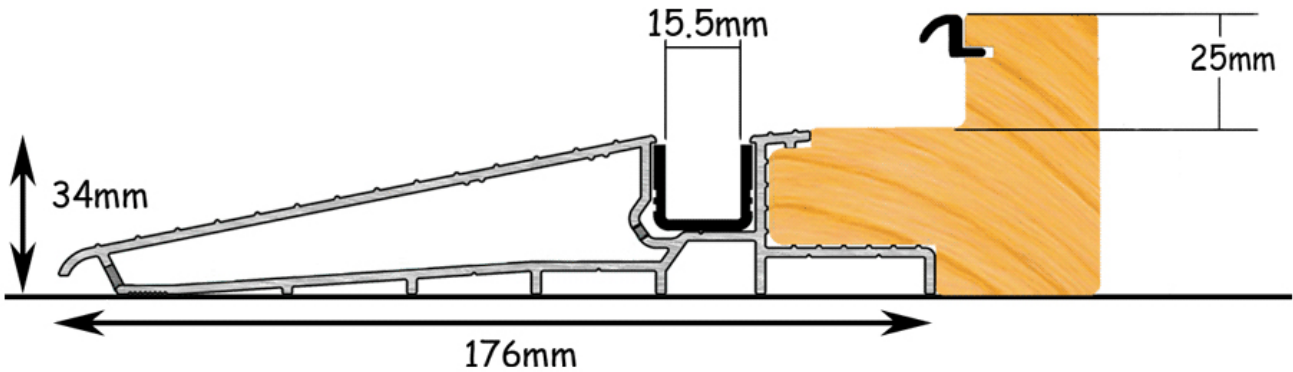
Cleaning Hardware

Clean periodically in a mild detergent with a soft cloth to clean any dirt or grit from the system. In the event of the hangers sounding like they are running over debris then ensure the tracks running surfaces and wheels on the hangers are clean as dirt and dust can form uneven surfaces over time.



Appendix i - Alternative Cill Details.

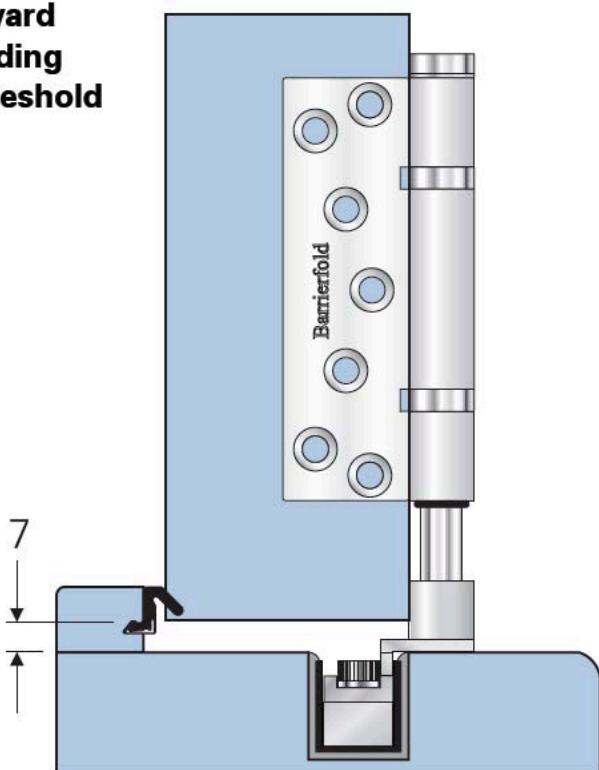
Aluminium Threshold detail allows self draining of the channel and can be fixed easily to a concrete base. Threshold can withstand light vehicles driving over so can be used for garage type applications. Silver Anodised Finish. Please note that the threshold attaches to the timber frame, which incorporates the rebate. This means any width of door can be accommodated within the systems parameters.



Inward Opening & Flat Threshold Options

When looking at inward folding options please also remember that the top head detail also needs to be reversed meaning the track is seen on the inside, not outside. Also with internal folding layouts the Hinge handle will have been replaced with a standard hinge and Flush bolts will be cranked at the head to allow for the tracks alignment. Flush bolts at the bottom will locate into channel when locked they will not require a keep. Flat Thresholds should be avoided where possible. However when needed a double brush strip can be placed under the door which increases resistance to wind, debris and small amounts of water. The bottom channel will become the main water barrier so insure a suitable option is in place for drainage. Also insure external floor has a slight gradient away from the doors to provide a run off for water.

Inward Folding Threshold



Flat Threshold

