

## DPL1000 Installation Instructions

www.downee.com.au

### PLEASE CAREFULLY READ ALL OF THE INSTRUCTIONS PRIOR TO INSTALLATION

This pull latch can be used on safety barriers, such as those for swimming pools.

The following instructions outline the proper installation procedures, so the installed product complies with the Australian Standards in force on the day these instructions were written (see the Revision date in the top right corner of this sheet).

Nevertheless, the appropriate local authorities should always be consulted on safety requirements for the intended use of this product. Swimming pool safety barriers must have a height of between 1200 and 1500 mm. The fence and gate as depicted in these diagrams have a top rail height of 1200 mm.

Measured from ground level, the height to the bottom of the release knob on top of the latch must be at least 1500 mm.

The gate must open away from the pool and the latch must be fitted on the outside of the gate, not the poolside.

This pull latch is suited to left and right handed gates with a gap between gate post and fence post of between 12 and 38 mm.

**STEP 1:** Determine mounting height based upon local code requirements.

**STEP 2:** Install the UPPER BRACKET as near to the top of the Fence post as possible using (3) Countersunk Screws. (Fig. 2)

**STEP 3:** Install Lower Bracket

1. Slide the Latch Body down over the Upper Bracket (Fig. 3). Use a measuring device to locate the Top of the Latch at the PROPER HEIGHT (Fig. 1) "REFER TO ALL LOCAL BUILDING CODES"
2. Temporarily attach the Lower Bracket by holding it against the post and sliding it up into the Latch Body (Fig. 4). With the Latch at the PROPER HEIGHT, mark the Lower Bracket location on the Post.
3. Remove Latch Body and attach the Lower Bracket with the (4) supplied Countersunk mounting screws.

**STEP 4:** Install Latch Body

1. Re-install Latch Body by sliding over both Upper and Lower Brackets.
2. Position at proper height and secure with the small Countersunk Screw (Fig 5).

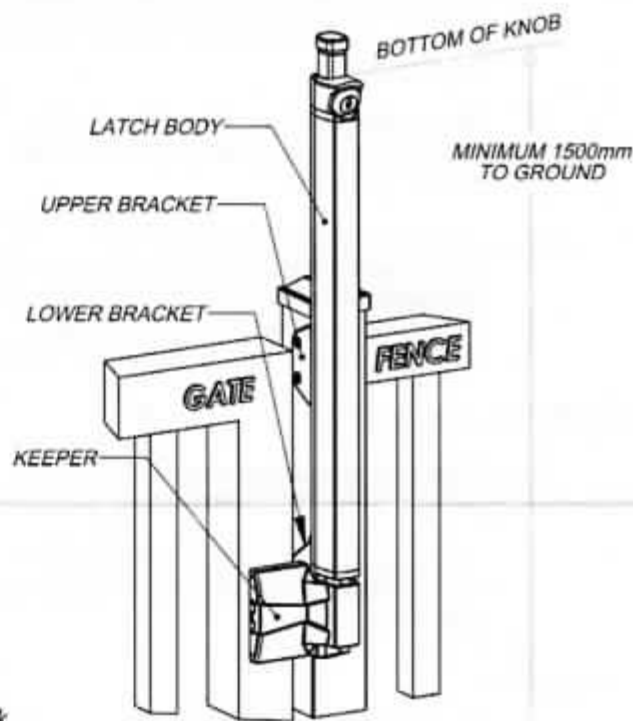


FIG. 1

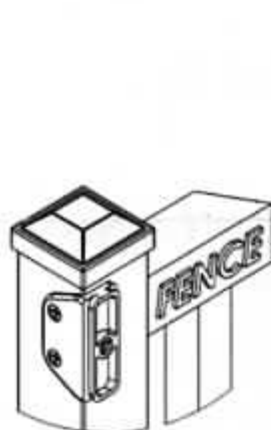


FIG. 2



FIG. 3



FIG. 4

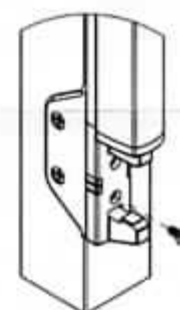


FIG. 5

## STEP 5: Install Keeper Assembly

1. Adjust Keeper assembly (Fig. 11) to align with Latch Body (Fig. 6). Maximum operational adjustment has been reached when the line on the Keeper assembly reaches the gate face. (Fig. 10)
2. Position the mark on the Keeper Assembly between the two marks on the Latch Body (Fig. 7). The ideal location is closer to the top mark.
3. Secure Keeper Assembly to Gate in this position using (2) Countersunk screws as shown in (Fig. 8).
4. Open gate and using a screwdriver, adjust the keeper assembly out to expose the remaining two screw locations (Fig. 9). Install (2) Countersunk screws then return Keeper Assembly back to proper alignment. (Fig. 6)

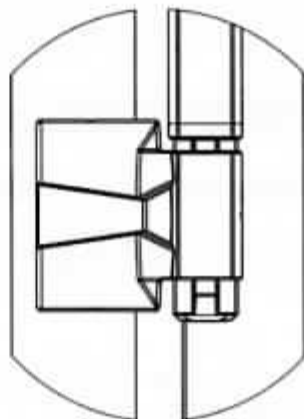


FIG. 6

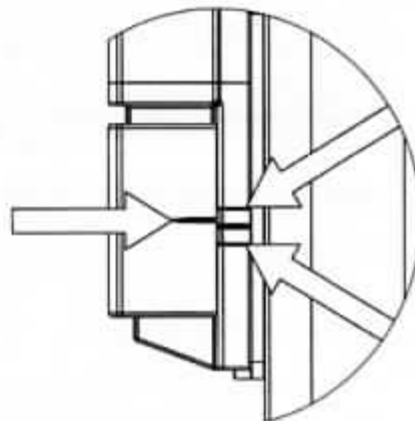


FIG. 7

## STEP 6: Final Adjustments

1. Check for proper operation. If any final Adjustments are needed, use the Horizontal Adjustment screw located in the Keeper Assembly (Fig. 11), and / or the Vertical Adjustment holes located in the Lower Bracket (Fig. 12).

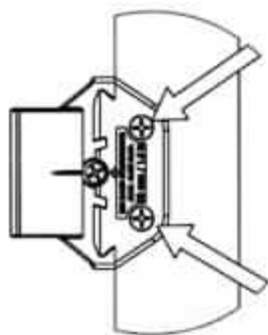


FIG. 8

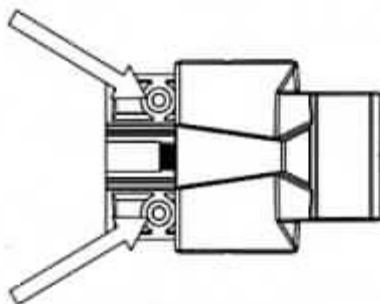


FIG. 9

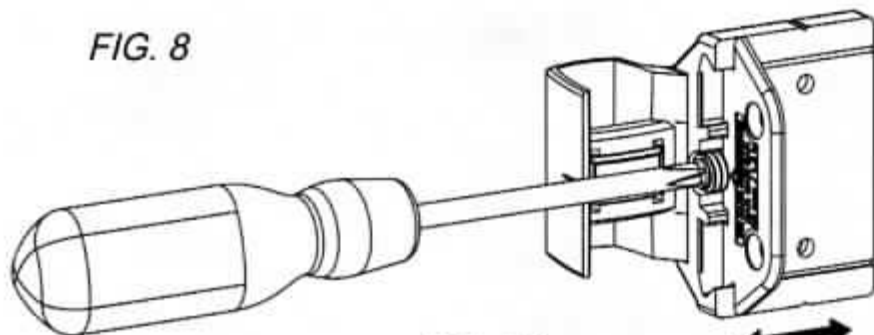


FIG. 11

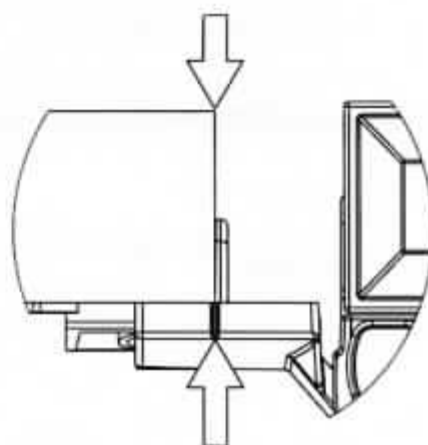


FIG. 10

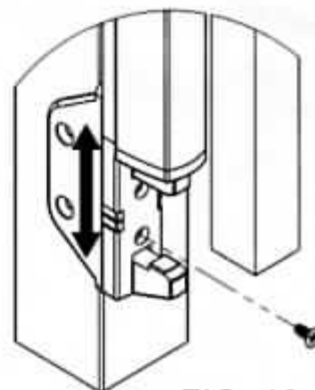


FIG. 12