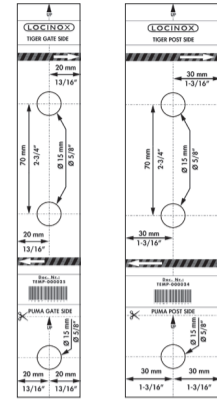
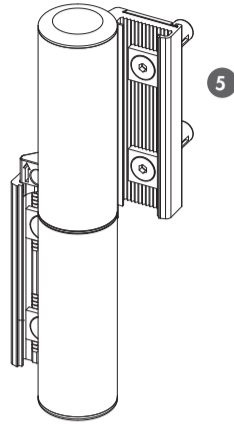
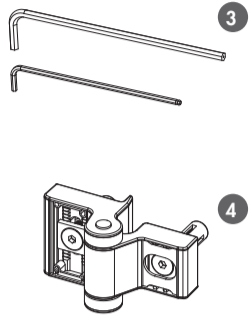
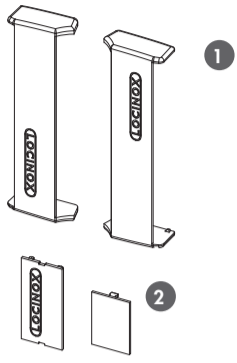


LOCINOX®

Let's make better fences together

TIGER: INSTALLATION INSTRUCTION

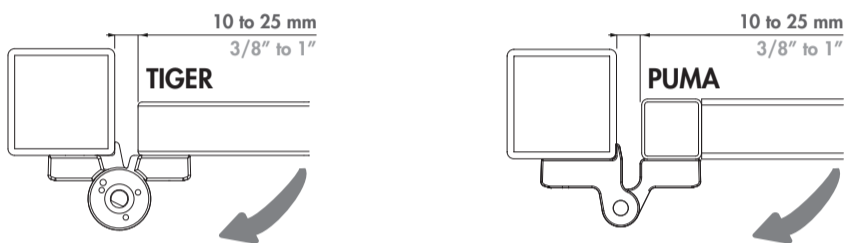
① Package content



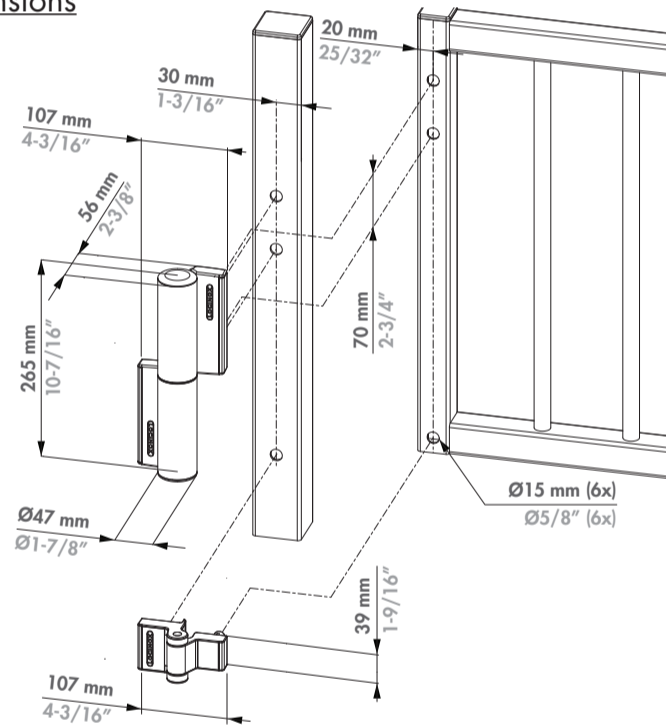
1	Tiger cover shields
2	Puma cover shields
3	Allen Keys (3 and 5 mm)
4	Puma hinge
5	Tiger gatecloser
6	Drilling Templates

LEFT OPENING GATE

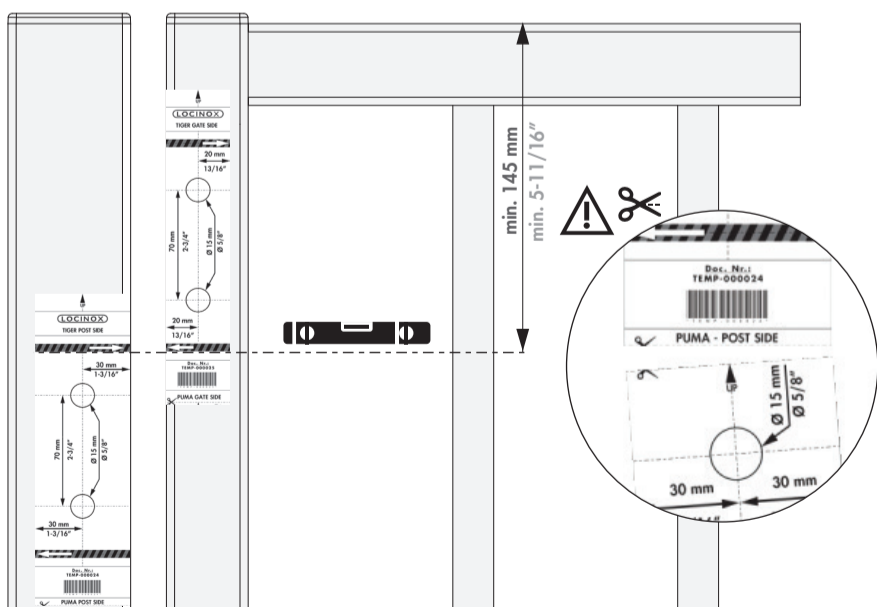
② Mounting Situation



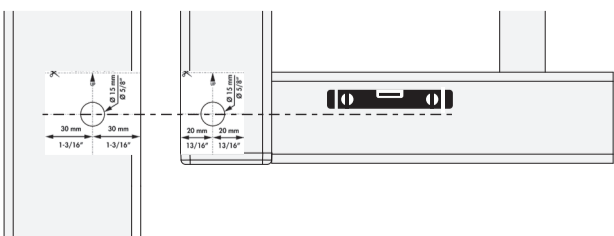
③ Dimensions



④ Profile and gate preparation for TIGER gatecloser



⑤ Profile and gate preparation for PUMA hinge

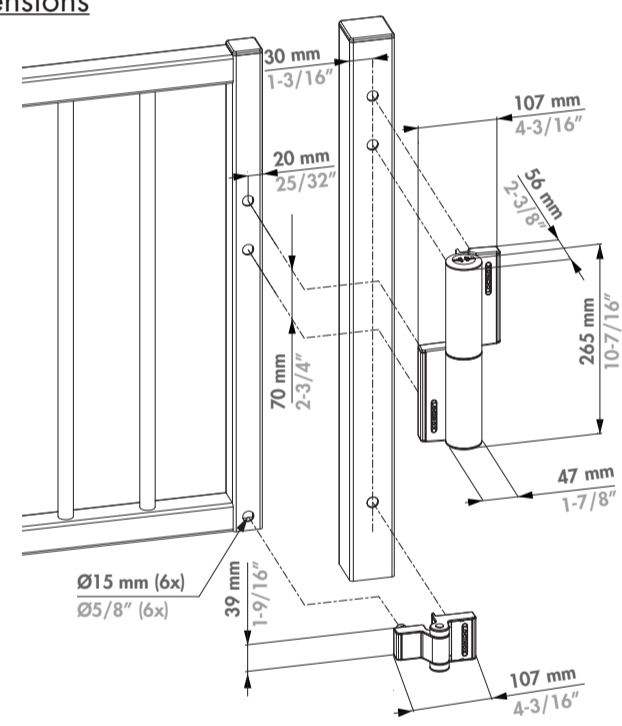


RIGHT OPENING GATE

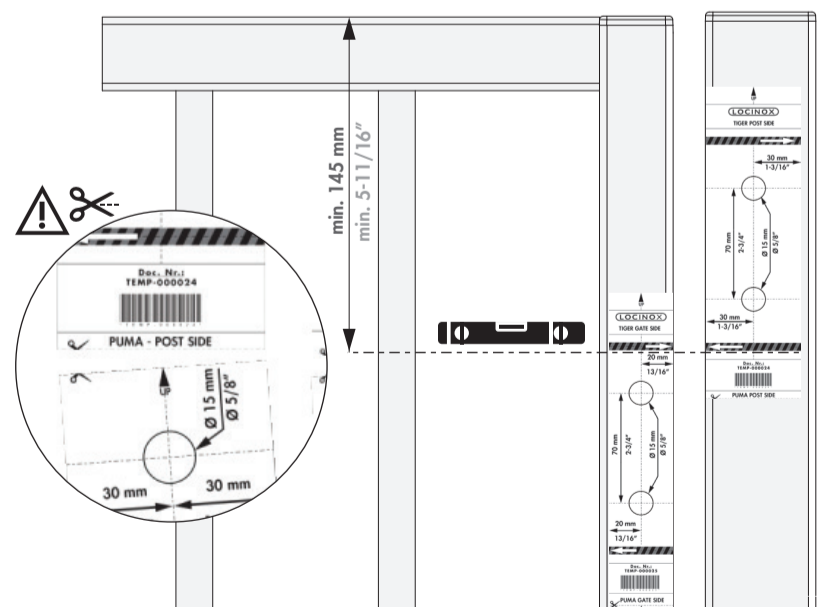
② Mounting Situation



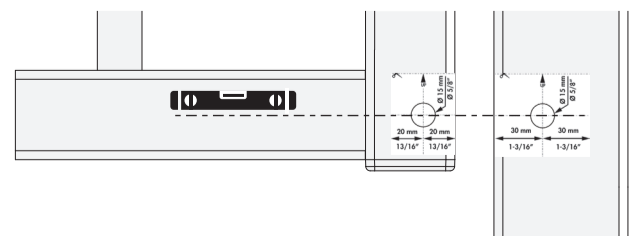
③ Dimensions



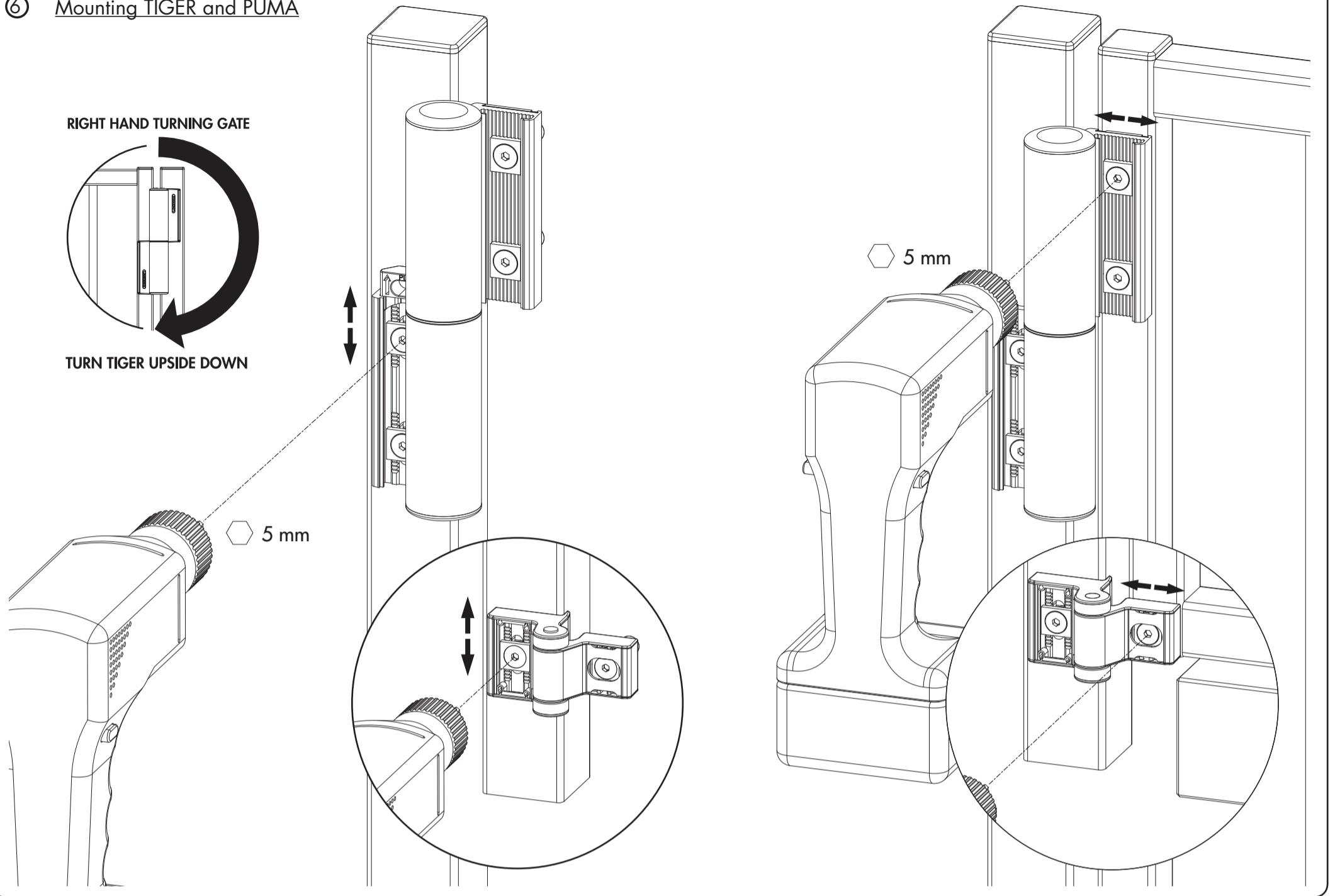
④ Profile and gate preparation for TIGER gatecloser



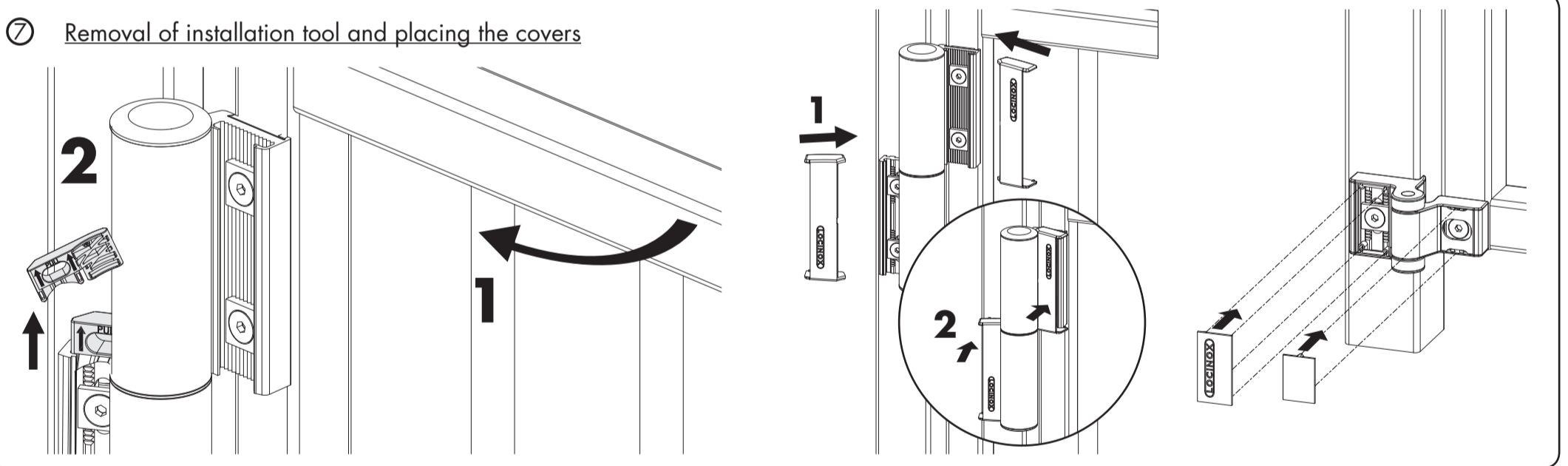
⑤ Profile and gate preparation for PUMA hinge



⑥ Mounting TIGER and PUMA



⑦ Removal of installation tool and placing the covers



⑧ Adjusting

