

Product Recovery Solutions for

Paint Manufacturers



HPS Product Recovery Solutions

Quality • Innovation • Simplicity • Integrity

www.HPS-Pigging.com



Proven Systems. From Specialists.

Customised Product Recovery Solutions for Paint Manufacturers

HPS are world-leading specialists in pipeline cleaning, product recovery and transfer for paint, pigment and coatings manufacturers.

With over 20 years' experience of developing innovative, high-quality solutions tailored to the precise needs of our customers, we have the knowledge, expertise and understanding to ensure you improve the efficiency of your processes.

Why Paint Manufacturers Choose HPS:

- ✓ **Reliable Prevention of Cross-Contamination**
- ✓ **Larger Pigs Specifically Designed for Paint Processing**
- ✓ **Works with Standard Stainless Steel Tube, No Need for Specialist Pipe**
- ✓ **Special 'T' Valves Minimise Dead Space**
- ✓ **Fully Detectable Pigs enable PLC Control and Automation**
- ✓ **Reduced Risk of Human Error**
- ✓ **Fast Operation and Massively Reduces Washout Times**
- ✓ **Highly Efficient and Cost-Effective: Payback Typically Less than 12 months**
- ✓ **Higher Product Yields, Lower Labour Costs, Less Downtime**
- ✓ **Reduced Waste and Waste Processing**
- ✓ **Faster Changeovers**
- ✓ **Reduced Water and Cleaning Fluid Usage**
- ✓ **Positive Environmental Impact**
- ✓ **Increased Profits, Productivity and Efficiency**

"Although the idea of introducing the system was based mainly on production losses, we've seen clear additional benefits with a significant reduction in washout times and waste"

- Tornado Project Team, Unilever

Reliability and Effectiveness Assured

The fast operation of HPS systems, combined with larger diameter pigs specifically designed for paint processing, ensures highly efficient, reliable and cost-effective operation. The extremely high percentage of product removed avoids cross-contamination, even if the paint has started to set.

We understand you can't take risks with your processes. That's why our engineers will work with you to ensure your solution meets your requirements - *before* it leaves our factory.

Tested To Your Satisfaction

A previous customer carried out extensive testing prior to implementation that included:

- ✓ Over **100 pigging cycles** AND leaving the **product in the pipe overnight**
- ✓ Collecting **swab samples** for analysis
- ✓ Using an **Endoscopic camera** to test the cleanliness of pipework
- ✓ Results showed **less than 10 PPM** of residue

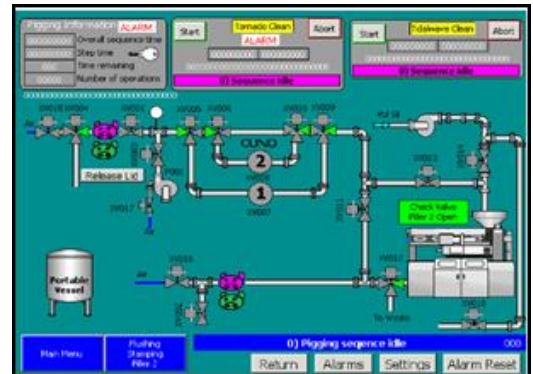


Endoscopic Image showing internal pipe after pigging

Clear, Tangible Improvements

Following installation of the system, our customer gave us these figures:

- ✓ Average **35.7 kg** (with average value **€35.70**) of **product recovered** during **each clean**
- ✓ **Changeover time reduced** from around 20 minutes to less than 7 minutes
- ✓ Large **reduction in cleaning fluid usage** each washout: from 60kg to 20kg
- ✓ Risk of **human error massively reduced** due to programmable washouts
- ✓ Our **software** enables them to easily adapt the process as required



Automation Increases Efficiency and Reduces Risk

Some of Our Customers



Find Out More

To improve the efficiency and effectiveness of your paint manufacturing operation, contact our friendly, highly experienced engineers:

United Kingdom:

T: +44 (0) 115 925 4700 E: info@HPS-Pigging.com

US and Canada:

T: +1 908 858 5225 E: USA@hps-pigging.com

Australasia:

T: +61 (0)8 8278 1009 E: Australia@hps-pigging.com

Quality . Innovation . Simplicity . Integrity

E: info@HPS-Pigging.com T: +44 (0) 115 925 4700 W: www.HPS-Pigging.com

