



Curved Belt Conveyor KGF-P 2040.02



Efficiently transporting goods around curves
while maintaining product alignment

Curved Belt Conveyor KGF-P 2040.02

» Transporting goods around curves while maintaining product alignment. «



With the new KGF-P 2040.02 curved belt conveyor, mk has added a higher-capacity version to its belt portfolio.

Compared to the KGF-P 2040, this version has a higher usable width and load capacity, a faster conveying speed and a more robust design. Piece goods with a total load up to 50 kg can be conveyed around curves while maintaining their alignment. The conveyor has an aluminium profile design and is compatible with all other mk conveyor systems.

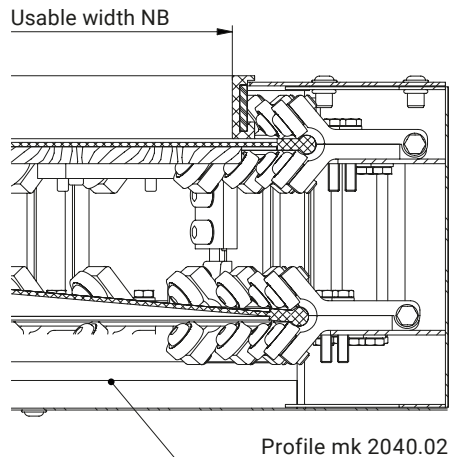
The conveyor belt is driven by a conical driving roll with a friction-lock connection. A guide geometry on the edge continuously guides the belt in stationary ball bearings at the outer radius. This allows the belt to run extremely smoothly, even at high speeds. The drive is mounted on the outer edge of the curve. The motor can be variably aligned.

The KGF-P 2040.02 is available with an outer radius of either 1,000 or 1,500 mm, both of which have a scale of usable widths. Each version is available as either a left-hand curve or a right-hand curve.

Benefits of the KGF-P 2040.02

- Extended area of application
 - Usable width up to 900 mm
 - Conveyed load up to 50 kg
 - Conveyor speed up to 60 m/min
- Particularly quiet
- Optimally adapted to interlink with GUF-P 2000 belt conveyor
- Long maintenance intervals and low maintenance effort

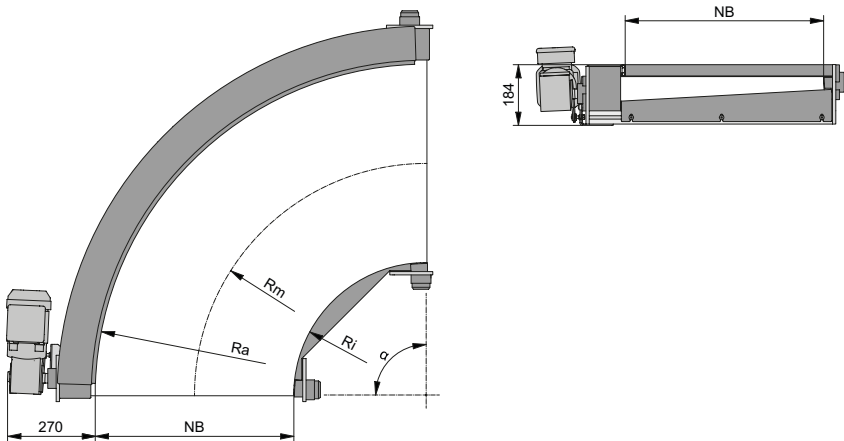
Cross Section



AF – Head drive with conical driving roll

B20.40. ...

This version of the KGF-P 2040.02 has an outer radius of 1,000 mm and is available in usable widths from 300 to 600 mm. The conical driving roll has a diameter of 88 mm on the outer edge of the curve. The order number and other essential order information can be found on page 7.



Versions NB 600 mm, R_a 1.000 mm, R_i 400 mm

Technical data

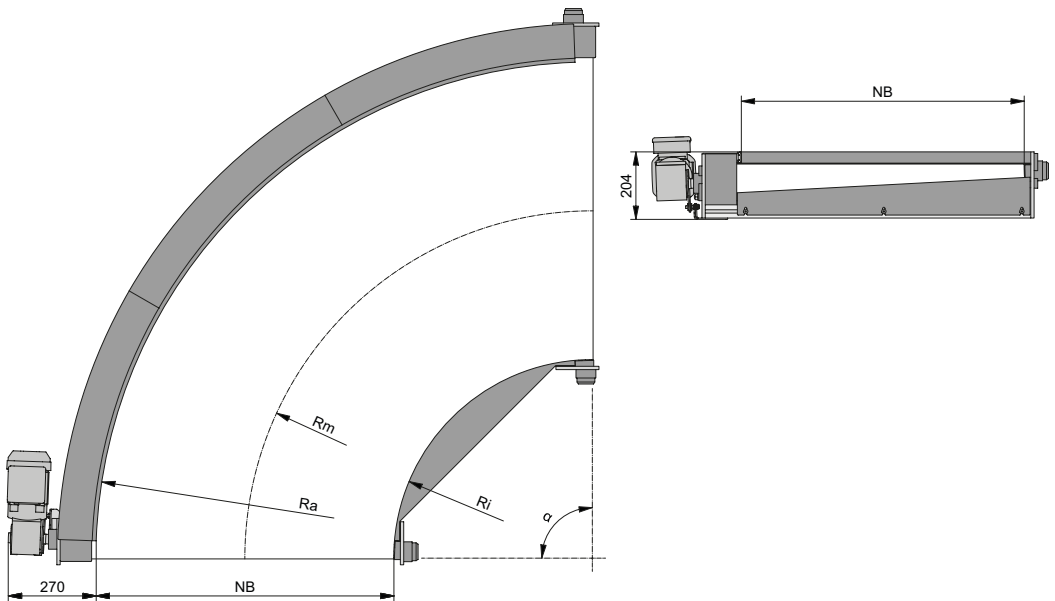
Conveying angle α	90°	
Dimensions	Usable width 300 mm, R_a 1.000 mm, R_i 700 mm Usable width 400 mm, R_a 1.000 mm, R_i 600 mm Usable width 500 mm, R_a 1.000 mm, R_i 500 mm Usable width 600 mm, R_a 1.000 mm, R_i 400 mm	
Drive location	Discharge end on the outer edge of the curve	
Drive and speed	up to 50 m/min (related to R_m)	
Stands	Specific stand version R_a 1.000 mm	p. 6
Standard total load	up to 50 kg	
Belts	Belts with guide geometry	p. 6



AF – Head drive with conical driving roll

B20.40. ...

This version of the KGF-P 2040.02 has an outer radius of 1,500 mm and is available in usable widths from 600 to 900 mm. The conical driving roll has a diameter of 105 mm on the outer edge of the curve. The order number and other essential order information can be found on page 7.

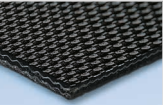
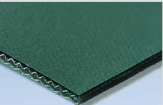
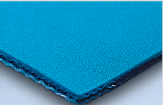
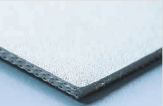
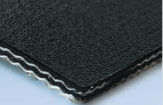


Versions NB 900 mm, R_a 1.500 mm, R_i 600 mm

Technical data

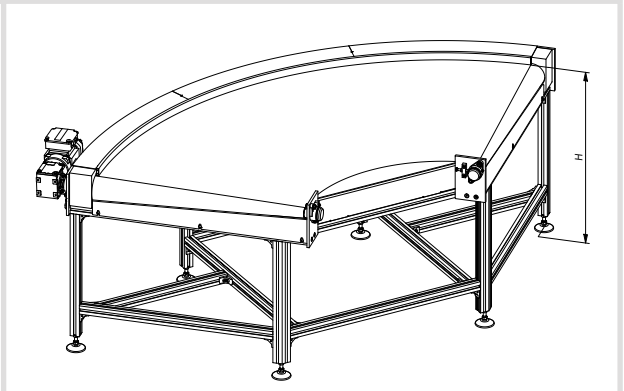
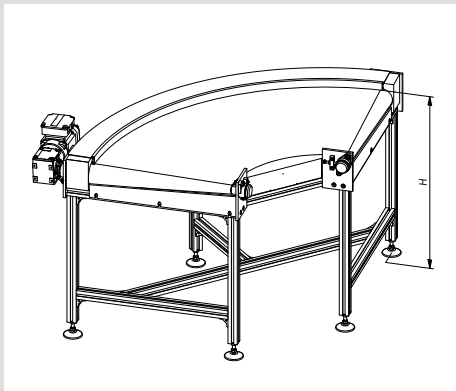
Conveying angle α	90°	
Dimensions	Usable width 600 mm, R_a 1.500 mm, R_i 900 mm Usable width 700 mm, R_a 1.500 mm, R_i 800 mm Usable width 800 mm, R_a 1.500 mm, R_i 700 mm Usable width 900 mm, R_a 1.500 mm, R_i 600 mm	
Drive location	Discharge end on the outer edge of the curve	
Drive and speed	up to 60 m/min. (related to R_m)	
Stands	Specific stand version R_a 1.500 mm	p. 6
Standard total load	up to 50 kg	
Belts	Belts with guide geometry	p. 6

KGF-P 2040.02 Belts and Stands

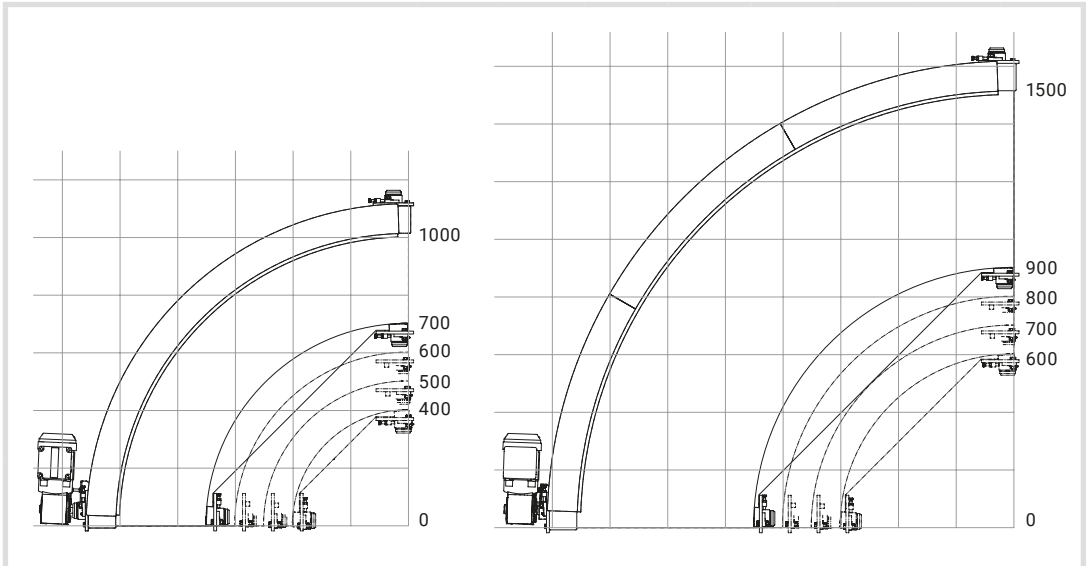
Item no. and designation	Allows for accumulated operation	Material	Colour	Surface	Min. \varnothing of the tail	Permissible temperature	Approx. belt thickness	Properties
K1029060 GU-V0306-060SW								
	No	PVC	Black	Structured	30 mm	-15 to 80 °C	2,3 mm	antistatic, flame retardant
K1029061 GU-U0308-061DG								
	No	PU	Green	Smooth	14 mm	-20 to 90 °C	1,5 mm	antistatic, FDA-compliant, oil-resistant
K1029062 GU-U0310-062-LB								
	No	PU	Blue	Smooth	15 mm	-20 to 90 °C	1,5 mm	FDA-compliant, oil-resistant
K1029063 GU-U0310-063-WE								
	No	PU	White	Smooth	12 mm	-20 to 90 °C	1,5 mm	FDA-compliant, oil-resistant
K1029064 GU-V0312-064SW								
	No	PVC	Black	Smooth	35 mm	-10 to 80 °C	2,2 mm	antistatic, flame retardant

Stand version R_a 1.000 mm

Stand version R_a 1.500 mm



KGF-P 2040.02 Versions



The item number consists of B20.40 and the version number.

Version R_a 1.000 mm	B20.40.	022	023	024	025	026	027	028	029
Usable width NB		300		400		500		600	
Internal radius R_i		700		600		500		400	
Curve in conveying direction*		left (ccw)	right (cw)	left (ccw)	right (cw)	left (ccw)	right (cw)	left (ccw)	right (cw)
Version R_a 1.500 mm	B20.40.	030	031	032	033	034	035	036	037
Usable width NB		600		700		800		900	
Internal radius R_i		900		800		700		600	
Curve in conveying direction*		left (ccw)	right (cw)	left (ccw)	right (cw)	left (ccw)	right (cw)	left (ccw)	right (cw)

* cw: clockwise | ccw: counter-clockwise

Sample order

Item number	B20.40.037
Conveyor speed m/min relative to the belt centre R_m	15 m/min.
Conveying weight [kg]	30 kg
Belt type	GU-V0206-060SW
Stand yes/no, Conveyor height	Yes, 900 mm

KGF-P 2040.02 Examples



KGF-P 2040.02 curved belt conveyor with outer radius 1,000 mm and usable width 600 mm



KGF-P 2040.02 curved belt conveyor with outer radius 1,500 mm and usable width 900 mm



KGF-P 2040.02 curved belt conveyor with outer radius 1,000 mm and usable width 300 mm



KGF-P 2040.02 curved belt conveyor in combination with GUF-P 2000

www.mk-group.com



Maschinenbau Kitz GmbH
Headquarters of the mk Technology Group

TECHNOLOGY GROUP
mk®