



versa*move*
standard

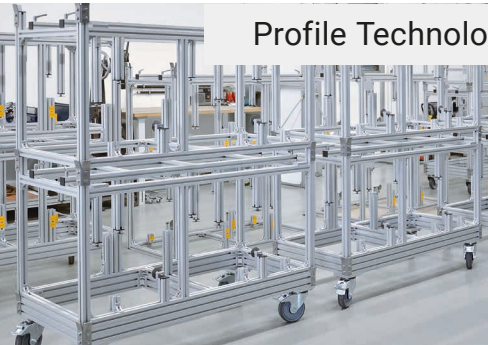


 Now also
fully electric

Modular Construction Kit for Factory Automation



Profile Technology



» Components,
modules and solutions for
factory automation. «

Conveyor Technology



Maschinenbau Kitz, the parent company of the mk Technology Group, was founded in 1966 in Troisdorf, near Bonn, Germany. mk is one of the leading suppliers of components, modules and systems for factory automation.

Our portfolio of profile technology includes workstation set-ups, guarding and custom-designed machine frames and platforms, in addition to the aluminium profile system on which they are based.

System Solutions



In the field of conveyor technology, mk offers an extensive range of standardised conveyor types, supplemented with linear technology for precision handling applications.

Furthermore, mk is on hand to assist its customers with system solutions, from project planning and design to the commissioning of complete transfer systems.

Our services round off the product portfolio and include repairs, maintenance and a spare parts supply service.

Services



With our deep production, sales and service network consisting of subsidiaries, sales partners and external service providers, we guarantee our customers fast access to our expert advice and outstanding products.

Versamove standard – the compact pallet system

Properties

- ✓ Up to 40 kg total weight per pallet
- ✓ Pallet sizes: 240 x 240 to 400 x 400 mm
- ✓ Fully electric version available

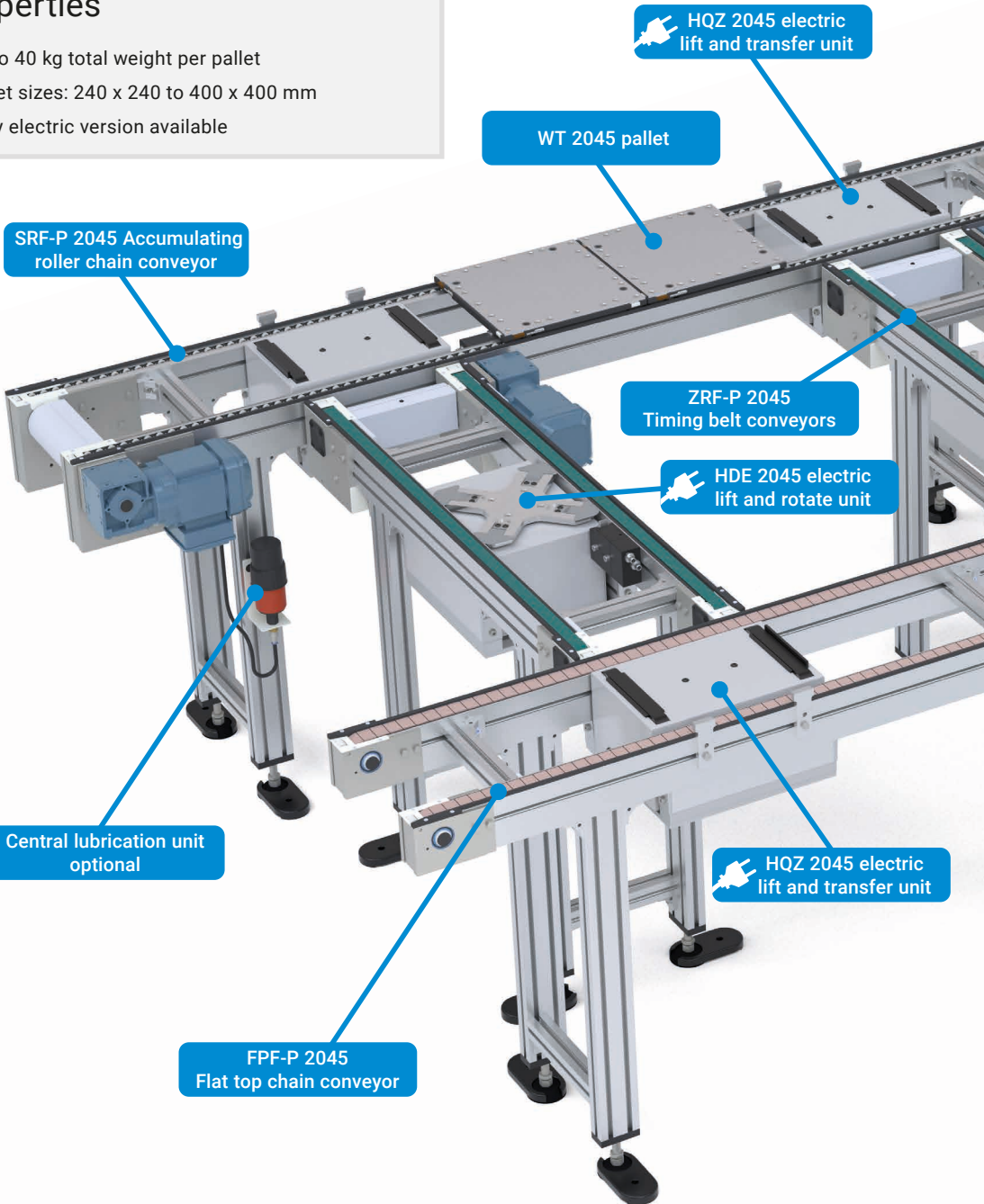
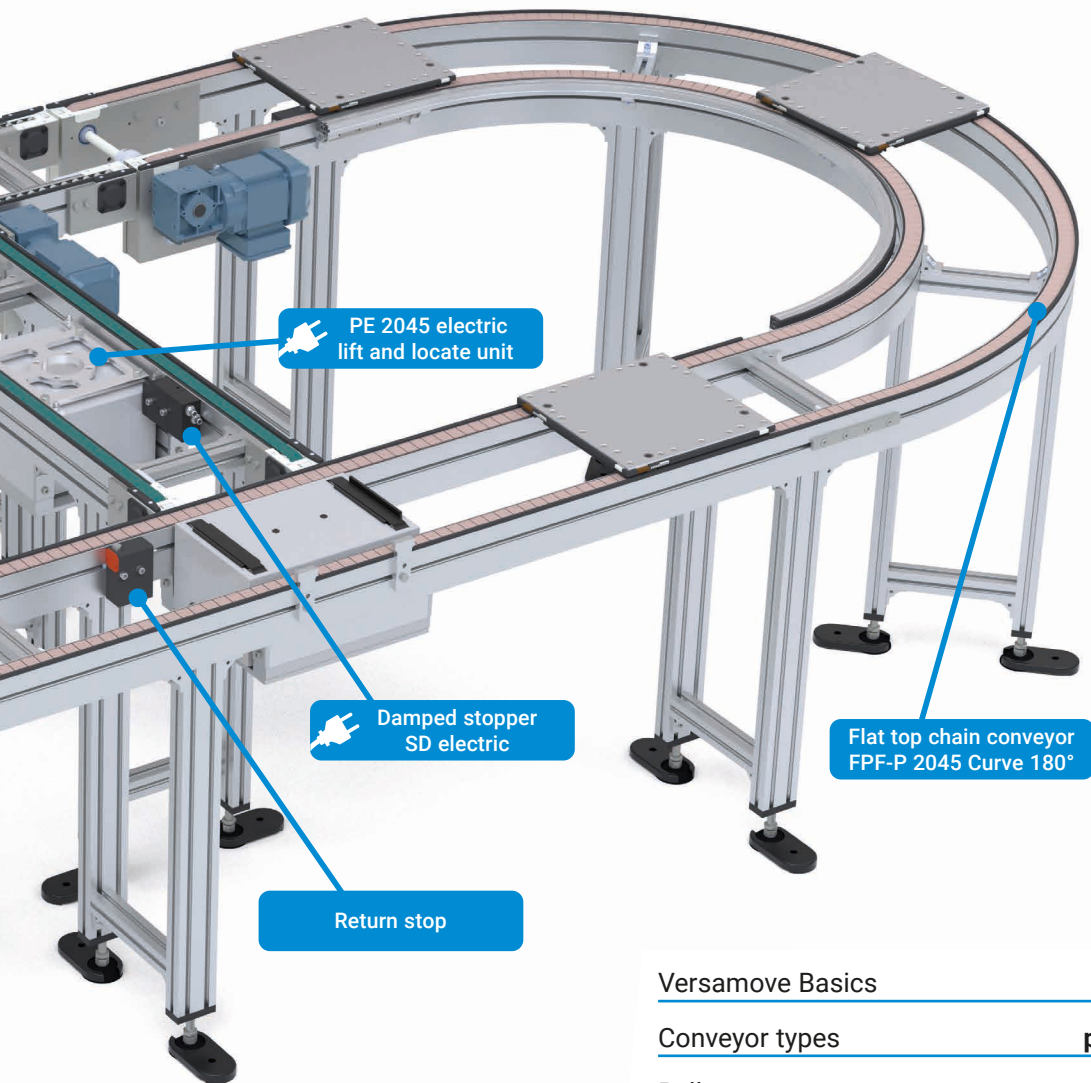
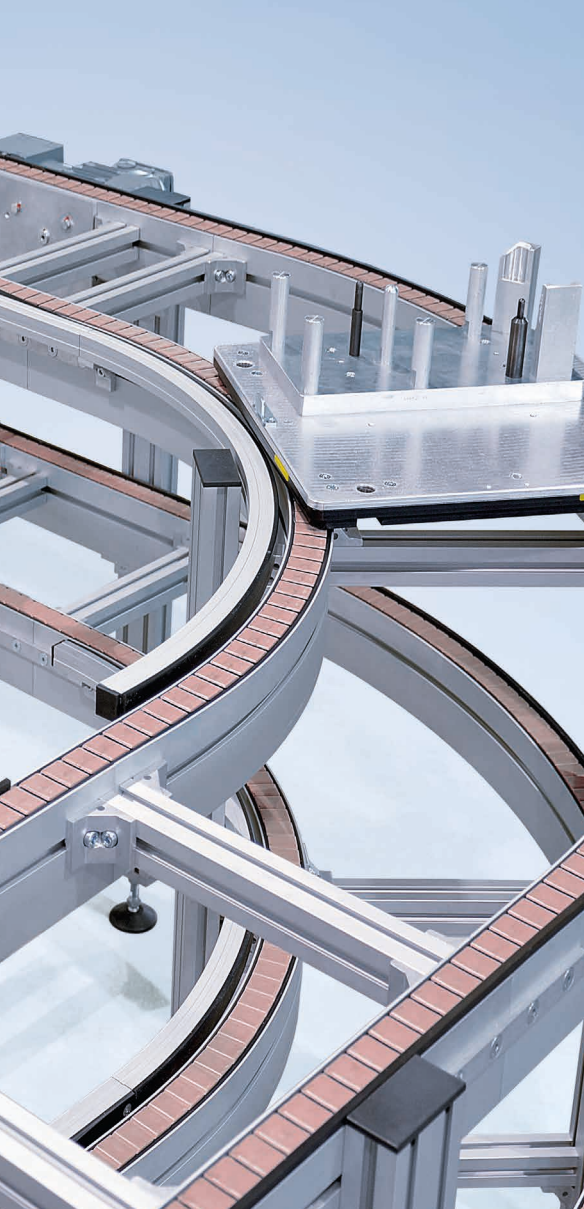


Illustration shows fully electric Versamove standard electric version



Versamove Basics	p. 6
Conveyor types	p. 12
Pallets	p. 27
Function modules, electrical	p. 28
Function modules, pneumatic	p. 32
Special modules	p. 36
Stands	p. 39

Versamove – the pallet system



» Versamove standard – a versatile automation and material flow solution. «

Versamove is a modular transfer system for transporting pallets that can be used in almost all areas of automation and material flow. With three weight and size classes, Versamove has the perfect solution for every task.








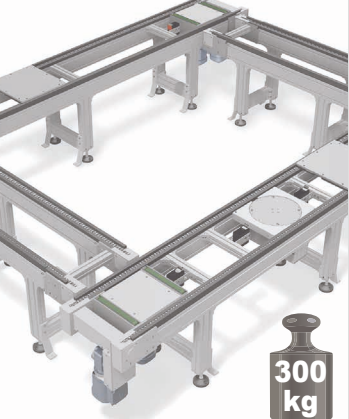


With the introduction of **Versamove standard electric**, a fully electric version of the most compact of the Versamove systems is now available for the first time. Versamove standard also offers cost-effective curved modules and is compatible with other systems and pallets available on the market. Integration into existing systems could not be simpler.

The system offers a wide range of pallet sizes and various conveyor types, making it extremely flexible. Timing belt conveyors enable fast cycle operation with high precision, while accumulating roller chain conveyors are ideal for accumulated operation and heavier loads. The flat top chain conveyor is also capable of accumulated operation and also enables transfer using a cost-effective curve module.

By combining the system with function modules, which are now available in electric or pneumatic versions, such as lift and transfer conveyors, rotating and lift and locate units, stoppers and lifts, the transfer system is tailored precisely to customer specifications.

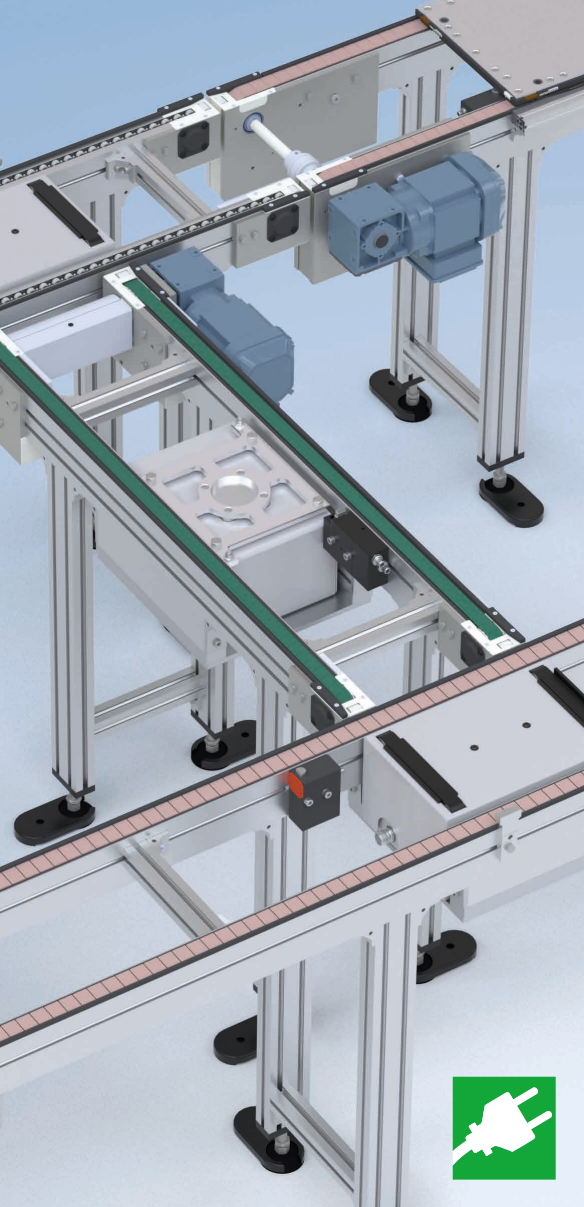
Whether it's for individual modules or complete solutions, mk always offers comprehensive service for the Versamove, including on-site control and start-up, if required.

Versamove standard – the most compact Versamove system

  	  	  
Total load of pallet		
up to 40 kg	up to 100 kg	up to 300 kg
Pallet sizes		
Width: 240 to 480 mm Length: 240 to 480 mm	Width: 400 to 800 mm Length: 400 to 1040 mm	Width: 600 to 1200 mm Length: 600 to 1200 mm
Frame cross-section		
100 x 45 mm	100 x 50 mm	135 x 60 mm
Conveyor types		
Timing belt conveyors Accumulating roller chain conveyor Flat top chain conveyor	Timing belt conveyors Chain conveyor Accumulating roller chain conveyor	Accumulating roller chain conveyor
Special features		
Fully electric version available Curved 	Various pallet sizes	Extremely robust

Also refer to www.mk-versamove.com

Versamove standard – fully electric



» Versamove standard electric - fully electric pallet system. «

For Versamove standard, the function units are also now available in fully electric variants, which completely eliminates the need for a compressed air supply. This version can be retrofitted into existing Versamove systems at any time.

A fully electric pallet circulation system can be **set up very quickly** thanks to its central power supply and controller, as well as its pre-assembled cable that is ready to plug in. As a result, only minimal production downtime is required when replacing an existing system or integrating it into a new production line.

Fully electric function units are very **energy efficient**, unlike the pneumatic versions, where electrical energy is inefficiently converted into compressed air. Common issues with leaking compressed air from older systems are also avoided, which leads to significantly lower operating costs.

In addition, electromechanical drives are **low-maintenance** and have a **long service life**, which reduces maintenance costs and increases availability.

Flexible control is an added benefit. Electric actuators enable precise control of speed and position, which ensures improved flexibility.

Electric drives also contribute to an improved working environment thanks to their **quiet operation**, which, in turn, improves the working conditions for employees.

Finally, the lower energy requirement reduces CO2 emissions, which **helps to preserve the environment**.

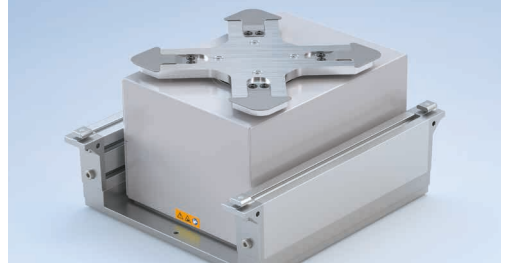
Benefits of fully electric modules

- No compressed air required
- Pre-assembled cabling (Plug & Play)
- Quick commissioning
- High energy efficiency
- No hidden cost drivers such as leaks
- Quiet operation
- Low-maintenance
- Long service life
- Flexible control
- More environmentally friendly since it is more energy efficient and requires fewer resources

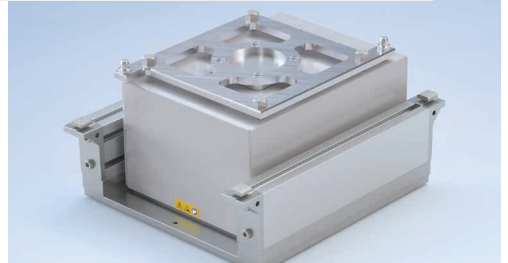
HQZ 2045 electric



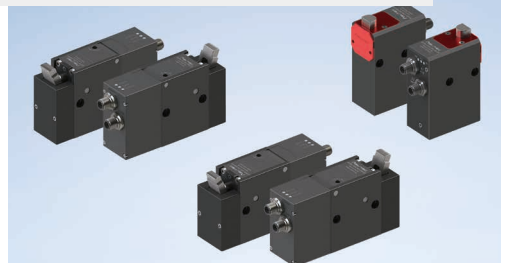
HDE 2045 electric



PE 2045 electric



SU/SD electric



Versamove standard – a solution for every requirement

How to achieve the optimal transfer system

1

Information



In addition to the contents of this brochure, please refer to our website www.mk-group.com.

For an overview of the key requirements when designing a pallet system, see our request form at www.mk-group.com/service/download-center.

2

Requests and advice

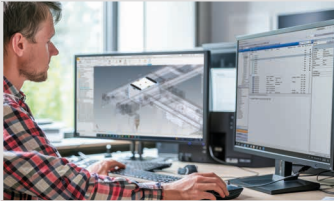


Get in touch with your mk technical contact at www.mk-group.com/contact.

Our technical field team will be happy to assist you on site or to discuss your project planning via video conference, telephone or e-mail.

3

System configuration



Based on your task and requirements, the following is determined:

- Layout
- Power supply (fully electric or semi-pneumatic)
- Conveyor types
- Function modules
- Controller

4

Order and production



We design, manufacture and assemble your system. Our qualified fitters are available to perform commissioning on site.

Prior functional tests and approvals can be carried out in full at mk. This ensures that your on-site production can get under way quickly and smoothly.

5

Your production start



Your production can start now – we are on hand both for this step and for subsequent maintenance of the system. Depending on customers' individual requirements, we offer customised maintenance contracts – no matter whether you use modules in your machine or complete systems in your production line.

Benefits of mk service

Planning and project management

- Conceptual design of a feasible process
- Definition and selection of suitable modules
- Pretesting at the quotation phase
- Failure mode and effects analysis (FMEA)
- Life cycle and cost (LCC) analysis



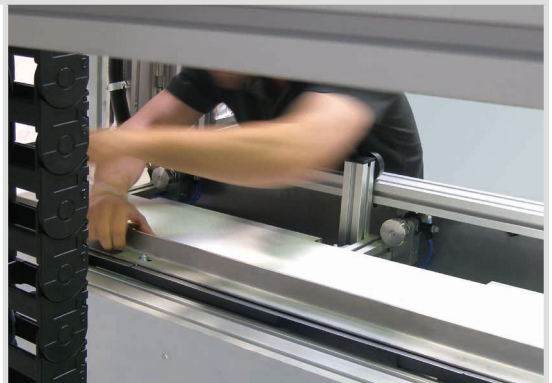
Commissioning and quality assurance

- Installation and commissioning
- Functional inspection
- Customer-specific acceptance
- On-site instruction and training
- Quality assurance



Maintenance and spare parts supply service

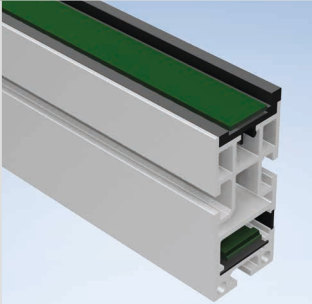
- Scalable availability
- Competent on-site technicians
- Use of remote diagnostics systems and preventive maintenance
- Rapid supply of spare parts with high availability



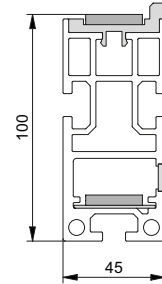
Conveyor Types

Timing belt conveyors ZRF-P 2045

from page 13



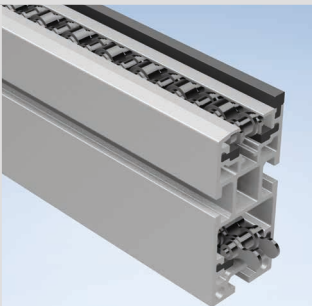
- Ideal for cycle operation
- High speeds and acceleration
- Quieter operation compared to other conveyor types
- Low-maintenance
- Reverse operation possible
- Antistatic design optional
- Based on profile mk 2262



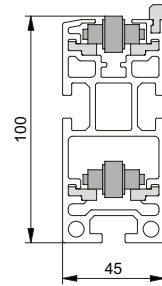
Widths [mm]	Lengths [mm]	Total load* [kg]	Speed [m/min]
255-655	600-6000	up to 200 as standard	up to 30

Accumulating roller chain conveyor SRF-P 2045

from page 18



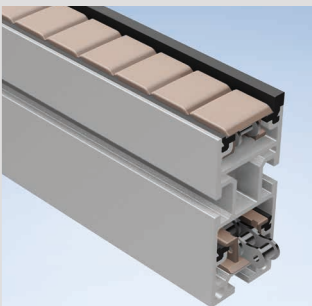
- Ideal for accumulated operation
- Optimal for heavy loads
- Higher operating temperatures possible
- Accumulating rollers available in steel or plastic
- Automatic tensioning station included
- Antistatic design optional
- Based on profile mk 2263



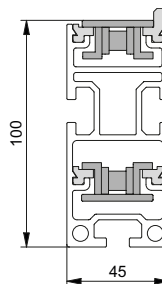
Widths [mm]	Lengths [mm]	Total load* [kg]	Speed [m/min]
255-655	600-6000	up to 500 as standard	up to 30

Flat top chain conveyor FPF-P 2045

from page 23



- Suitable for accumulated operation
- Curved from a minimum radius of 600 mm
- 90° and 180° curves with a drive
- Automatic tensioning station included
- Antistatic design optional
- Based on profile mk 2261

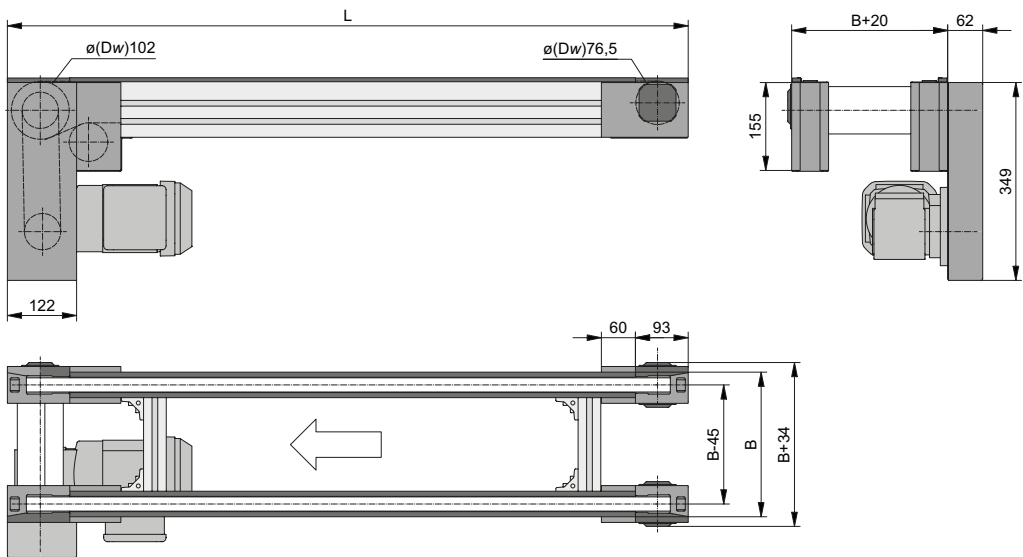


Widths [mm]	Lengths [mm]	Total load* [kg]	Speed [m/min]
235-495	500-6000	up to 400 as standard	up to 18

AC – Standard head drive

B20.45.303

The timing belt pulley ensures excellent transmission of the motor power. The recirculation of the timing belt in the profile ensures a compact design and safe operation.



Technical data

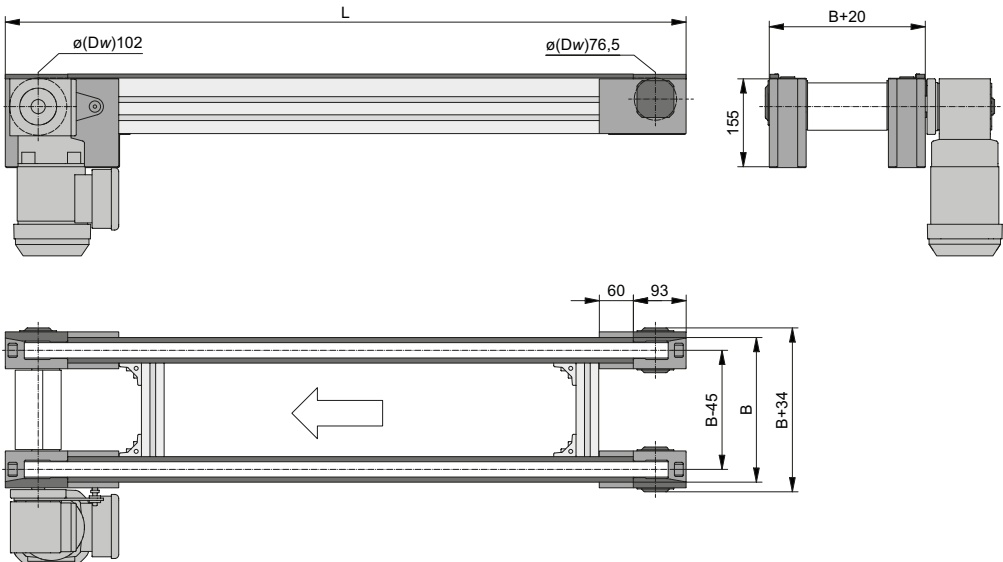
Conveyor length L	600 to 6000 mm	
Conveyor width B	255 to 655 mm	
Timing belt width	25 mm	
Timing belt type		p. 17
Drive location	discharge end left/right, underneath	
Drive and speed	6-30 m/min	
Stands		p. 39
Standard total load	up to 200 kg	higher on request
Standard distributed load	up to 60 kg/m	

ZRF-P 2045

AF – Direct head drive

B20.45.301

Since the motor is fitted directly onto the drive shaft, the space requirements and maintenance effort for this drive version are reduced to a minimum. The recirculation of the timing belt in the profile ensures a compact design and safe operation.



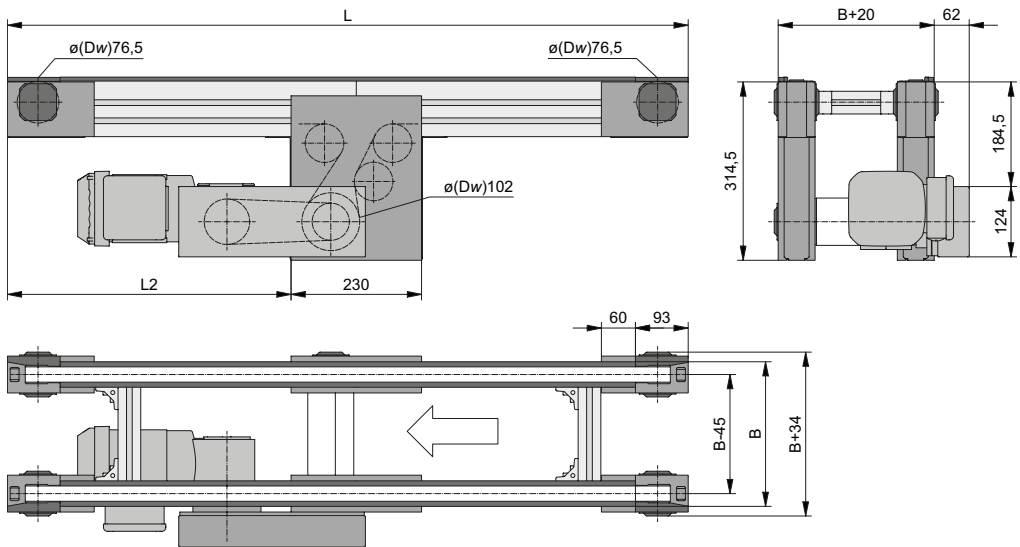
Technical data

Conveyor length L	600 to 6000 mm	
Conveyor width B	255 to 655 mm	
Timing belt width	25 mm	
Timing belt type		p. 17
Drive location	discharge end left/right	
Drive and speed	6-30 m/min	
Stands		p. 39
Standard total load	up to 200 kg	higher on request
Standard distributed load	up to 60 kg/m	

BC – Lower belt drive, standard

B20.45.307

The compact conveyor frame design and the ability to freely select the drive position between the tensioning elements by specifying L2 make it easier to integrate the conveyor into existing systems. The timing belt pulley combined with the snub rollers ensures excellent transmission of the motor power. The recirculation of the timing belt in the profile ensures a compact design and safe operation.



Technical data

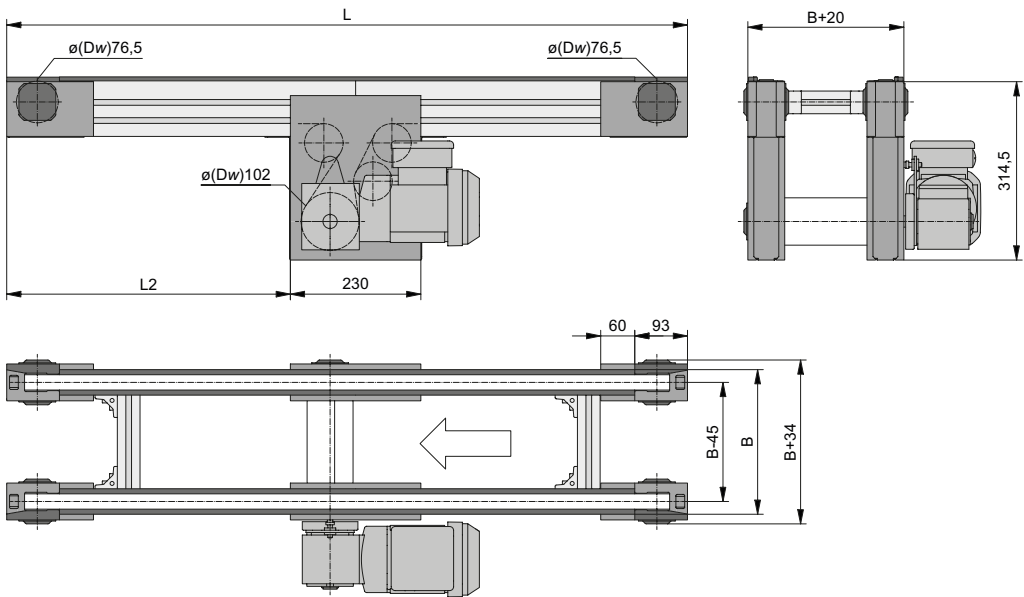
Conveyor length L	700 to 6000 mm	
Conveyor width B	255 to 655 mm	
Timing belt width	25 mm	
Timing belt type		p. 17
Drive location	left/right, underneath	
Drive and speed	6-30 m/min	
Stands		p. 39
Standard total load	up to 200 kg	higher on request
Standard distributed load	up to 60 kg/m	

ZRF-P 2045

BF – Lower belt drive, direct

B20.45.305

Since the motor is fitted directly onto the drive shaft, the space requirements and maintenance effort for this drive version are reduced to a minimum. The compact conveyor frame design and the ability to freely select the drive position between the tensioning elements by specifying L2 make it easier to integrate the conveyor into existing systems. The recirculation of the timing belt in the profile ensures a compact design and safe operation.



Technical data

Conveyor length L	700-6000 mm	
Conveyor width B	255 up to 655 mm	
Timing belt width	25 mm	
Timing belt type		p. 17
Drive location	left/right, underneath	
Drive and speed	6-30 m/min	
Stands		p. 39
Standard total load	up to 200 kg	higher on request
Standard distributed load	up to 60 kg/m	

Timing Belts for ZRF-P 2045

The standard timing belts are made from polyurethane reinforced with high-strength steel cords. The belts have the T10 partition and a width of 25 mm.

Timing belt material

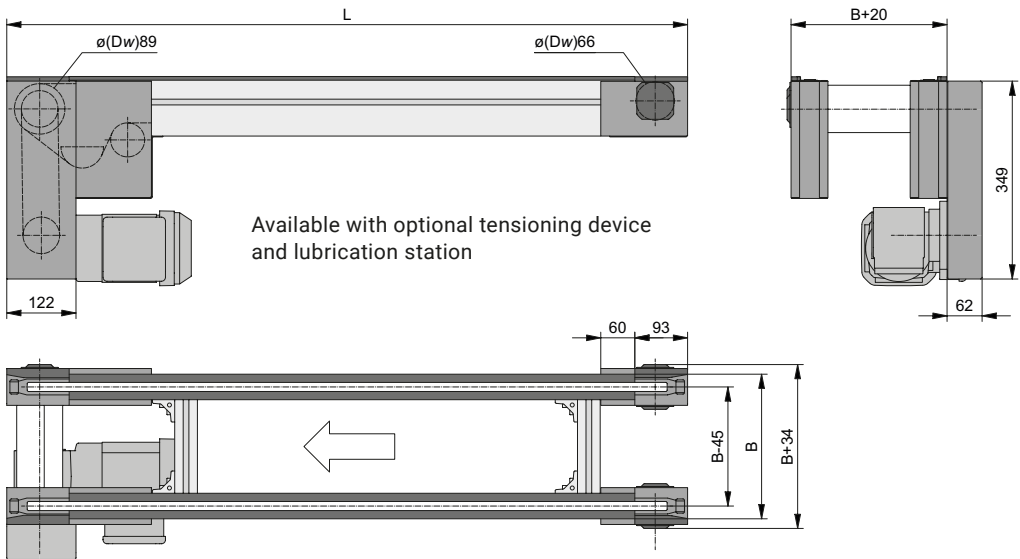
Properties	Surface coating	
	Polyamid PAR/PAZ* (standard)	PVC, white, FDA
Resistance to moisture		
Resistance to oil and grease		+ -
Suitable for contact with food (FDA compliant)		+
Abrasion resistance		
Wear resistance		
Adhesion property (inclined conveying)		
Anti-frictional property (accumulated operation)	+	
Cut resistance		
Low noise emissions	+ (PAZ)	
Colour	Green	White
Temperature resistance	-20 to +60°C	-20 to +60°C
Hardness		65 Shore A

*PAR = polyamide rear (carrying) side; PAZ = polyamide tooth side

AC – Standard head drive

B20.45.503

The drive chain on indirect drives can be used as a reduction gear. This makes it easy to design the conveyor with the appropriate speed, particularly in the low-speed range. The recirculation of the chain in the profile ensures a compact design and safe operation.



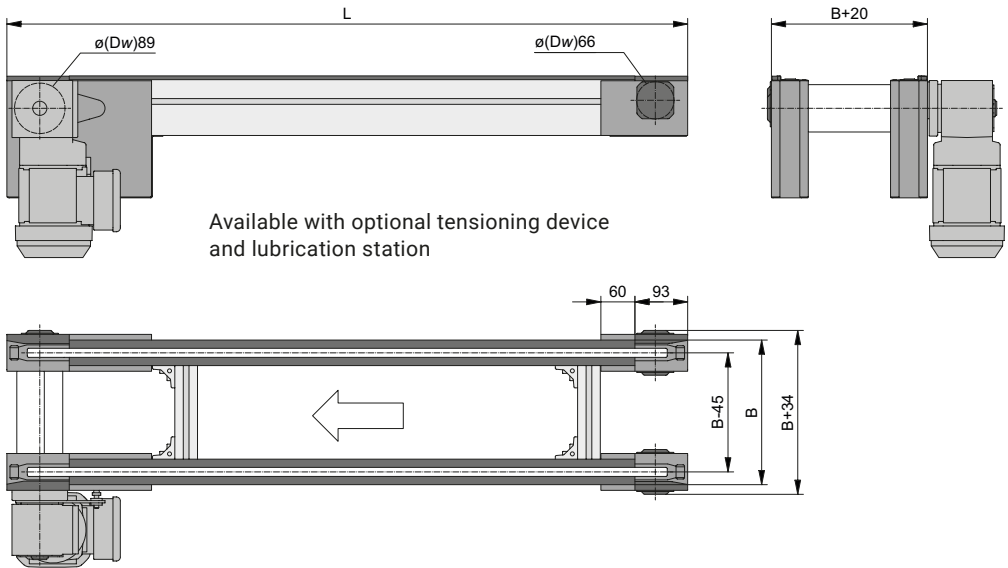
Technical data

Conveyor length L	600 to 6000	
Conveyor width B	255 to 655 mm	
Chains	spacing 1/2", accumulating roller chain \varnothing 16 mm	p. 22
Drive location	discharge end left/right, underneath	
Drive and speed	up to 30 m/min	
Stands		p. 39
Standard total load	up to 500 kg	higher on request
Standard distributed load	up to 80 kg/m	

AF – Direct head drive

B20.45.501

Since the motor is fitted directly onto the drive shaft, the space requirements and maintenance effort for this drive version are reduced to a minimum. The recirculation of the chain in the profile ensures a compact design and safe operation.



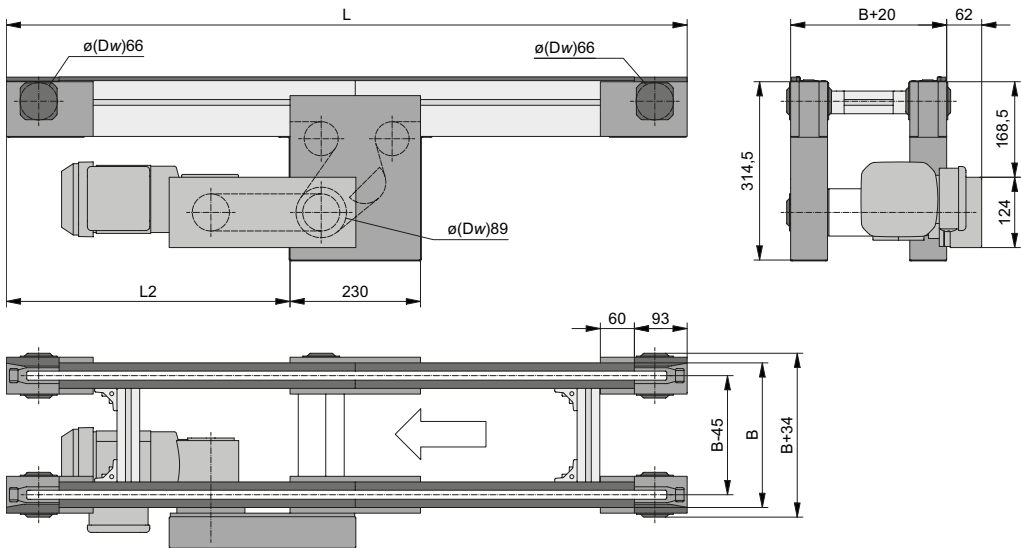
Technical data

Conveyor length L	600 to 6000	
Conveyor width B	255 to 655 mm	
Chains	spacing 1/2", accumulating roller chain ø 16 mm	p. 22
Drive location	discharge end left/right	
Drive and speed	up to 30 m/min	
Stands		p. 39
Standard total load	up to 500 kg	higher on request
Standard distributed load	up to 80 kg/m	

BC – Lower run drive, standard

B20.45.507

The compact conveyor frame design and the ability to freely select the drive position between the tensioning elements by specifying L2 make it easier to integrate the conveyor into existing systems. The drive sprocket wheel in conjunction with the constriction sprockets ensures excellent transmission of engine power. The recirculation of the chain in the profile ensures a compact design and safe operation.



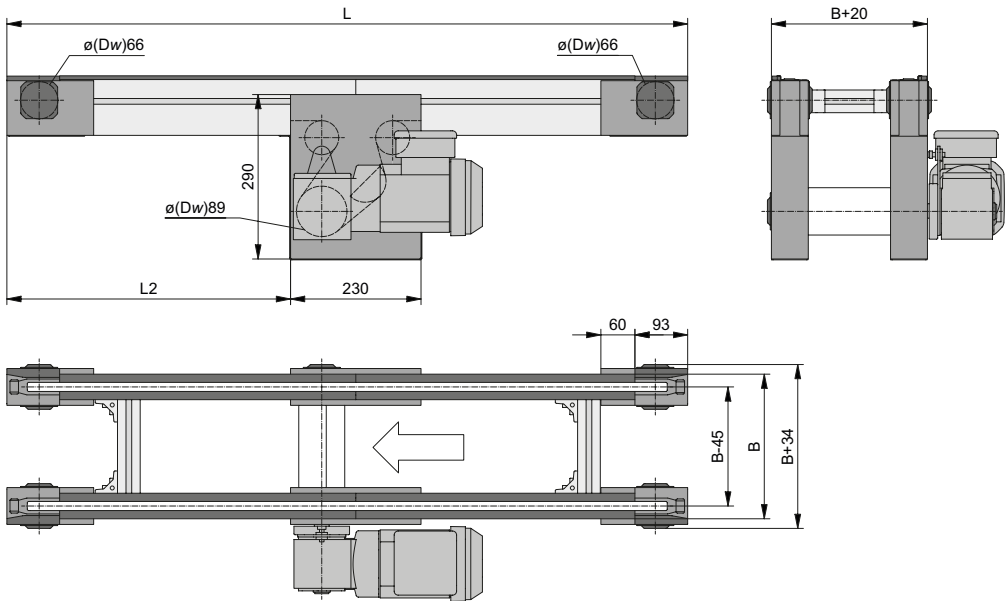
Technical data

Conveyor length L	600 to 6000	
Conveyor width B	255 to 655 mm	
Chains	spacing 1/2", accumulating roller chain \varnothing 16 mm	p. 22
Drive location	left/right, underneath	
Drive and speed	up to 30 m/min	
Stands		p. 39
Standard total load	up to 500 kg	higher on request
Standard distributed load	up to 80 kg/m	

BF – Lower run drive, direct

B20.45.505

Since the motor is fitted directly onto the drive shaft, the space requirements and maintenance effort for this drive version are reduced to a minimum. The compact conveyor frame design and the ability to freely select the drive position between the tensioning elements by specifying L2 make it easier to integrate the conveyor into existing systems. The recirculation of the chain in the profile ensures a compact design and safe operation.



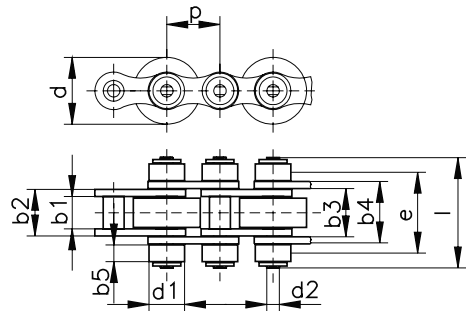
Technical data

Conveyor length L	600 to 6000	
Conveyor width B	255 to 655 mm	
Chains	spacing 1/2", accumulating roller chain \varnothing 16 mm	p. 22
Drive location	left/right, underneath	
Drive and speed	up to 30 m/min	
Stands		p. 39
Standard total load	up to 500 kg	higher on request
Standard distributed load	up to 80 kg/m	



Accumulating roller chains for SRF-P 2045

Accumulating roller chain with accumulating rollers in series



SRF-P 2045

K11418	Chain, steel roller	
K11435	Chain, plastic roller	
K11425	Chain, steel roller	with finger protection
K11424	Chain, plastic roller	with finger protection
K114180001	Connecting link	

Dimensions in mm

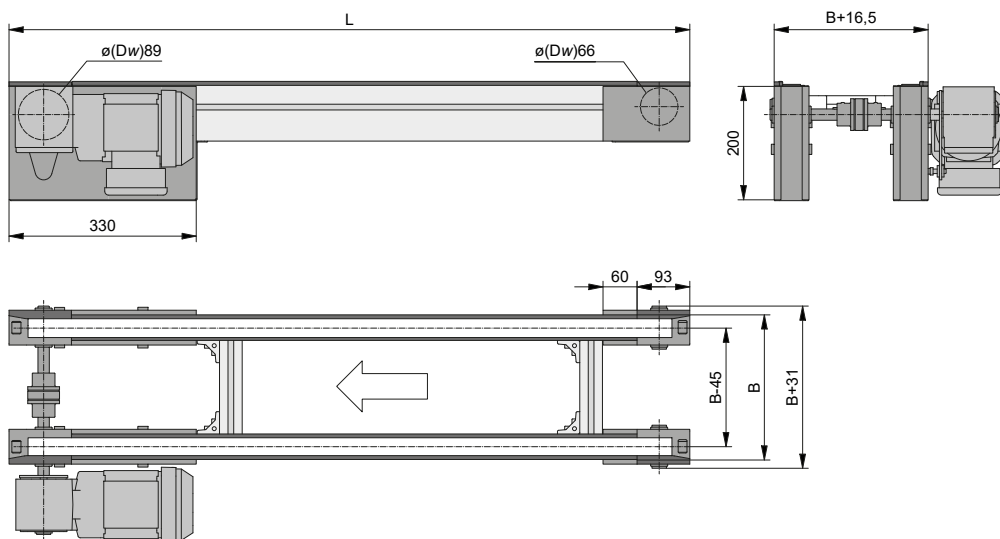
p	12,70 (1/2")
b1	7,75
b2	11,15
b3	11,40
b4	14,70
d1	8,50
d2	4,45
l	27
b5	4
d	16

up to 60° C, special version up to 120° C

AF – Direct head drive

B20.45.600

The drive pulley ensures excellent transmission of the motor power. The recirculation of the flat top chain in the profile ensures a compact design and safe operation.



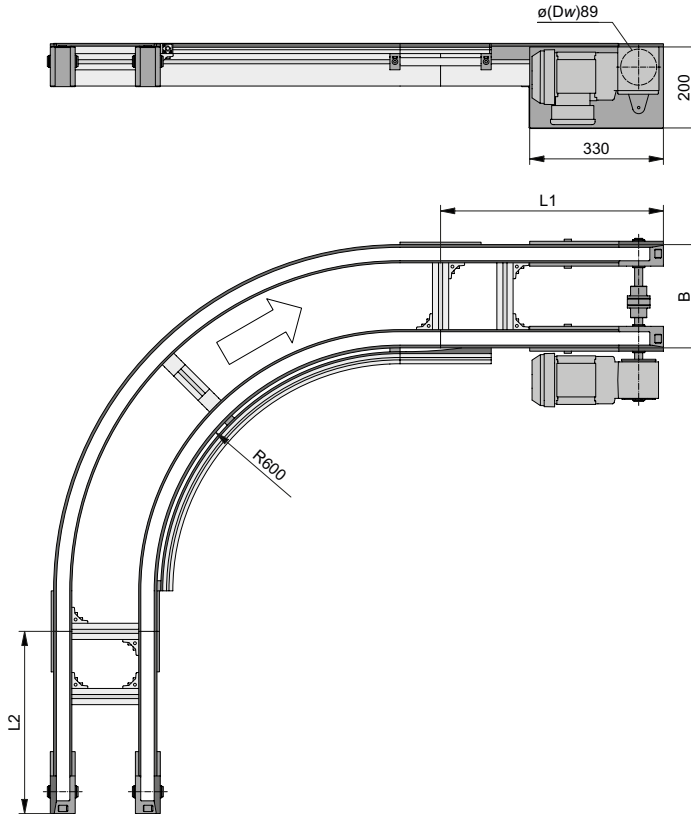
Technical data

Conveyor length L	individual from 600-6000 mm	
Conveyor width B	255 to 495 mm	
Flat top chain	spacing 1/2", width 5/16"; transport width 31.8 mm	p. 26
Drive location	discharge end left/right, underneath	
Drive and speed	up to 7.6; 9.7; 12.0; 14.3; 18.0 m/min	higher on request
Stands		p. 39
Standard total load	up to 400 kg	higher on request
Standard distributed load	up to 70 kg/m	

FPF-P 2045 Curved

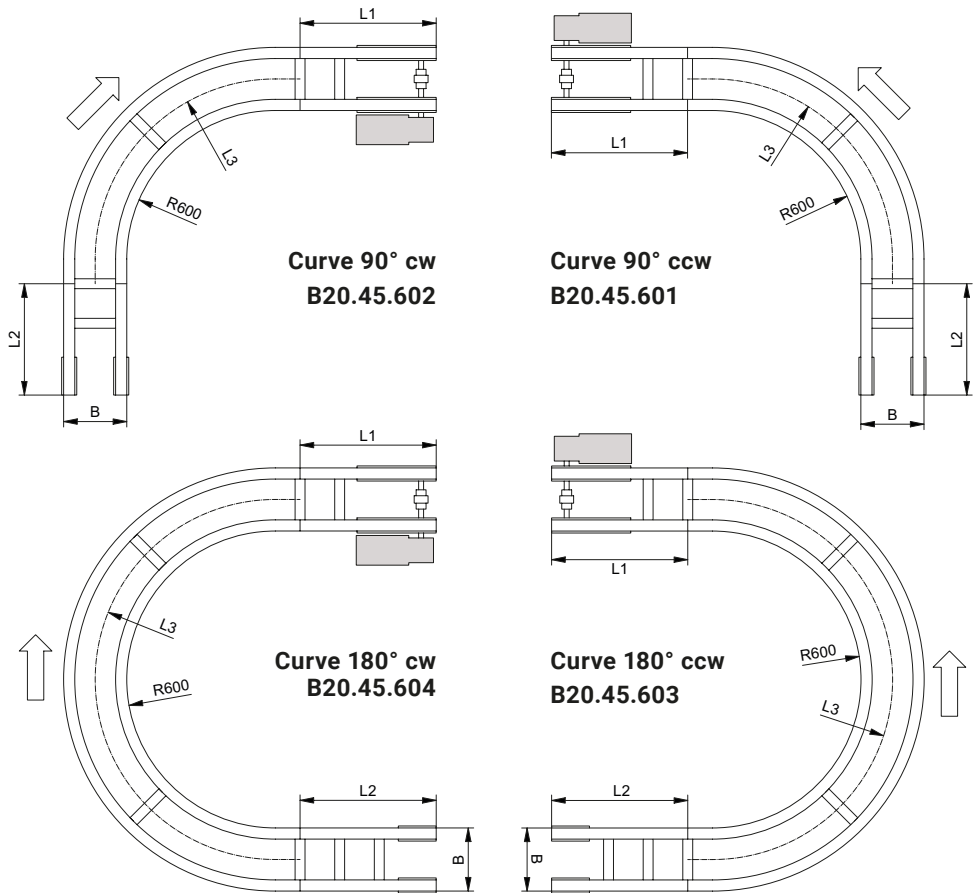
AF – Curved

The curve of the flat top chain conveyor is available for square pallets from 240-480 mm. The drive pulley ensures excellent transmission of the motor power. The recirculation of the flat top chain in the profile ensures a compact design and safe operation.



Technical data

Conveyor length L	min. length of straight sections: Infeed L2 450 mm, Outfeed L1 550 mm (90°/180°). Inner radius R: 600 mm	
Conveyor width B	255, 335, 415 and 495 mm	
Flat top chain	spacing 1/2", width 5/16"; transport width 31.8 mm	p. 26
Drive location	discharge end left/right, underneath	
Drive and speed	up to 7.6; 9.7; 12.0; 14.3; 18.0 m/min	higher on request
Stands		p. 39
Standard total load	up to 400 kg	
Standard distributed load	up to 70 kg/m	higher on request



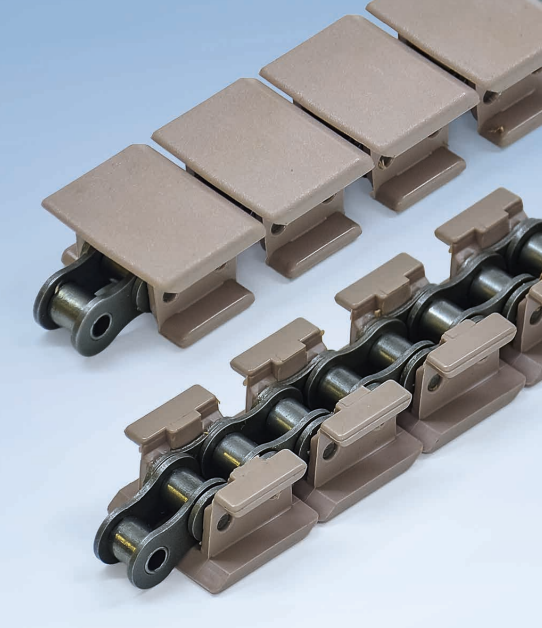
cw: clockwise/right in conveying direction | ccw: counter-clockwise/left in conveying direction

90° Curved

Dimensions WT [mm]	L1 _{min} [mm]	L2 _{min} [mm]	L3 [mm]	Max. (L1+L2+L3) [mm]
240 x 240	550	450	1150	6000
320 x 320			1250	
400 x 400			1300	
480 x 480			1350	

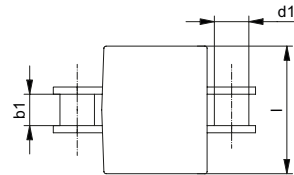
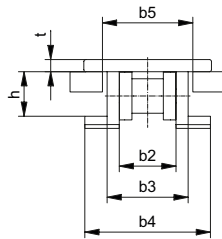
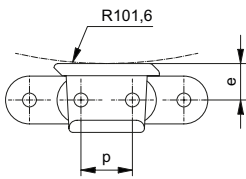
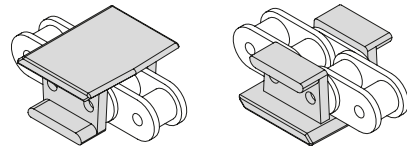
180° Curved

Dimensions WT [mm]	L1 _{min} [mm]	L2 _{min} [mm]	L3 [mm]	Max. (L1+L2+L3) [mm]
240 x 240	550	450	2300	6000
320 x 320			2450	
400 x 400			2550	
480 x 480			2700	



Flat top chains for FPF-P 2045

Flat top chain consisting of steel roller chain
with plastic plates

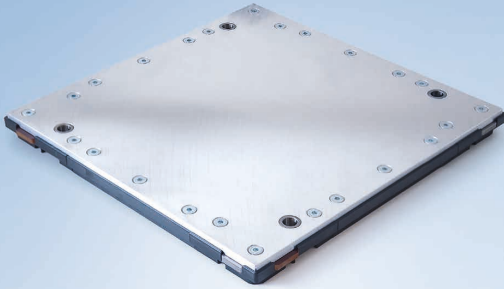


FPF-P 2045

K114490001	Flat top chain	Steel roller chain with plastic plates
K114491001	Connecting link	

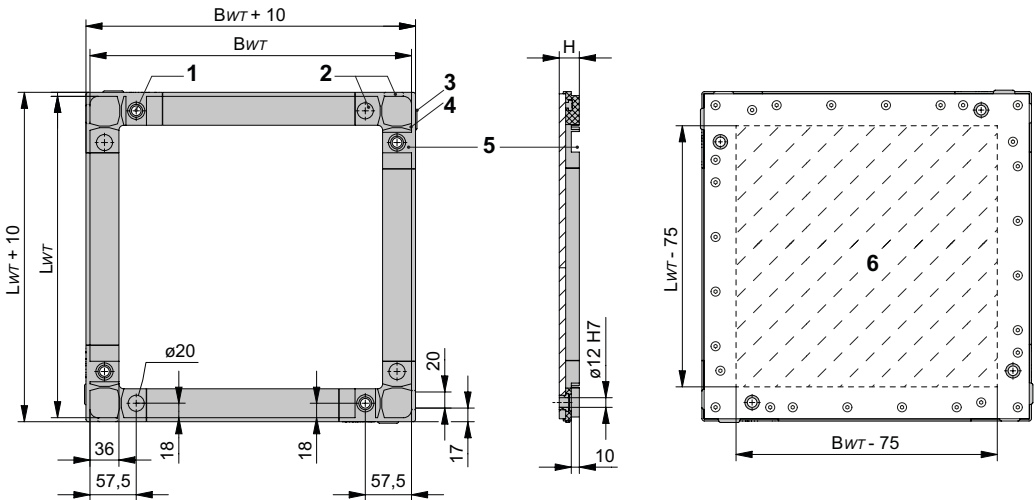
Dimensions in mm

p	12.70 (1/2")
b1	7.95
b2	14
b3	20
b4	31
b5	22.3
d1	7.95
e	9
h	11
l	31.8
t	3



Pallets WT 2045

Pallets are used to transport workpieces along a production line. The workpieces are attached to the pallet in a fixed position. The pallet is constructed from a robust but lightweight aluminium support plate. This is equipped with PE wear strips, positioning sockets and integrated bumpers. mk pallets can also be customised based on a basic model. Please note that the clear width of the side rail must be 1.5 mm wider than the width of the pallet to guide the pallet in the optimal way.



- 1 Centring bush
- 2 Effective area for initiator
- 3 Damping element (1.8 mm)
- 4 Guide groove
- 5 Separator passage
- 6 Free space for workpiece fixtures

Ident. no.	Width B_{WT} [mm]	Length L_{WT} [mm]	Support plate [mm]	Total height H [mm]
B4612AE _____	160; 200-640	160; 200-640	8	25
B4612AF _____	160; 200-640	160; 200-640	10	27
B4612AG _____	160; 200-640	160; 200-640	12	29

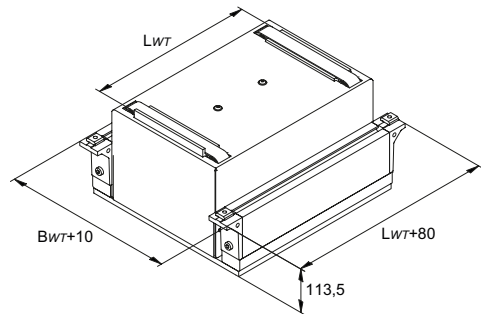
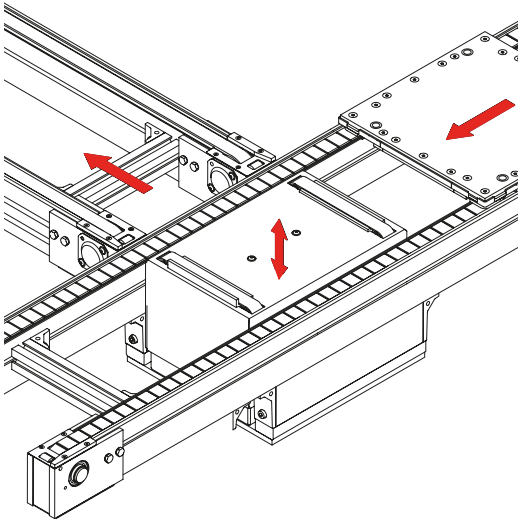
The optimum thickness of the support plate depends, among other things, on the pallet size, the load, the centre of gravity of the load and the workpiece fixture. Where customised special solutions are required, we also provide specially adapted pallets. We would be happy to advise you.

Function modules, electrical



HQZ 2045 electric lift and transfer unit

The HQZ electric lift and transfer conveyor timing belt enables the efficient discharge of pallets from a longitudinal section to a transverse section, or the feeding in of pallets from a transverse section to a longitudinal section. Thanks to its low installation height, it saves space and can be integrated into a wide variety of applications. The pallet is lifted approx. 14 mm and then transferred to the cross conveyor or the pallet is taken by the cross conveyor at a height of 14 mm. An external stopper is not required. A return stop may be required for accumulating roller chain conveyors.



Fully electric lift and transfer unit
HQZ 2045 electric

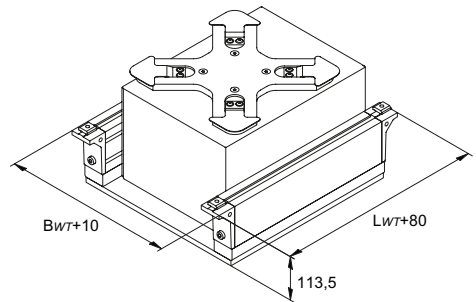
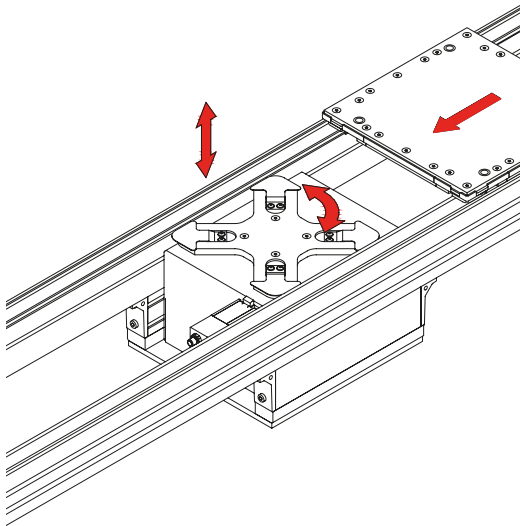
Ident. no.	Designation	Width B_{WT} [mm]	Length L_{WT} [mm]
B47.00.000	HQZ 2045 electric	320	320
B47.00.001	HQZ 2045 electric	400	400

Lift and transfer for other pallet sizes are available on request.



HDE 2045 electric lift and rotate unit

The HDE electric lift and rotate unit enables the horizontal rotation of pallets. The pallets can be rotated in 90° increments. The unit exhibits a low installation height. An external stopper is required.

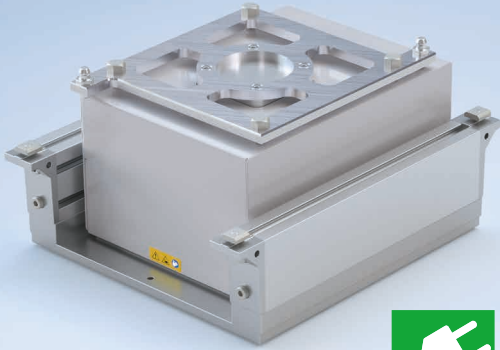


Fully electric
lift and rotate unit
HDE 2045 electric

Ident. no.	Designation	Width B _{WT} [mm]	Length L _{WT} [mm]
B47.02.000	HDE 2045 electric	320	320
B47.02.001	HDE 2045 electric	400	400

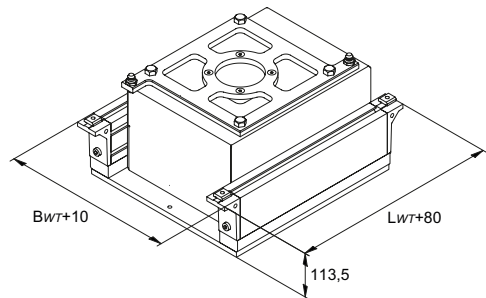
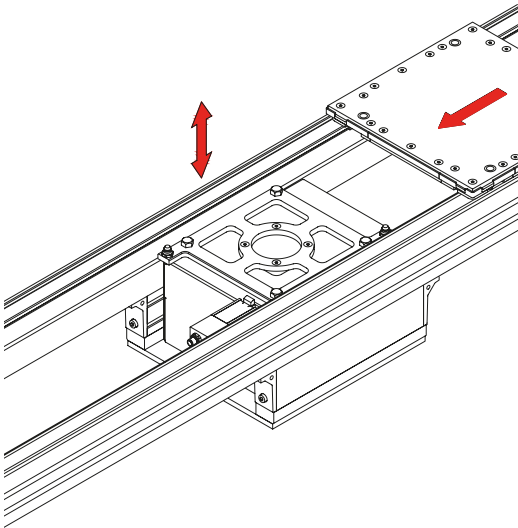
Lift and rotate for other pallet sizes are available on request.

Function modules, electrical



PE 2045 electric lift and locate unit

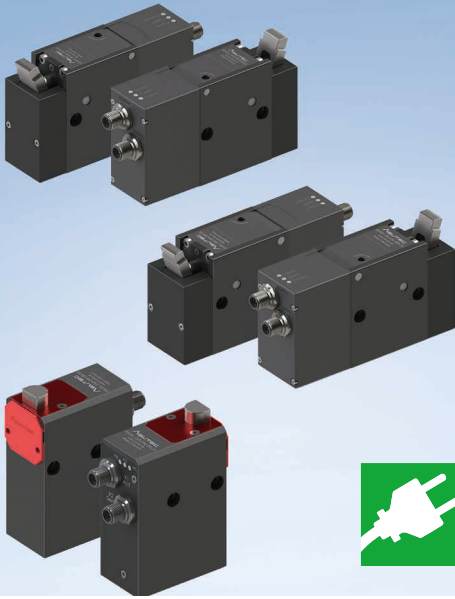
The PE electric lift and locate unit enables the precise stopping and positioning of pallets in a processing station, even when there is a high demand for repeat accuracy. It positions the mk pallet electrically in the X, Y and Z directions using centring pins (X, Y) and inductive sensor scanning (Z) with a repeat accuracy of ± 0.2 mm. The lift of the conveying medium is approx. 5 mm. The unit exhibits a low installation height. An external stopper is required.



Fully electric lift and locate unit
PE 2045 electric

Ident. no.	Designation	Width B_{WT} [mm]	Length L_{WT} [mm]
B47.01.000	PE 2045 electric	320	320
B47.01.001	PE 2045 electric	400	400

Lift and locate for other pallet sizes are available on request.

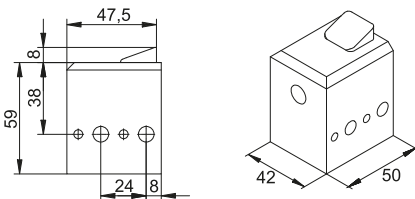


Stopper undamped SU electric/stopper damped SD electric

Stoppers are used to stop or separate the pallets. The stopper versions are selected based on the conveyor weight and conveyor speed. SD damped stoppers and SU undamped stoppers can be connected in the centre or on the sides.

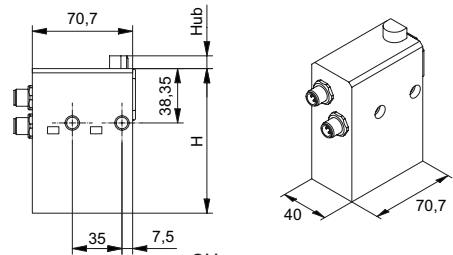
Return stop

The return stop is used in combination with a stopper in transfer systems with low belt friction and prevents pallets from recoiling/rebounding while stopping. The return stop is activated through a spring.

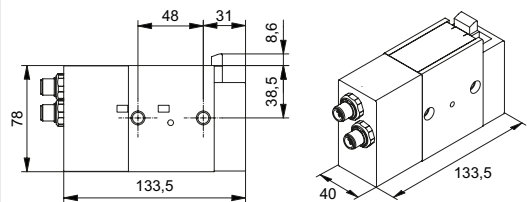


Return stop
K503030101

Lowering stroke 8 mm



SU stopper
SU electric 150

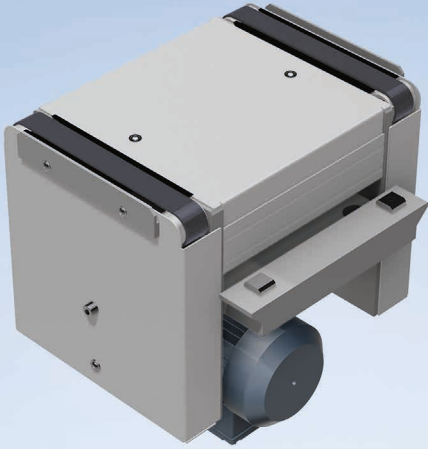


SD stopper
SD electric 50

SD electric 100

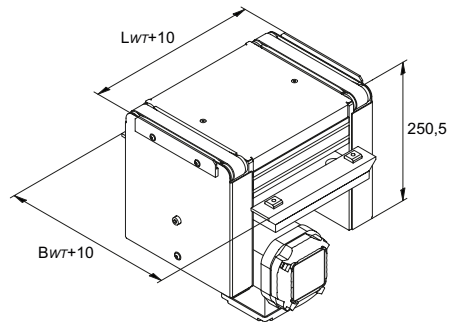
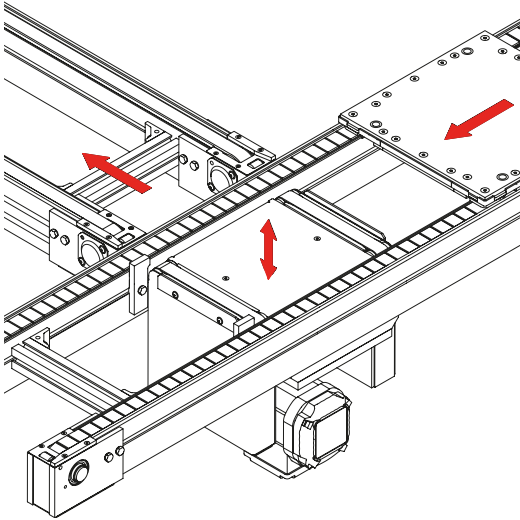
Ident. no.	Designation	Stroke [mm]	V=6 m/min [kg]	V=9 m/min [kg]	V=12 m/min [kg]	V=18 m/min [kg]
K313012151	SU electric 150	9	0-150	0-105	0-75	0-50
K313022051	SD electric 50	9	1-50	1-35	1-30	1-18
K313022101	SD electric 100	9	3-100	3-70	3-60	3-50

Function modules, pneumatic

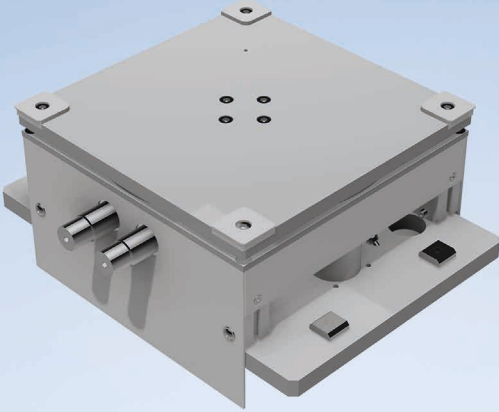


HQZ 2045 lift and transfer unit

The HQZ lift and transfer conveyor timing belt enables the efficient discharge of pallets from a longitudinal section to a transverse section, or the feeding in of pallets from a transverse section to a longitudinal section. Thanks to its low installation height, it saves space and can be integrated into a wide variety of applications. The pneumatic lifting movement with a stroke of 20 mm is precisely guided via linear roller bearings and guide rods, which ensures high stability and reliability. A manual tensioning station is already integrated. An external stopper is not required. A return stop may be required for accumulating roller chain conveyors.

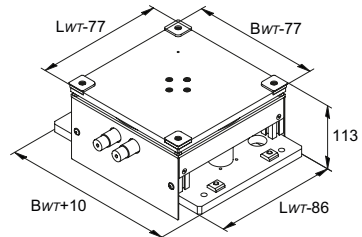
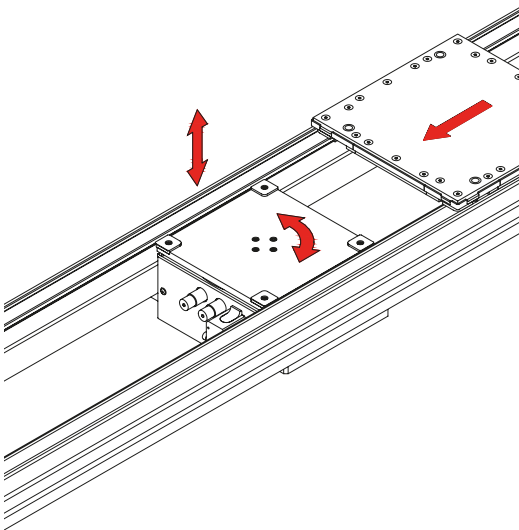


Lift and transfer unit
HQZ 2045



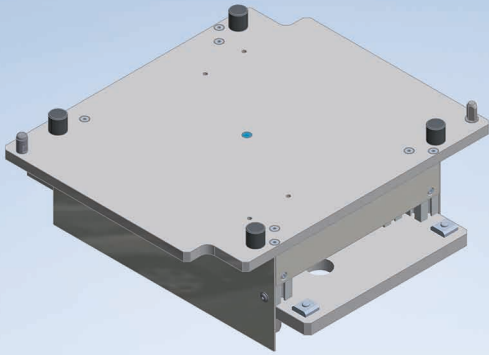
HDE 2045 lift and rotate unit

The HDE lift and rotate unit enables the horizontal rotation of pallets. The pallets can be rotated in 90° increments. The unit is characterised by its low height and allows individual rotation speeds. Both the lifting and rotating movements are controlled pneumatically, with linear roller bearings and guide rods ensuring precise guidance. An external stopper is required.



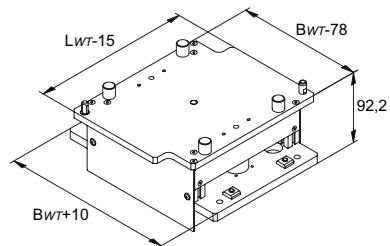
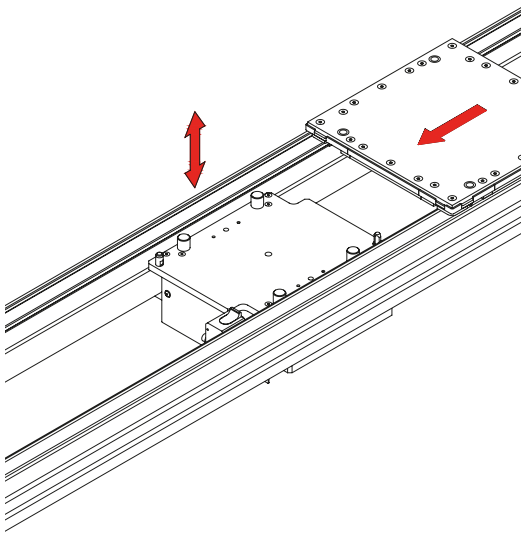
Lift and rotate unit
HDE 2045

Function modules, pneumatic



PE 2045 lift and locate unit

The PE lift and locate unit enables the precise stopping and positioning of pallets in a processing station, even when there is a high demand for repeat accuracy. It positions the pallet pneumatically in the X, Y and Z directions using positioning pins. By means of inductive position detection, the unit achieves a repeat accuracy of ± 0.2 mm with a cylinder stroke of 30 mm. An external stopper is required.



Lift and locate unit
PE 2045



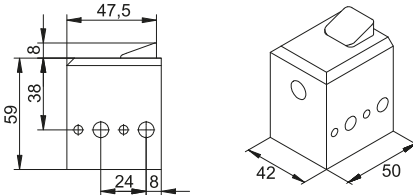
Stopper undamped SU/ stopper damped SD

Stoppers are used to stop or separate the pallets. The stopper versions are selected based on the conveyor weight and conveyor speed. SD damped stoppers or SU undamped stoppers can be connected in the centre or on the sides.

They can be requested through inductive (I) or electric (E) sensors.

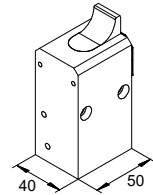
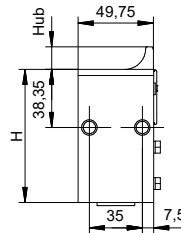
Return stop

The return stop is used in combination with a stopper in transfer systems with low belt friction and prevents pallets from recoiling/rebounding while stopping. The return stop is activated through a spring.



Return stop
K503030101

Lowering stroke 8 mm



Stopper
SD 100 / SD 250 damped
SU 400 undamped

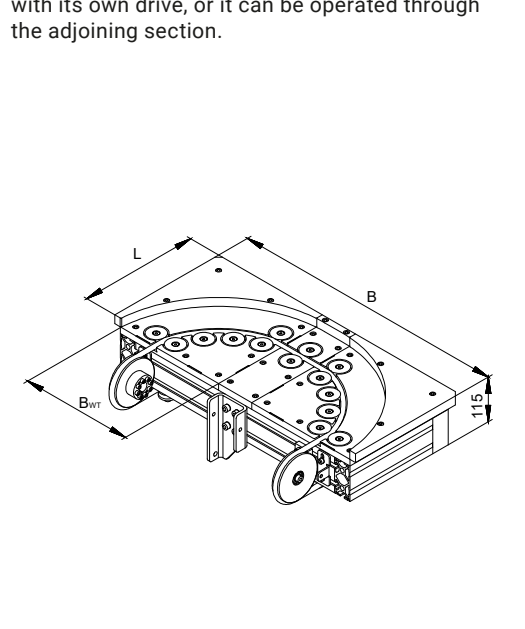
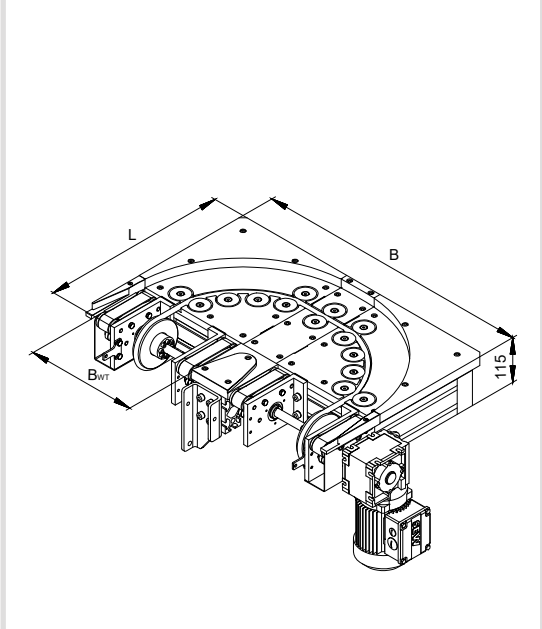
SA=single-acting (locked in a depressurised state)

Ident. no.	Designation	Detectors	Stroke [mm]	V=6 m/min [kg]	V=9 m/min [kg]	V=12 m/min [kg]	V=18 m/min [kg]
K503021102	SD 100		9	3-100	3-70	3-60	3-50
K503021103	SD 100	E	9	3-100	3-70	3-60	3-50
K503021251	SD 250		9	5-250	5-200	5-150	5-100
K503021252	SD 250	E	9	5-250	5-200	5-150	5-100
K503011401	SU 400	E	9	400	300	250	200
K503011405	SU 400	I	9	400	300	250	200
K503011404	SU 400	-	9	400	300	250	200
DA=double-acting (maintains the last position reached)							
K503012401	SU 400	E	9	400	300	250	200
K503012404	SU 400	-	9	400	300	250	200
K503012405	SU 400	I	9	400	300	250	200

Special modules

Curve Module Round Belt KER 2045

The KER* compact curve unit round belt is a space-saving module that enables turns of 90° and 180° in the smallest of spaces and is available for pallet sizes 240, 320 and 400 mm. The pallets are moved along the curve track by round belts. This allows the workpieces to maintain their orientation as they traverse the curve. The curved module can be used in place of lifting-traversing units and lifting-rotating units for transfer onto a parallel conveying path. The curved module is available with its own drive, or it can be operated through the adjoining section.

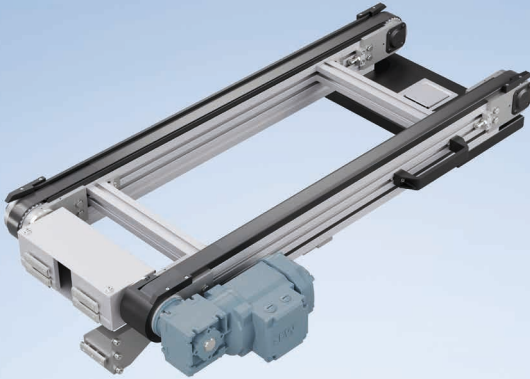


KER 2045 with drive

KER 2045 without drive

Width B _{WT}	240 mm		320 mm		400 mm	
Conveyor angle	90°	180°	90°	180°	90°	180°
Length L [mm]	406		486		566	
Width B [mm]	406	625	486	785	566	945

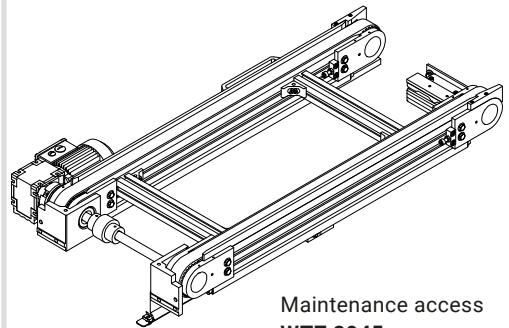
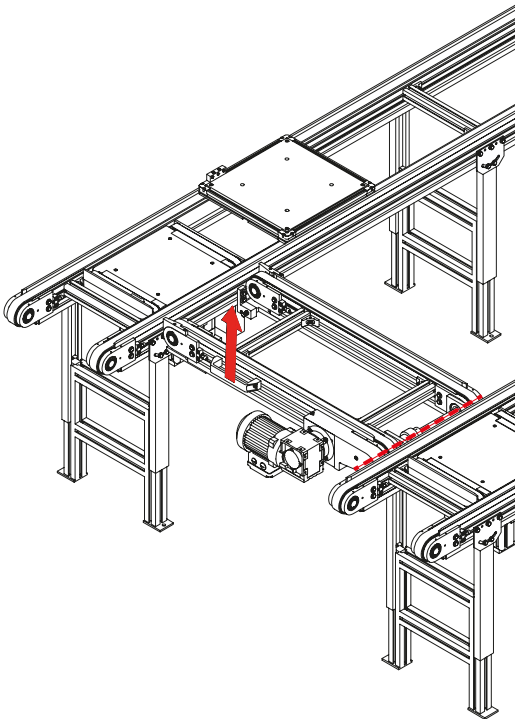
Width B _{WT}	240 mm		320 mm		400 mm	
Conveyor angle	90°	180°	90°	180°	90°	180°
Length L [mm]	276		356		436	
Width B [mm]	276	625	356	785	436	945



Maintenance access WTZ 2045

The WTZ* maintenance access is a standard timing belt conveyor with AC or AF drive that can be opened out. The maintenance access is used to make the interior of the circulation system accessible and thus to be able to carry out maintenance work safely and easily. The integrated pneumatic spring allows ergonomic handling and prevents the conveyor from falling back. In the closed position, the conveyor can be secured mechanically with a catch or electrically with a solenoid latch.

Maintenance access can be integrated into the longitudinal or transverse transfer and can also be used with a chain conveyor.

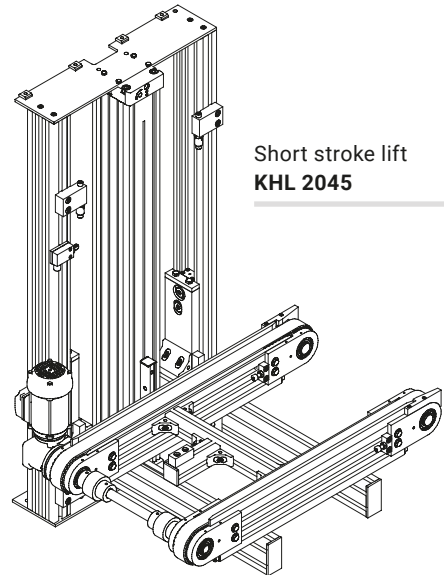
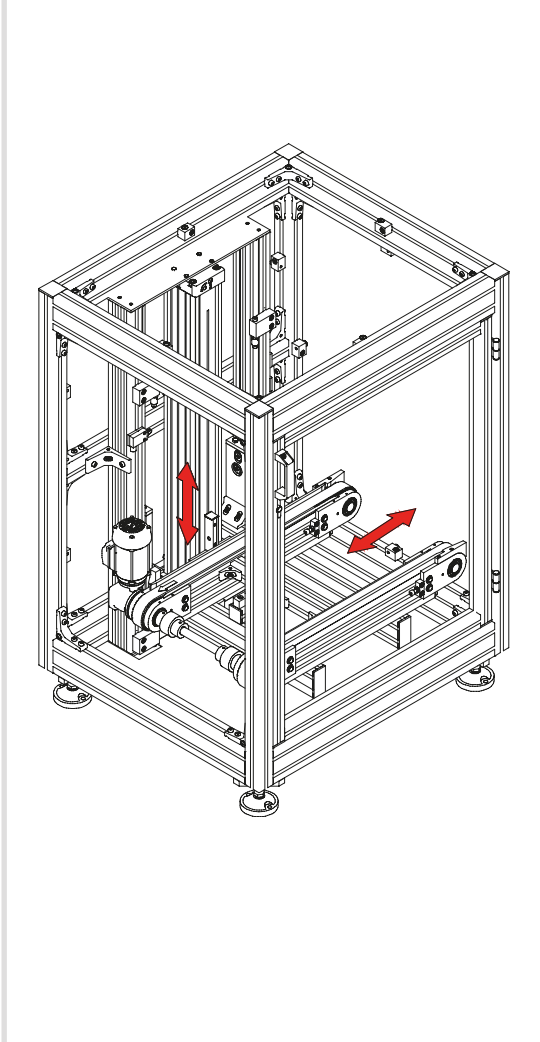
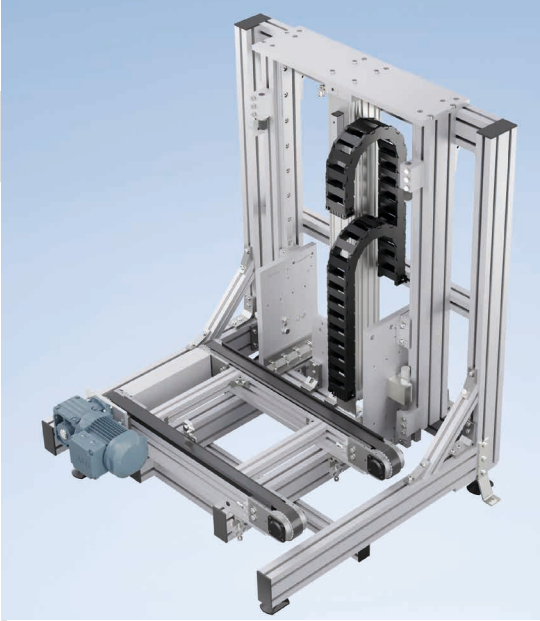


Maintenance access
WTZ 2045

Special modules

KHL 2045 short stroke lift

The KHL* short-stroke lift enables precise access to two different transport heights by means of pneumatic raising and lowering. The lift speed can be continuously adjusted. The lift can be equipped with all conveyor types.



Short stroke lift
KHL 2045



Stand S55.1

B67.06.011

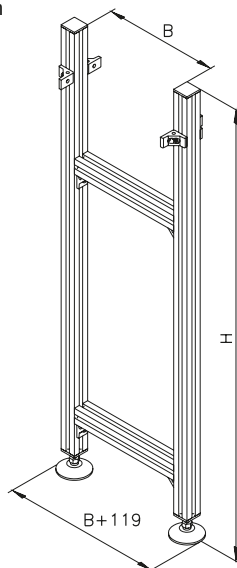
Stand in simple H design with profile mk 2040.40 (light duty). Can be used for virtually all conveyor systems, except curved conveyors and incline conveyors.

Standard heights with adjustment range:

- H 500 mm ± 20 mm
- H 750 mm ± 20 mm
- H 1000 mm ± 20 mm
- H 1200 mm ± 20 mm

Standard width:

B = 200 - 1200 mm



Stands

The 55.1 and 55.2 belt conveyor stands have the optimal properties for the Versamove system. They offer stability and durability so that the load limits of the system can be supported.

Stand S55.2

B67.06.020

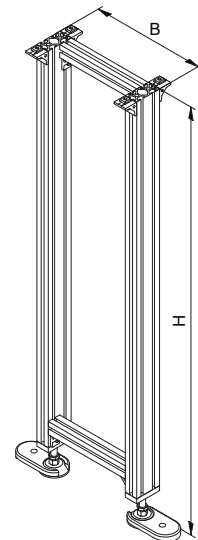
Stand in H design with profile mk 2040.02, levelling foot ø 76 M16 and floor fastening. The position of the mounting plates can be freely selected up to the point where they are screwed to the floor. The S55.2 stand is typically used with the Versamove pallet system or the 2255 roller conveyors.

Standard heights with adjustment range:

- H 500 mm ± 35 mm
- H 700 mm ± 35 mm
- H 800 mm ± 35 mm
- H 900 mm ± 35 mm
- H 1000 mm ± 35 mm

Standard width:

B = 160 - 2000 mm





Maschinenbau Kitz GmbH
Headquarters of the
mk Technology Group

Ampèrestraße 18
53844 Troisdorf
Germany

Tel +49 228 4598-0
info@mk-group.com
www.mk-group.com

www.mk-versamove.com

