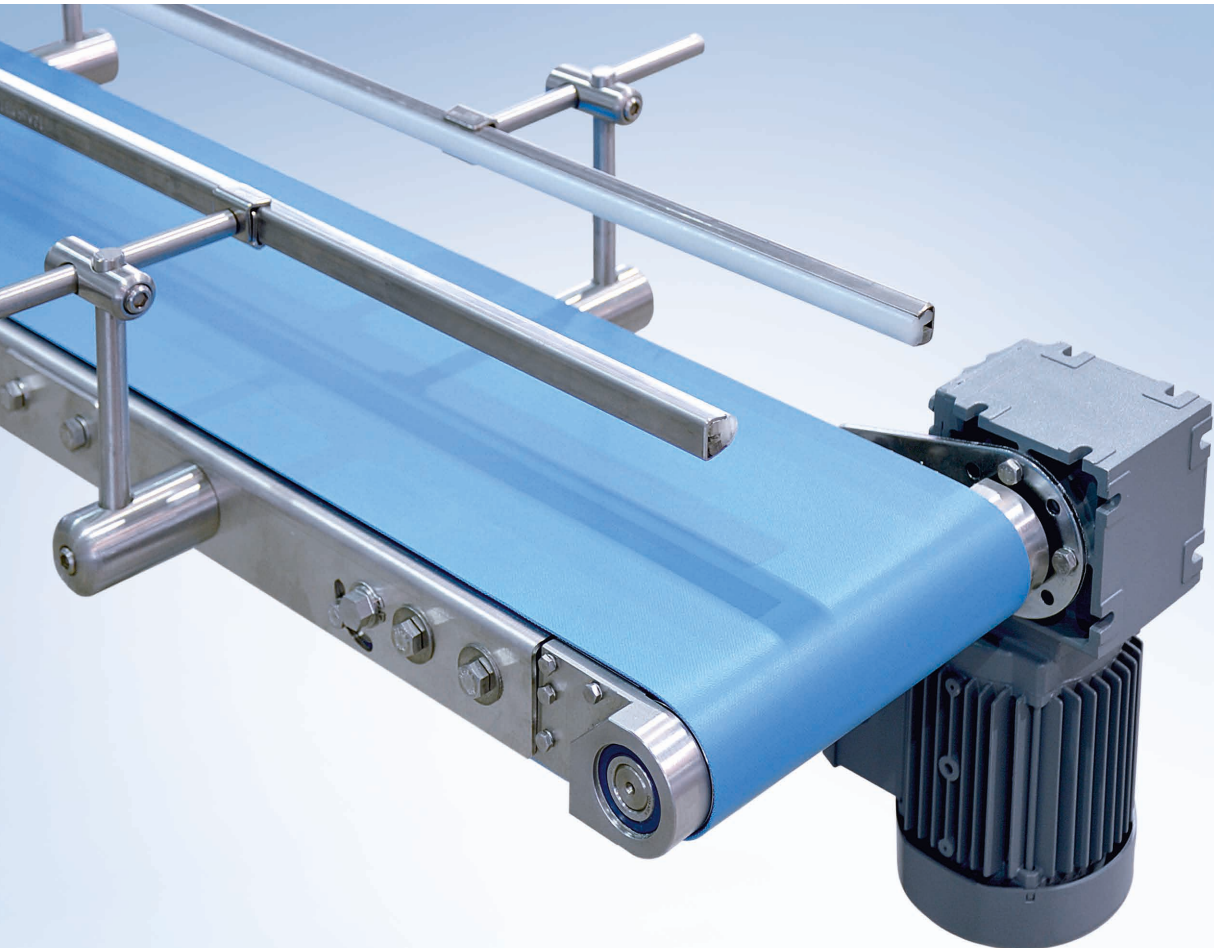




mk INOX Stainless Steel Conveyors



Flexibly adaptable to meet individual requirements



GUF-I INOX Belt Conveyor



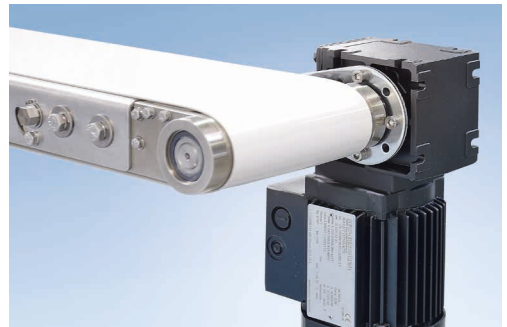
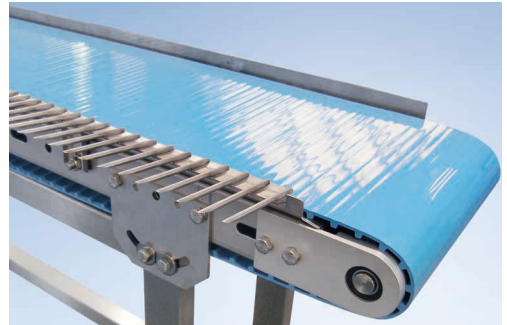
» Transporting
lightweight to medium-weight
piece goods. «

The GUF-I INOX belt conveyor has been specially developed for the unique requirements of the pharmaceutical and food industries and their sterile work environments. Using rust-proof, stainless steel belts in various designs and a range of drive and tail variants, the conveyor system can be adapted to your particular operating conditions.

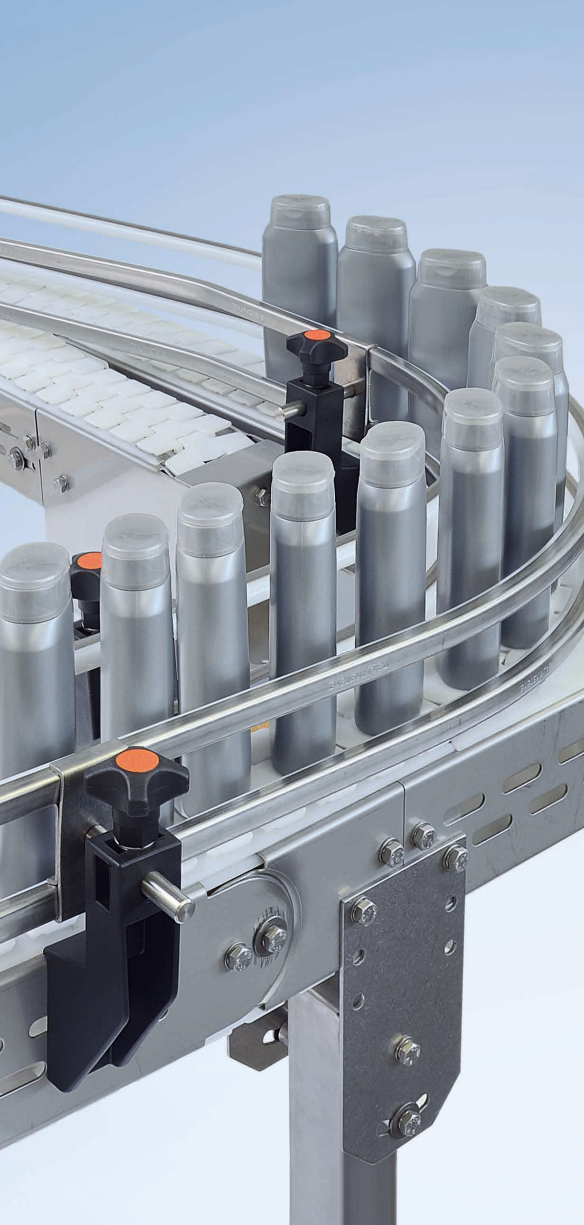
The belt conveyor's compact design with belt recirculation inside the conveyor frame means that the conveyor can be placed directly on the machine bed without the need for stands or a substructure, making it ideal for integrating into complex machines. The conveyor frame plate is available with custom pressed indentations or completely closed. An optional swivelling mechanism in the conveyor frame makes changing the belt and cleaning the conveyor extremely fast.

Properties of INOX belt conveyors

- Ideally suited for requirements in the pharmaceutical and food industries
- Range of rust-proof stainless steel belts available to suit various applications
- FDA-compliant materials and components
- Range of drive and tail variants available for different installation situations
- Motors come painted, with a cooling fin (optionally without) and a stainless steel housing
- Round driving rolls and tails for a self-adjusting belt
- Conveyor frame plate with or without custom pressed indentations for mounting accessories
- Optional swivelling mechanism for detensioning the belt allows for fast cleaning
- Extensive range of accessories including stands, side rails, end stops, drip pans, discharge slides and electrical components for control and component monitoring
- Individual consulting and custom design according to customer requirements
- Tried and tested modularisation principles from the aluminium profile and conveyor technology fields
- Customer references from the medical, pharmaceutical, cosmetics, solar and food industries



SBF-I INOX Flat Top Chain Conveyor



» Transporting
containers, packages
or bottles. «

The SBF-I INOX flat top chain conveyor has been specially developed for the unique requirements of the pharmaceutical and food industries and their sterile work environments. It has a modular design and includes straight tracks, sliding and rolling curves, vertical inclines for bridging height differences and transfer segments. The conveyors also include FDA-compliant side rails, which can be adapted to the particular product being conveyed. The system is therefore ideal for transporting containers, packages or bottles.

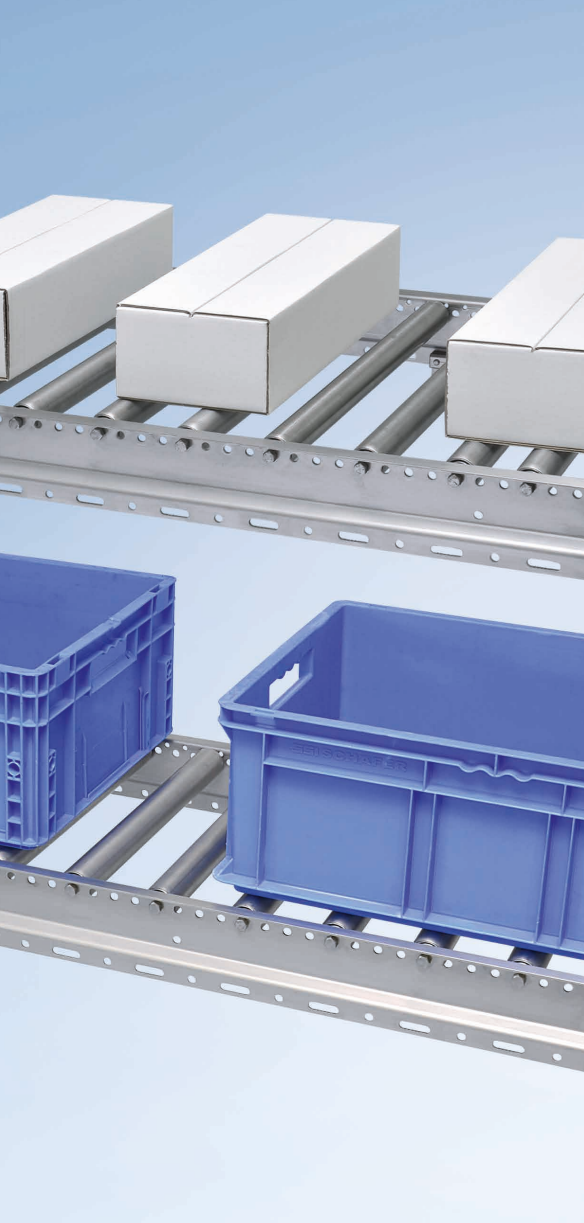
To give you added flexibility, the stainless steel plates on the sides of the conveyor frame come in an open or closed design as standard. The closed design contains only the drill holes needed for mounting the conveyor system. This gives the system a uniform design without unnecessary openings and with easy-to-clean surfaces. The open design is equipped with two horizontal, offset rows of oblong holes. This provides maximum flexibility for connecting conveyor technology accessories such as side rails or sensor holders. Custom modifications are also always available on request.

Properties of INOX flat top chain conveyor

- Ideally suited for requirements in the pharmaceutical and food industries
- Range of rust-proof stainless steel belts available to suit various applications
- FDA-compliant materials and components
- Conveyor frame plate with or without custom pressed indentations for mounting accessories
- Side rails that can be adapted to the product being conveyed
- Chain maintenance segment for quick and easy removal of the flat top chain
- Plastic or stainless steel flat top chain, with or without cleats
- Motors come painted, with a cooling fin (optionally without) and a stainless steel housing
- Extensive range of accessories including stands, side rails, end stops, drip pans, discharge slides and electrical components for control and component monitoring
- Individual consulting and custom design according to customer requirements
- Tried and tested modularisation principles from the aluminium profile and conveyor technology fields
- Customer references from the medical, pharmaceutical, cosmetics, solar and food industries



RBS-I INOX Gravity Roller Conveyor



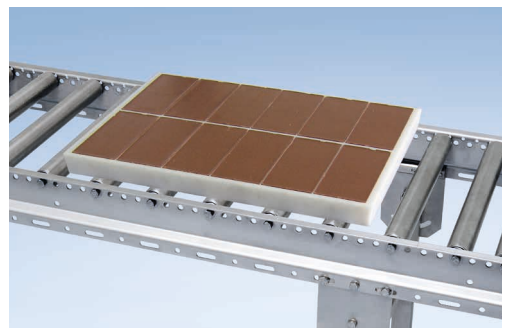
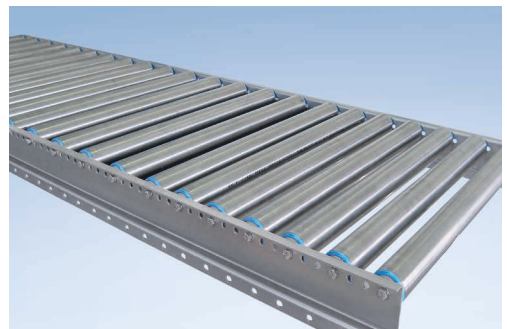
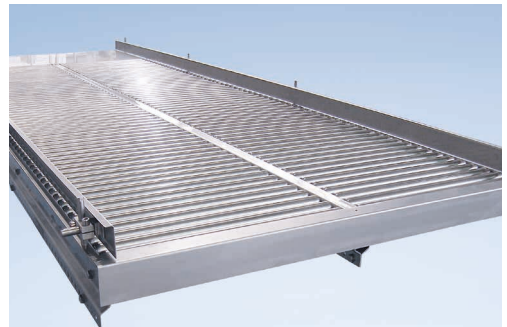
» Transporting
boxes, containers,
pallets or crates. «

The RBS-I INOX gravity roller conveyor has been specially developed for the unique requirements of the pharmaceutical and food industries and their sterile work environments. The system is ideally suited for transporting boxes, containers, pallets or crates.

A wide selection of conveyor rollers and profile beams for different size and weight classes provides excellent adaptability for transporting different products. The protruding rollers allow you to transport extra-wide products. Alternatively, you can select the recessed rollers to use the profile side plates as side rails.

Properties of INOX gravity roller conveyor

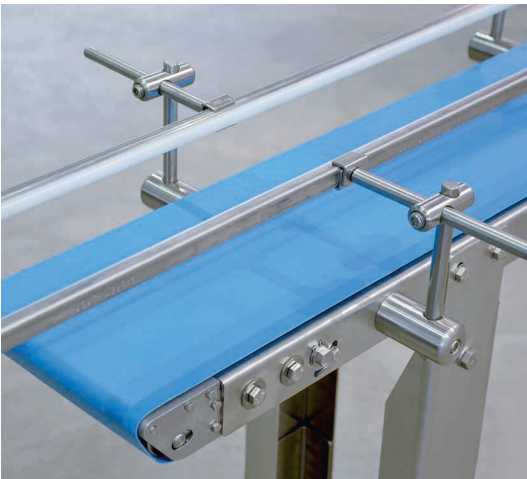
- Ideally suited for requirements in the pharmaceutical and food industries
- Wide range of conveyor rollers for different size and weight classes
- Available in plastic or stainless steel
- Further protruding rollers for transporting extra-wide product
- Recessed rollers (optional) for using the profile side plates as side rails
- Range of rust-proof stainless steel belts available to suit various applications
- FDA-compliant materials and components
- Conveyor frame plate with or without custom pressed indentations for mounting accessories
- Extensive range of accessories including stands, side rails, end stops, drip pans, discharge slides and electrical components for control and component monitoring
- Individual consulting and custom design according to customer requirements
- Tried and tested modularisation principles from the aluminium profile and conveyor technology fields
- Customer references from the medical, pharmaceutical, cosmetics, solar and food industries



Application Examples



Combination of INOX belt conveyor and angled belt conveyor for transport of praline balls with granulate



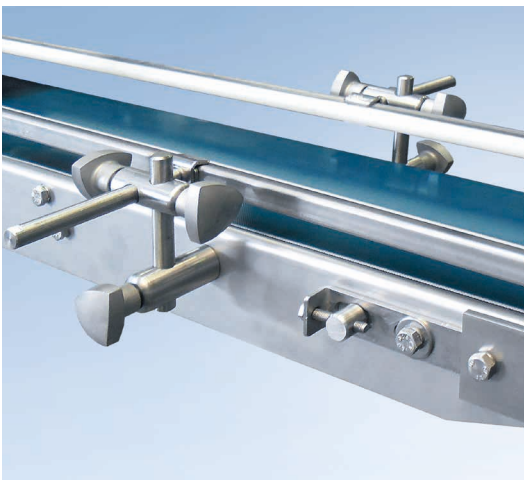
INOX belt conveyor with knife edge and adjustable side rails



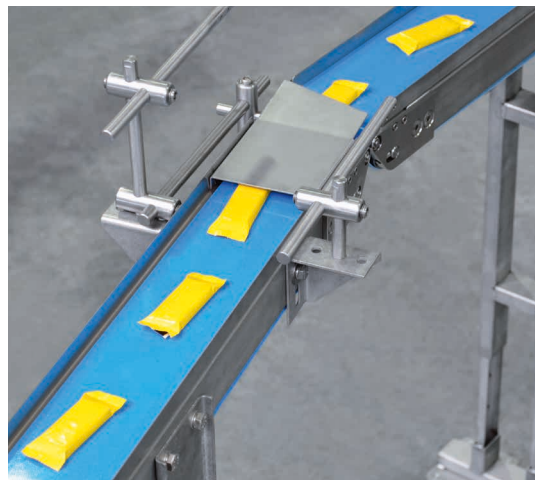
INOX vacuum belt conveyor with custom side rails



INOX belt conveyor without side rail with Reglomat

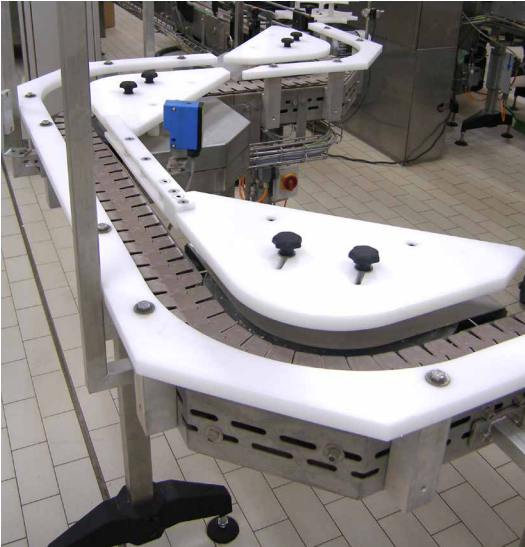


INOX belt conveyor
with adjustable side rails



INOX belt conveyor with knife edge
for transport of chocolate bars

Application Examples



INOX flat top chain conveyor with adjustable curve section



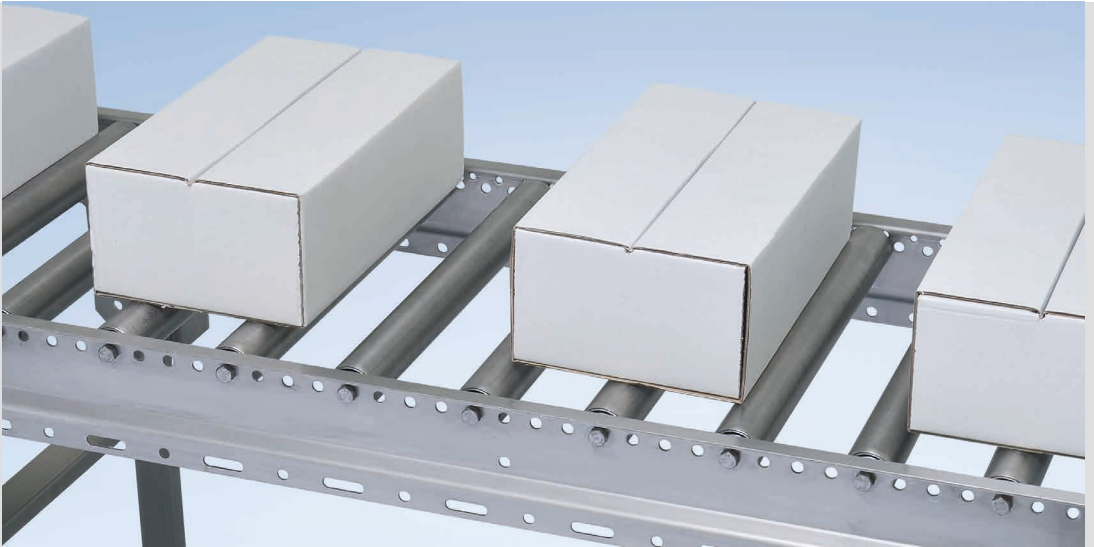
Linking via INOX flat top chain conveyor



INOX flat top chain conveyor complete with drip pan



INOX flat top chain conveyor used in hospitality field



INOX gravity roller conveyor with minimum roller spacing for transport of boxes



INOX gravity roller conveyor for transport of baked goods



INOX gravity roller conveyor with ø 50 mm stainless steel rollers



Maschinenbau Kitz GmbH
Headquarters of the
mk Technology Group

Ampèrestraße 18
53844 Troisdorf
Germany

Phone +49 228 4598-0
info@mk-group.com

