



Storage container

You need space. We deliver it.

Storage container

Whether as additional storage space for your business or as material store for the construction site: Our containers are the practical solution. They are readily available in many dimensions and designs throughout Europe. Choose from the product table and decide on a colour using the CONTAINEX-RAL chart. Temporary or permanent use? That's up to you. We're flexible.

WHAT ARE THE FEATURES OF OUR STORAGE CONTAINERS:

- Our own European production
- Available with either wooden or steel floor
- Galvanised locking bars
- Up to 3-high stackable
- Handling with crane or forklift
- Lifting payload up to 6.5 tonnes
- Storage up to 10 tonnes
- A wide range of extras

**CONTAINEX-
EXTRA:**

*Readily
available
in various
colours*



DELIVERY AS A SET

We deliver more space to you – without taking up unnecessary extra space during transport. Discover the cost-effective and CO₂-friendly container delivery in a set!

Your set options

- LC 20' + LC 8' + LC 8' + LC 6' + LC 6'
- LC 20' + LC 8' + LC 8'
- LC 20' + LC 15'
- LC 20' + LC 9' + LC 9'
- LC 10' + LC 8' + LC 6'
- LC 10' + LC 8'





Mover-Box®

L 2,200 mm
W 1,600 mm
H 2,445 mm



LC 6'

L 1,980 mm
W 1,970 mm
H 1,910 mm



LC 8'

L 2,438 mm
W 2,200 mm
H 2,260 mm



LC 9'

L 2,931 mm
W 2,200 mm
H 2,260 mm



LC 10'

L 2,991 mm
W 2,438 mm
H 2,591 mm



LC 15'

L 4,550 mm
W 2,200 mm
H 2,260 mm



LC 20'

L 6,058 mm
W 2,438 mm
H 2,591 mm

The figures refer to the external dimensions – further details on page 13.

You determine the look. Our quality is certain.

Paint

When it comes to quality, we are not prepared to compromise. Our high-quality paint is standard for every storage container. It is environmentally-friendly, corrosion and UV resistant, and it looks good for a long time thanks to a perfect paint adhesion.

HIGHLY RESISTANT PREMIUM PAINT ON EVERY CONTAINER:

- Zinc phosphate coating and priming using cathodic dip coating (CDC)
- Paintwork using powder coating
- Choice of colours according to CONTAINEX-RAL-chart



Paintwork using powder coating



Different colours according to our CONTAINEX-RAL-chart



Zinc phosphate coating and priming using cathodic dip coating (CDC)



CONTAINEX-EXTRA:

Zinc phosphate coating and CDC in the paint bath



Branding *

In terms of visual appearance, the choice is yours. Your storage container can have customised decals so it precisely fits your corporate identity. Take this opportunity to consistently incorporate your corporate branding.

INDIVIDUAL BRANDING FOR YOUR STORAGE CONTAINER:

- High brand recognition
- Can be used as mobile advertising space
- Long-lasting decals with high UV-resistance
- Short delivery times possible due to stock – ask us for details

CONTAINEX-EXTRA:

Perfect brand presence through individual branding



* Initial order requires technical specifications.

You set the standards. We raise them.

Sectional door

With the easy-to-open sectional door, you can transform your container into a convenient material store.

SPACE-SAVING OPENING AND CLOSING:

- Smooth, manual opening
- Locks by means of a burglar-resistant latch lock and turning handle with steel cylinder
- Robust surface (woodgrain)
- Robust design thanks to sheet metal on both sides and 42 mm PU foam
- Available in various colours: RAL 5010, RAL 9010, RAL 7035
- Available for LC 10' and LC 20'



Practical sectional door



**CONTAINEX-
EXTRA:**

*Space-saving
opening and
closing*

Windows & doors

With windows and doors, you can turn your container into more than just a simple storage space.

DESIGN YOUR CONTAINER WITH WINDOWS & DOORS:

- Window with tilt & turn mechanism and grille
- Double doors
- Steel external doors
- Can be combined with dividing grille



This space is yours. We make it secure.

Lock box

Protect what belongs to you. Our lock box is a simple and effective solution for storing different materials safely.

THE SOPHISTICATED SOLUTION FOR YOUR CONTAINER:

- Ideal protection for a padlock
- Made of robust construction steel (welded)
- Painted in container colour



CONTAINEX-EXTRA:

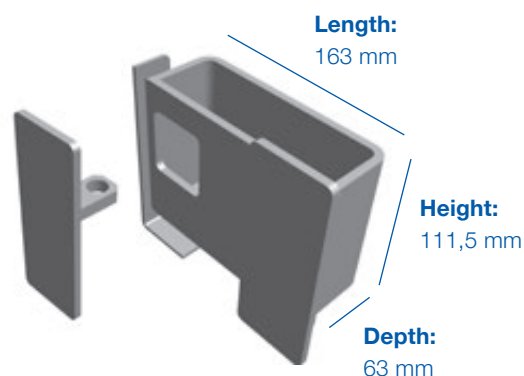
*Assembly in the factory as standard**



Bracket for padlock



The lock is protected



Material thickness: 6 mm

* does not apply to storage containers with sectional doors



2 internal bolts

Security fittings

If you want to be on the safe side, our storage containers with additional security fittings are the right choice for you.

COMPREHENSIVE PROTECTION FOR YOUR GOODS:

- Only 1 locking bar on the active leaf – for easy opening and closing
- 2 internal locking bolts
- Internal security lock with lock cylinder
- 4 internal anti-jemmy protections

Security lock with cylinder lock



4 internal anti-jemmy protections



You value details. We value satisfied customers.

Shelving system

Too much space? There's no such thing. Too much order? Also no such thing. Our practical shelving system helps you to store goods neatly in the container.

USE THE SPACE IN THE CONTAINER EVEN BETTER:

- High load bearing capacity: 150 kg/shelf
- Pre-installed or delivered as an assembly kit
- Proven CONTAINEX quality, inspected according to EN 15635

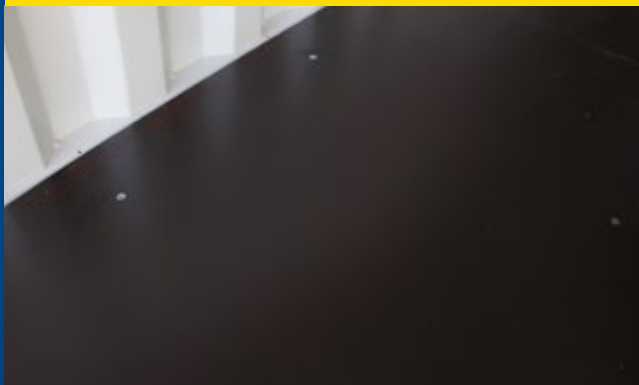


Floor

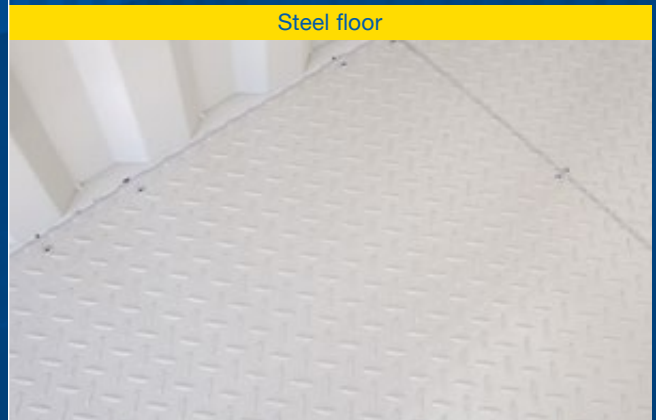
CONTAINEX offers you an unrivalled **PLYWOOD FLOOR** as standard.

- 21 mm thick plywood floor
- Particularly robust and durable
- Dirt and moisture resistant thanks to a double-sided resin coating

Laminated wood floor



Steel floor



STEEL FLOOR

- Diamond plate (riveted)
- Basic thickness 3 mm plus 1 mm mond pattern
- Optional extras

**CONTAINEX-
EXTRA:**

*Non-slip
diamond
plate*

Damp room electrics



Distribution box with integrated sockets



Electrical fittings

Turn your storage container or material store into a mobile workshop. The right electrical equipment not only provides lighting, but also operates various electrical devices.

FULL POWER FOR YOUR STORAGE CONTAINER:

- Distribution box with integrated sockets
 - 1 x socket 400 V/5-pin/16 A
 - 2 x socket 230 V/3-pin/13 A
- Recessed CEE external connections
- Damp room electrics
- Light fittings
- Light switch in the door



Second double door

Turn the back wall of your storage container into a second entrance.

THE PRACTICAL ACCESS:

- Second entrance into the container
- Creation of 2 separate spaces possible using a partition grille
- Available for many storage container sizes

Partition grille

If you want to keep different goods clearly separated, this grille is the proven solution.

THE SPACE-SAVING PARTITION FOR YOUR CONTAINER:

- Division of the storage space into separate areas
- Individual positioning possible
- Ideal in combination with a second double door or an additional single entrance door.

Partition grille with second double door



You know your requirements. We know the options.

Lashing rail

The easy method to secure your loads.

- Attached to both longitudinal walls and the back wall
- Effortless fixing of straps
- For securing loads in various positions



Tool holder

So every tool has its own place
and is easy to find.

- For storing tools
- Incl. safety chain that protects against falling over during transport



Ventilation grille

Ensure optimal air circulation in your container through additional ventilation grilles.

APPROPRIATE VENTILATION FOR YOUR CONTAINER:

- Set of 2 ventilation grilles, each 650x200 mm
- 1 ventilation grille at the top of the back wall
- 1 ventilation grille at the bottom of the container door



Container types and options

Dimensions	Mover-Box®	LC 6'	LC 8'	LC 9'	LC 10'	LC 15'	LC 20'
Length mm (external)	2,200	1,980	2,438	2,931	2,991	4,550	6,058
Width mm (external)	1,600	1,970	2,200	2,200	2,438	2,200	2,438
Height mm (external)	2,445	1,910	2,260	2,260	2,591	2,260	2,591
Length mm (inward)	2,040	1,800	2,275	2,770	2,831	4,387	5,898
Width mm (inward)	1,500	1,860	2,106	2,106	2,344	2,106	2,344
Height mm (inward)	2,200	1,730	2,050	2,050	2,376	2,050	2,376
Weight kg	450	450	630	690	825	915	1,270
Volume m ³	7	6.66	9.82	11.96	15.76	18.94	32.85
Stackability	four high	–	three high	three high	three high	three high	three high
Max. lifting payload kg	–	–	2,300	5,600	6,500	3,350	6,500
Max. payload kg	1,000	2,000	3,500	8,500	10,000	5,000	10,000
Options							
Painting according to CONTAINEX-RAL-chart	■	■	■	■	■	■	■
Branding & decals	–	■	■	■	■	■	■
Sectional door	–	–	–	–	■	–	■
Windows	–	–	■	■	■	■	■
Doors	–	–	–	–	■	–	■
Security fittings	–	■	■	■	■	■	■
Shelving system	–	–	■	■	■	■	■
Wooden floor	–	■	■	■	■	■	■
Steel floor	■	■	■	■	■	■	■
Electrical fittings	–	–	■	■	■	■	■
Second double door	–	–	■	■	■	■	■
Partition grille	–	–	–	–	■	–	■
Lashing rail	–	■	■	■	■	■	■
Tool holder	–	■	■	■	■	■	■
Ventilation grille	–	–	■	■	■	■	■

You think in new dimensions. We think about the implementation.

Mover-Box®

The alternative when you “think small”. With a volume of 7 m³, the Mover-Box® fits everywhere.

THE FLEXIBLE CONTAINER IN SMALL FORMAT:

- Fire and water tight
- Fire protection: fire extinguishes in the container, fire protection strips prevent spreading
- Up to 1,000 kg payload at 4-high stacking
- Handling with forklift, crane or pallet truck



CONTAINEX-EXTRA:

Fire protection confirmed by testing institute

Self-storage

Use our containers to erect an individual self-storage facility.

EXTERNAL STORAGE SPACE AS REQUIRED:

- Combination of different container sizes, for example model LC 10', 20' or Mover-Box®
- Secure storage option for different goods





You want to know more. We are happy to tell you.

Top quality new and used

Quality is important to us. That is why our storage containers are produced in our own European factories.

- Company owned certified production plants
- State-of-the-art and environmentally-friendly manufacturing techniques
- Use of high-quality materials

In addition to our newly produced containers, you can also buy used containers. "TOP USED" identifies high-quality used CONTAINEX cabins and containers and guarantees defined quality and testing standards.



CONTAINEX-EXTRA:
Production according to strict environmental and quality standards





CONTAINEX GREEN technology stands for:

- **Recycling:** We use materials that can be recycled.
- **Energy efficiency and environmentally friendly:** We only produce in certified European factories.
- **Low emissions:** With our CDC and powder coating, we fall below all EU limits.
- **Control:** We ensure that environmental audits and quality controls are continuously carried out in our production facilities.
- **Sustainability:** Our containers are extremely durable – because quality comes before quantity.

**Convince yourself of our high standards.
We are happy to help you.**

Further information about the environmental and quality measures taken by CONTAINEX can be found in the current SHEQ-report (Safety/Security-Health-Environment-Quality). You can request this from your CONTAINEX sales manager.

You have high expectations. We want to exceed them.

Case Studies

After more than 40 years of experience we know: there is always a way to meet our customers' requirements. This creates very different container solutions – from the classic warehouse expansion for industrial companies to material and tyre storage as well as construction site storage including workshops.

**WE ARE READY FOR THE
TASKS YOU ARE SETTING US.**





SPACE
AT ONCE

CONTAINEX



The specialist for mobile space solutions

CONTAINEX Container-Handelsgesellschaft m.b.H.

AT-2355 Wiener Neudorf, IZ NÖ-Süd, Straße 14

Phone DK: +45 32 4255-60

Phone GB: +44 20 353066-20

Phone IE: +353 1 54607-14

Phone international: +43 2236 601-0

E-mail: ctx@containex.com

www.containex.com

a **WALTER GROUP** company