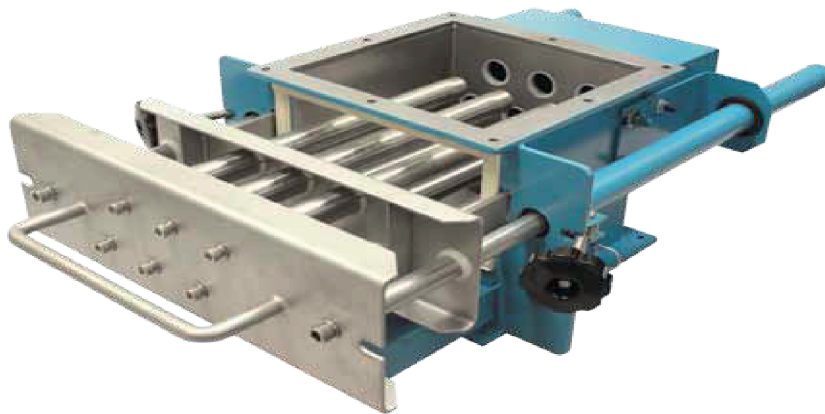


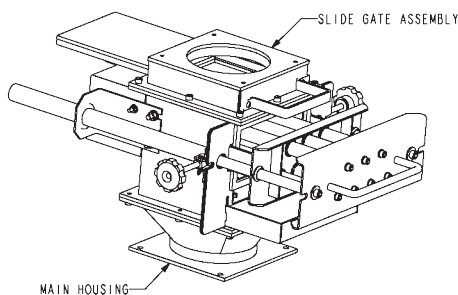


## Self-Cleaning FF Drawer Magnet

*The only temperature-compensated, Rare Earth magnet for injection molding machines is now available in a Self-Cleaning Model.*



The Bunting® NEO Self-Cleaning FF Drawer Magnet features easy cleaning with one smooth motion. This results in less good product loss. There is no reason to remove any components for cleaning. Bunting's proven grommet style, found on the popular HF Series Drawer Magnets, has over 15 years of field testing with proven results. The Self-Cleaning FF Drawer Magnet comes standard with Temperature Compensated Rare Earth magnets with other magnetic loads available. Standard size will fit a 51mm to 178mm machine opening, other sizes available upon request. Welded Stainless Steel housing is also standard for easy cleaning and durability. A detachable tramp tray alleviates messy cleanups and spills.



Available Options:

- Pneumatic Self-Cleaning
- No-Spill™ Slide Gate
- Purge Hopper
- Dump Tube
- Liquid Ports



### Model 4800-PL-MS

Our 8" square double row grommet style manual self-cleaning drawer magnet features:

- Standard 304 Stainless Steel Construction.
- Formed bottom transition and 6.35mm thick pre-drilled top and bottom mounting flanges.
- Two rows of 25mm diameter stainless steel magnetic cartridges with ultra high strength
- NEO "Temperature Compensated" permanent magnetic energy source.
- Cartridges are located on 51mm horizontal centers and pull away from the housing body through stainless steel cleaning plates with grommet wipers for removal of tramp material.

### Options:

- Bunting® exclusive No-Spill™ slide-gate module that will bolt directly to our Model 4800-PL-MS.
- Pneumatic Self-Cleaning upgrade.

### Dimensions:

Overall Height (includes standard transition)	292mm
with Slidegate	336mm
Overall Width (includes standard transition)	381mm

