

## FF Series Drawer Magnets for Superior Contaminant Capture

Our FF Series Drawers come standard with super strong Neodymium Rare Earth magnets powerful enough to capture and hold ferrous particulates so small that may not be visible to the naked eye. NEO magnets have exceptional surface holding force for more complete removal of contaminants and less chance of “wipe-off.” All FF Drawer Magnets are for gravity free-fall style magnetic separation applications.



- Temperature-compensated, Rare Earth magnets for superior high temperature operation.
- Built out of rugged 3mm stainless steel housing built to support symmetrical compression loads of 4,500Kg.
- Custom flanges to suit application at no extra cost.
- The drawer gasket is cut from Ethylene Propylene Diene (EPDM), resisting heat aging and compression set and offers much greater durability than sponge rubber.
- Units are built with welded stainless steel housings for easy cleaning and durability.
- High-torque nylon knobs resist breakage.
- Stainless steel center drawer guide makes removal and re-installation of the magnet drawer quick and easy, for cleaning and maintenance.
- Most powdered colorants and resins slide off without sticking.
- Superior cartridge geometry increases reach-out and holding power.
- Robust construction prolongs cartridge life.

### Product Features:

- 1** Patented No-Spill™ Slide Gate completely and positively shuts off product flow, so you don't have to worry about product spillage creating a mess or safety hazard when you remove the drawer for cleaning.
- 2** Optional - Purge Hopper speeds clean out of your equipment when changing colour or compound – without sacrificing magnetic protection or requiring that you empty your hopper.
- 3** Optional - Dump Tube lets you completely empty the drawer housing and material hopper of plastic after a run has been completed.
- 4** Optional - Liquid Port allows you to inject liquid colour additive into the resin. The port can also be used to hold a temperature probe.
- 5** Optional - Powder Seal Kit provides a compression seal around the Slide Gate to help prevent powdery materials from leaking. Order as original equipment or retrofit on site.

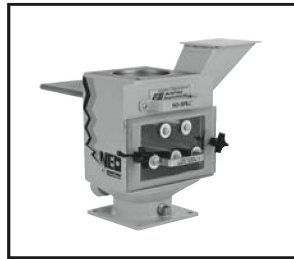


## Drawer Magnet Selection Guide for Standard and Self-Cleaning FF Series

(Dimensions are in inches and keyed to drawings)



**MODEL FF4400-PLS**  
100mm x 100mm



**MODEL FF4600-PLS**  
150mm x 150mm



**MODEL FF4800-PLS**  
200mm x 200mm



**MODEL FF4100-PLS**  
250mm x 250mm

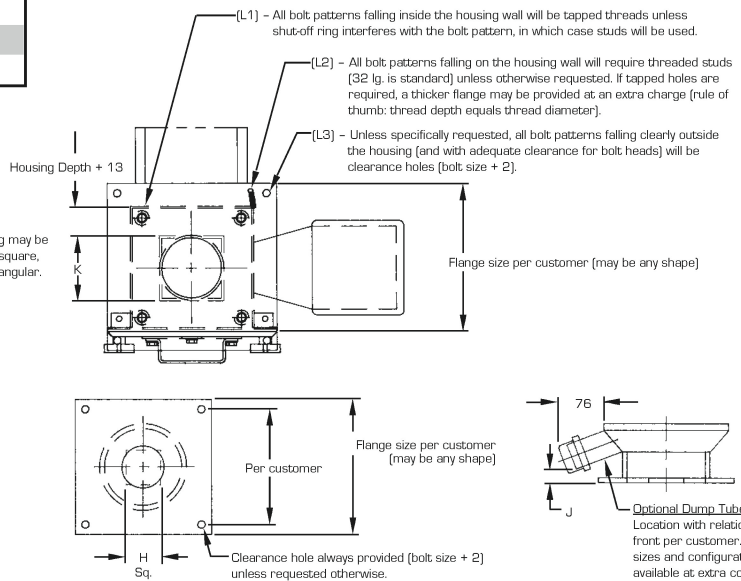
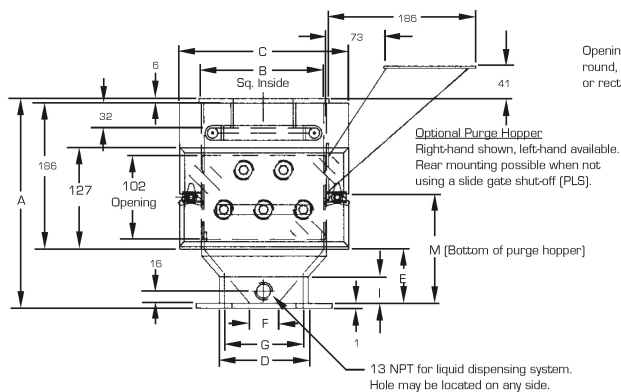
| Model    | FF4400PL/PLS                | FF4600PL/PLS | FF4800PL/PLS | FF4100PL/PLS* |        |
|----------|-----------------------------|--------------|--------------|---------------|--------|
| A        | 237                         | 270          | 276          | Varies        |        |
| B        | 102 X 102                   | 152          | 203          | 254 X 254     |        |
| C        | 165                         | 216          | 267          | 318           |        |
| D        | 67                          | 111          | 162          | Varies        |        |
| E        | 67                          | 70           | 76           | Varies        |        |
| F        | Min. Flnd. Opp.             | 22           | 44           | 79            | Varies |
| G        | Max. Flnd. Opp.             | 54           | 98           | 152           | Varies |
| H        | Max. Sq. Opp.               | 38           | 70           | 108           | Varies |
| I        | 34                          | 33           | 34           | Varies        |        |
| J        | 10                          | 11           | 19           | Varies        |        |
| K        | 76                          | 127          | 171          | 222           |        |
| L1 L2 L3 | Per Customer Specifications |              |              |               |        |
| M        | 161                         | 165          | 171          | Varies        |        |

All Dimensions are in MM.

\* Model FF4100PL/PLS is available with welded transition only (no casting)

### Easy Installation

Each of the four standard FF Series units is available with the original No-Spill™ Slide Gate – Bunting designed and patented – to provide safer and more convenient cleaning. All models are also available with self-cleaning drawer modules. Flanges are pre-drilled to OEM or customer specifications. Be sure to request the options, flange specifications, and hole locations you want when ordering.



#### Ordering Information

Bunting part numbers denote models and features. Drawer Magnet Part Numbers have three parts. The initial two letters designate the model type. The numerical digits indicate the size of the square top plate. The trailing letters specify Drawer Magnet options.

For example: **Part FFS4600-PLS-CR**  
This part number describes an FF Series Drawer Magnet with a 150mm Square Stainless Steel Housing equipped with a Slide Gate and Ceramic Magnet-Powered Cartridges.

#### FF Series Part Number Explanation

| Model/Type                    | Size              | Options                 |
|-------------------------------|-------------------|-------------------------|
| FF = Mild Steel Housing       | 4400=100mm Square | PL = Without Slide Gate |
| FFS = Stainless Steel Housing | 4600=150mm Square | PLS = With Slide Gate   |
|                               | 4800=200mm Square |                         |
|                               | 4100=250mm Square |                         |

#### Low-Profile Part Number Explanation

| Model/Type                    | Size              | Options                 |
|-------------------------------|-------------------|-------------------------|
| LP = Mild Steel Housing       | 1600=150mm Square | PL = Without Slide Gate |
| LPS = Stainless Steel Housing | 1800=200mm Square | PLS = With Slide Gate   |

Please specify purge hopper, dump tube, and liquid dispensing port options and locations when ordering.

Our new NEO Drawer Magnets are outfitted with super-strong Neodymium Rare Earth magnets that capture and hold ferrous metal particles so small that you may not be able to see them with the naked eye. Unlike competing Rare Earth drawer magnets that can permanently lose their magnetic fields at temperatures above 80° C, Bunting's exclusive design is the **only** temperature-compensated Rare Earth drawer magnet made for injection molding machines. It is guaranteed not to lose its permanent magnetic strength when bolted to feed throats operating at temperatures in excess of 80° C. That means less downtime for you with reduced screw wear and fewer plugged nozzles.