

Grate Magnets



To select the correct grate size for hoppers and similar applications, measure the area of the discharge opening in millimeters and double it, so as not to restrict product flow.

Then choose a standard grate from the table that comes closest to the size you've calculated. Grates can often be laid in place without a fixed mounting.

To order Heavy-Duty Grates, use the same formula. Heavy-Duty Grates are not available with baffles; nor are Alnico magnets a standard option for these grates. Call for more information about special applications and construction standards.

Ordering Information	Part Number Explanation			
Part numbers for grates describe physical features. The numbers have four parts. The first two letters indicate separator type and shape. The second part consists of digits that give dimensions in millimeters. Rectangular grates have both width and length specified. The third and fourth parts do not appear in the table. They specify Heavy-Duty Grates, baffles, and magnetic material.	GSM	100	A	CR
	Type/Shape	Size	Options	Magnet Material
	GRM =Round grate GSM =Square grate or Rectangular grate	100 = Round grate with 100mm diameter or square grate with 100mm sides 100 250 = Rectangular grate 100mm wide with cartridges 250mm long	H = Heavy duty P = Plain style no baffles A = Angular baffles R = Rod baffles	CR = Ceramic NPB = Neodymium Power-Balanced™ Rare Earth material NHI = Neodymium High-Intensity Rare Earth material for the most demanding applications (not available in Heavy-Duty grate magnets)

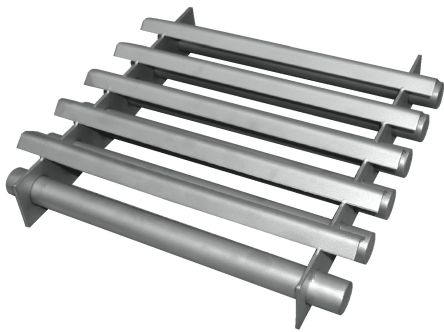
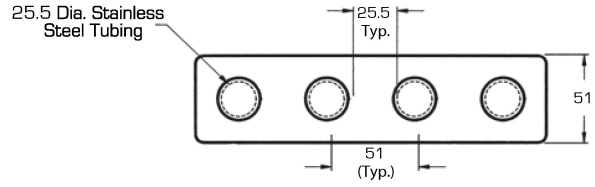
Standard Round, Square, and Rectangular Grates

		Length of Grate												
		100	150	200	250	300	350	400	450	500	550	600		
Width of Grate	100	GRM 100 GSM 100	GSM 100 150	GSM 100 200	GSM 100 250	GSM 100 300	GSM 100 350	GSM 100 400	GSM 100 450	GSM 100 500	GSM 100 550	GSM 100 600		
	150	GSM 150 100	GRM 150 GSM 150	GSM 150 200	GSM 150 250	GSM 150 300	GSM 150 350	GSM 150 400	GSM 150 450	GSM 150 500	GSM 150 550	GSM 150 600		
	200	GSM 200 100	GSM 200 150	GRM 200 GSM 200	GSM 200 250	GSM 200 300	GSM 200 350	GSM 200 400	GSM 200 450	GSM 200 500	GSM 200 550	GSM 200 600		
	250	GSM 250 100	GSM 250 150	GSM 250 200	GRM 250 GSM 250	GSM 250 300	GSM 250 350	GSM 250 400	GSM 250 450	GSM 250 500	GSM 250 550	GSM 250 600		
	300	GSM 300 100	GSM 300 150	GSM 300 200	GSM 300 250	GRM 300 GSM 300	GSM 300 350	GSM 300 400	GSM 300 450	GSM 300 500	GSM 300 550	GSM 300 600		
	350	GSM 350 100	GSM 350 150	GSM 350 200	GSM 350 250	GSM 350 300	GRM 350 GSM 350	GSM 350 400	GSM 350 450	GSM 350 500	GSM 350 550	GSM 350 600		
	400	GSM 400 100	GSM 400 150	GSM 400 200	GSM 400 250	GSM 400 300	GSM 400 350	GRM 400 GSM 400	GSM 400 450	GSM 400 500	GSM 400 550	GSM 400 600		
	450	GSM 450 100	GSM 450 150	GSM 450 200	GSM 450 250	GSM 450 300	GSM 450 350	GSM 450 400	GRM 450 GSM 450	GSM 450 500	GSM 450 550	GSM 450 600		
	500	GSM 500 100	GSM 500 150	GSM 500 200	GSM 500 250	GSM 500 300	GSM 500 350	GSM 500 400	GSM 500 450	GRM 500 GSM 500	GSM 500 550	GSM 500 600		
	550	GSM 550 100	GSM 550 150	GSM 550 200	GSM 550 250	GSM 550 300	GSM 550 350	GSM 550 400	GSM 550 450	GSM 550 500	GRM 550 GSM 550	GSM 550 600		
	600	GSM 600 100	GSM 600 150	GSM 600 200	GSM 600 250	GSM 600 300	GSM 600 350	GSM 600 400	GSM 600 450	GSM 600 500	GSM 600 550	GSM 600 600	GRM 600 GSM 600	

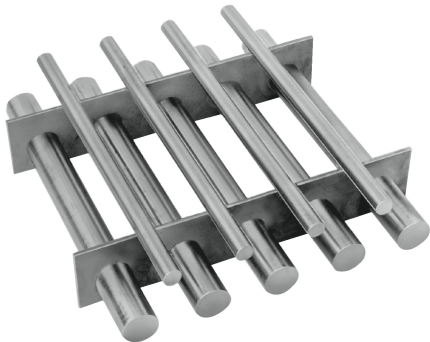
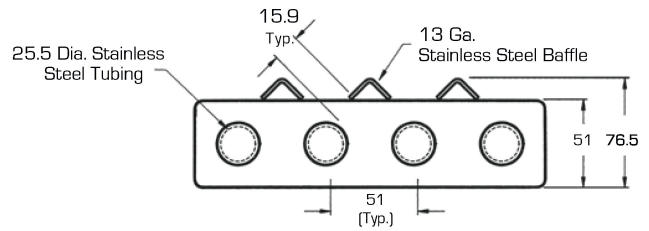
All dimensions are in mm. Specifications are subject to change without notice



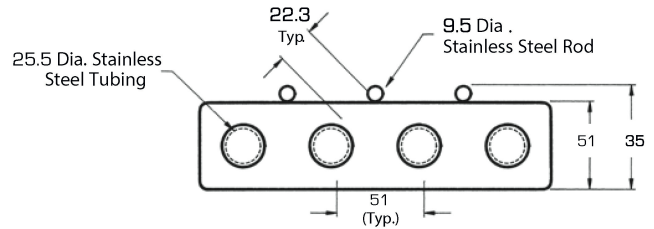
Plain Style



Angular Baffles



Rod Baffles



Heavy-Duty Grates

