

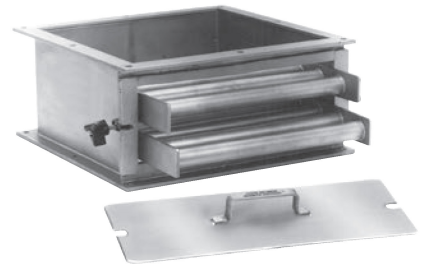
HF Drawer Magnets

Designed for separation in enclosed flow lines and equipped with the most powerful magnetic cartridge to handle a wide range of separation tasks.

- Available with up to five cartridge trays.
- Manual, pneumatic and continuous self-cleaning options available.
- Custom flanges to suit application at no extra cost.
- The Optional transitions available for round or square spouting
- Ceramic and High-Intensity (NHI, 10,000 gauss) Rare Earth magnets are available
- Available in either standard grade or food grade

Manual Standard HF Drawer Magnet

In the standard configuration, ferrous debris is removed from the cartridges by sliding the trays out of the housing and wiping them off by hand.



Standard HF Drawer Magnet



Manual Self-Cleaning HF Drawer Magnet

Manual Self-Cleaning HF Drawer Magnet

Self-Cleaning HF Drawer Magnets are designed to fully extend the magnetic cartridges outside the housing. As these tube assemblies travel outside the housing, grommets wipe the tubes clean all the way to their nonmagnetic tapered ends. This ensures that each cartridge is fully wiped and prevents captured tramp iron from reentering the housings.

Pneumatic Self-Cleaning HF Drawer Magnet

Pneumatically powered cleaning mechanism releases ferrous contaminants into the discharge area automatically. Pneumatic units can be installed in hard-to-reach locations because they operate at the touch of a remote switch or by a Bunting-engineered automated control package. With this model, product flow must be stopped to clean cartridges and prevent contaminated products from flowing into product stream.



Pneumatic Continuous Self-Cleaning HF Drawer Magnet

HF Drawer Magnets

Selecting an HF Series Drawer Magnet to fit your system is a matter of matching the magnet to the size and capacity of your spouting or throat opening...and to the contaminants, product densities, and material bridging characteristics you encounter. Which type of Drawer Magnet will work best for your application: the Standard HF Drawer, Manual Self-Cleaning HF Drawer, or Pneumatic Self-Cleaning HF Drawer? Review the information and tables in this section to help determine the type of Drawer Magnet you want.

For Square Spouting

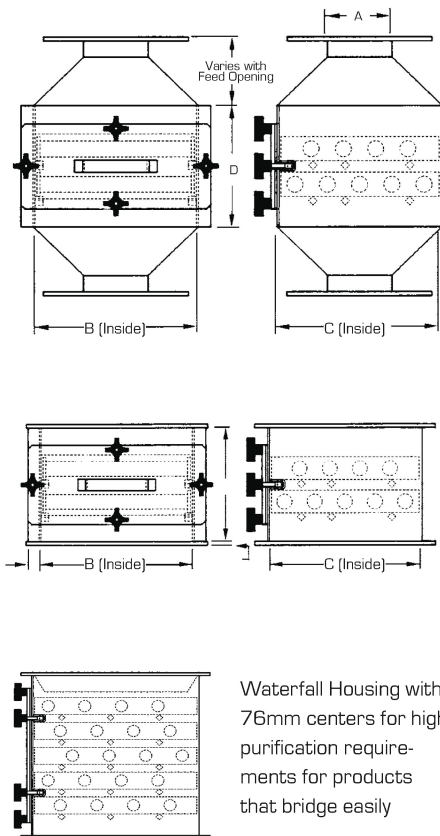
Read down the “square spouting” column until you find the correct size. Then read across the row for the corresponding model number.

For Round Spouting

Read down the “round spouting” column to match the size you need. Then read across the row for the corresponding model.

For Rectangular Spouting

Calculate the spouting’s cross-sectional area in square inches. Then double it. Read down the “Housing Cross Section Area” column until you come to an area that is at least as large as the number you just calculated and read across the row to find the model number of the unit that’s right for your installation.



Model No.	Housing Cross Section	A Square Spouting	B Round Spouting	C Width	D Depth	E Height
HFS-2010	2540	152	152	254	254	152
HFS-2012	3658	203	203	305	305	152
HFS-2014	4978	229	254	356	356	152
HFS-2016	6502	254	305	406	406	191
HFS-2018	8221	305	330	457	457	191
HFS-2020	10160	330	356	508	508	191
HFS-2022	12294	356	406	559	559	191
HFS-2024	14630	406	456	610	610	191
HFS-2026	17170	432	483	660	660	191
HFS-2028	19984	457	508	711	711	191
HFS-2030	22860	508	559	762	762	191
HFS-3010	2540	152	152	254	254	208
HFS-3012	3658	203	203	305	305	208
HFS-3014	4978	229	254	356	356	208
HFS-3016	6502	254	305	406	406	246
HFS-3018	8221	305	330	456	456	246
HFS-3020	10160	330	356	508	508	246
HFS-3022	12294	356	406	559	559	246
HFS-3024	14630	406	456	610	610	246
HFS-3026	17170	432	483	660	660	246
HFS-3028	19984	406	508	711	711	246
HFS-3030	22860	508	559	762	762	246
HFS-4010	2540	152	152	254	254	264
HFS-4012	3658	203	152	305	305	264
HFS-4014	4978	229	254	356	356	264
HFS-4016	6502	254	305	406	406	302
HFS-4018	8221	305	330	456	456	302
HFS-4020	10160	330	356	508	508	302
HFS-4022	12294	356	406	559	559	302
HFS-4024	14630	406	456	610	610	302
HFS-4026	17170	432	483	660	660	302
HFS-4028	19984	456	508	711	711	302
HFS-4030	22860	508	559	762	762	302

Dimensions in mm. Area in square mm.