

### Sensor Operated, 6 Rotating Brushes



**Automatically detects the passage of the user at each end of the machine via infra-red sensor**

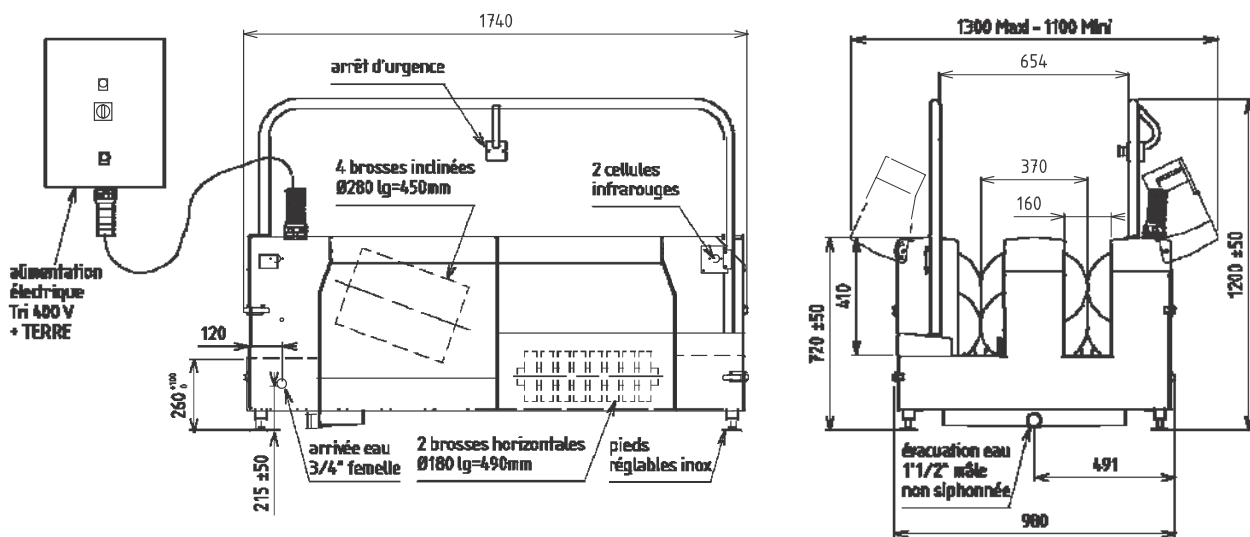
- Designed for continuous passage, the unit can be installed in a location making its use mandatory.
- Cleaning boots and soles by the combined action of 4 side brushes for the body of the boots and 2 brushes for the soles.
- Dismantling without the need for tools for easy cleaning of the brushes and the housing.
- Supplied with a venturi metering system for accurate dosing of the detergent.
- Jets spray detergent automatically on to the boots.

**Additional options\***

- Stainless steel gate 304 (see page 4.16)
- \* Please specify when ordering

**Réf. SC01430**

**Dimensional Drawing**



**Specifications**

- 304 stainless steel construction
- Bead blasted finish
- 4 angled brushes for the body of the boot
- 2 horizontal brushes for the sole of the boots or the shoes
- Dosing venturi: 0.2 to 9.3% adjustment
- Foot print dimensions: 1740 x 980 mm
- Perforated filter waste basket

**Water supply**

- Recommended pressure: 3 bars
- Maximum temperature: 50 ° C
- Water flow: 20 l / min

**Power**

- 3 phase 400V + earth - 50 Hz - Power 2.30 kilowatts
- Connection to terminal block in the cabinet
- Wall mountable polyester control panel