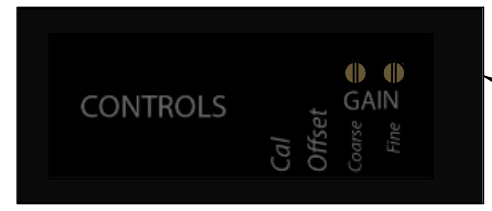


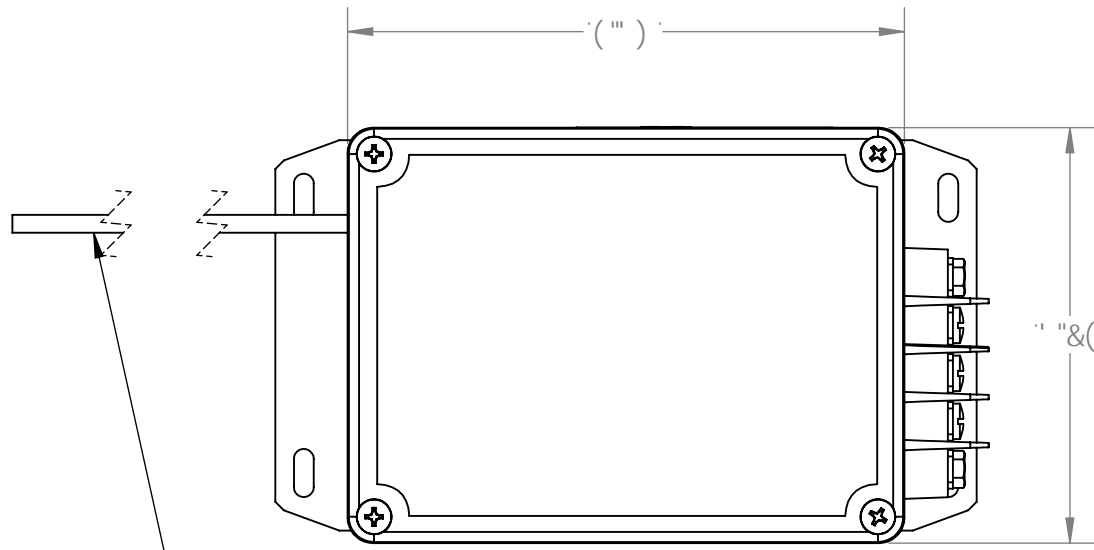
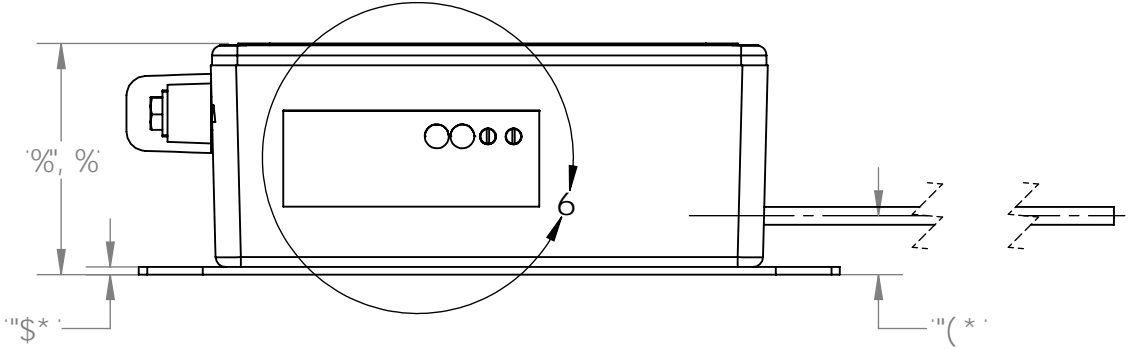
H:9 B: CFA 5HC B 7 C B H 5 B 9 8 " B " H: 6 8 F 5 K B: " G H: 9 GC @ DFC D 9 F H M C:
 D: 4 9 7 " B 7 " 5 B M F 9 D F C B I 7 H C B " B " D 5 F H C F " K < C @ K H: C I H
 H: 9 K F H 9 8 " D 9 F A G G C B " C: D: 4 9 7 " B 7 " 6 D F C < 6 4 9 8 "

F9J GC BG			
F9J "	8 9 G 7 F D H C B	8 5 H 9	5 D D F C J 9 8
5	B # 5 @ F 9 @ 5 G 9 C: ' G C @ 8 K C F ? G A C 8 9 @ / ' 8 F 5 K B: "	% # & # & \$ %	7 8 F

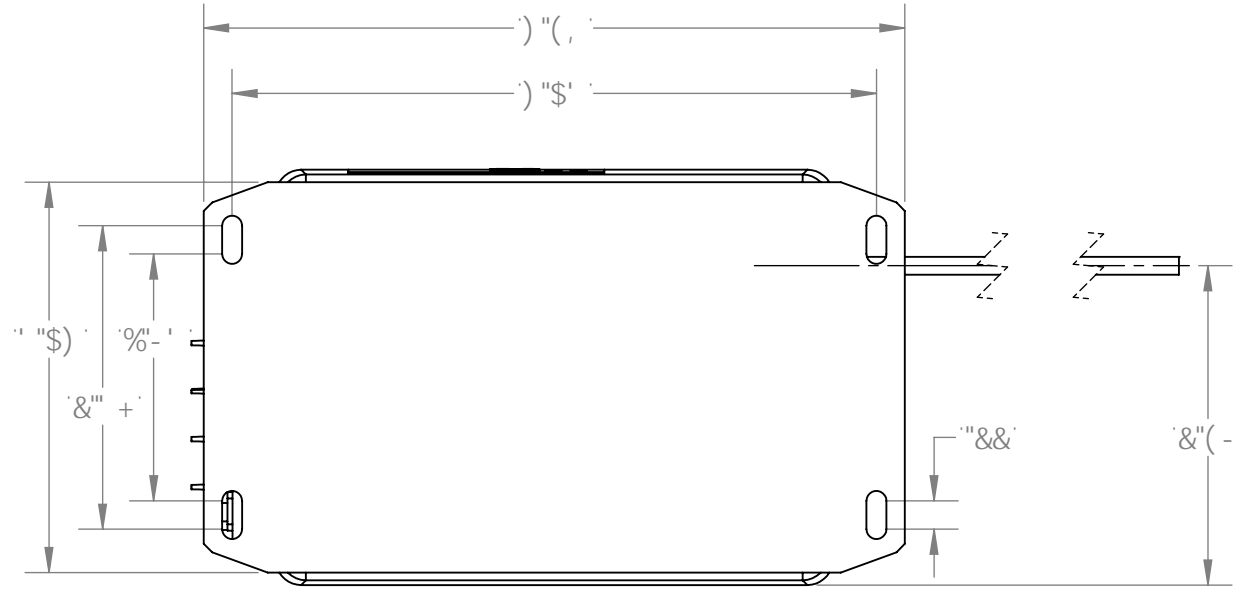
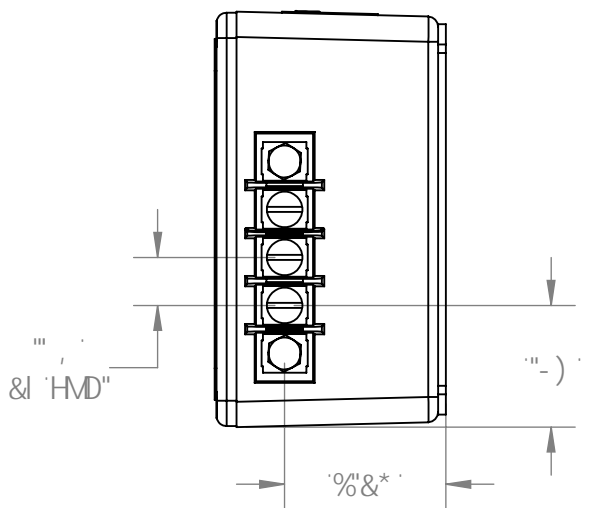


8 9 H 5 @ 6
 G 7 5 @ 9 % . %

7 C 5 F G 9 / : B 9
 ; 5 B 7 C B H F C @ G



: 6 9 F ' C D H 7 ' 7 5 6 @ 8 5 A 9 H F Z
 6 9 B 8 ' F 5 8 + G 5 B 8 @ B; H:
 8 9 H 9 F A B 9 8 ' 6 M G 9 B G C F ' G 9 @ 9 7 H C B "



BC H 9 G f l B @ G G C H: 9 F K @ 9 G D 9 7 = 9 8 L

% BC B 9

I B @ G G C H: 9 F K @ 9 G D 9 7 = 9 8 .
 8 A 9 B G C B G 5 F 9 B ' B 7 < 9 G
 H C @ F 5 B 7 9 G
 5 B: I @ F . A 5 7 < ± % 6 9 8 8 ± ' °
 : F 5 7 H C B 5 ± % # %
 C B 9 D @ 5 7 9 8 9 7 A 5 @ ± % \$ %
 H K C D @ 5 7 9 8 9 7 A 5 @ ± % \$ %
 H: F 9 9 D @ 5 7 9 8 9 7 A 5 @ ± % \$ %

PHILTEC
 FIBER OPTIC SENSORS

8 F 5 K B	B 5 A 9	8 5 H 9
7 < 9 7 ? 9 8	7 8 F	% # & # & \$ %
	7 8 F	% # & # & \$ %

8 C B C H G 7 5 @ 9 8 F 5 K B;

H: F 8 5 B: @
 D F C > 9 7 H C B

D: 4 9 7 " B 7 "
 5 B B 5 D C @ 2 A 8 & (\$ -

8 9 G 7 F D H C B .
 G 9 B G C F ' 5 A D @ : 9 F Z 5 B 5 @ ;
 8 ! G 5 B 8 5 F 8

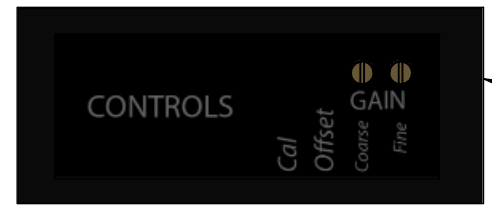
D 5 F H , # 7 5 8 : @ . "

F 9 J
8 ! G 8 ! F Y j ' 5
5

8 K : " : @ .
 8 ! G 8 ! F Y j ' 5
 G < 9 9 H % C : %

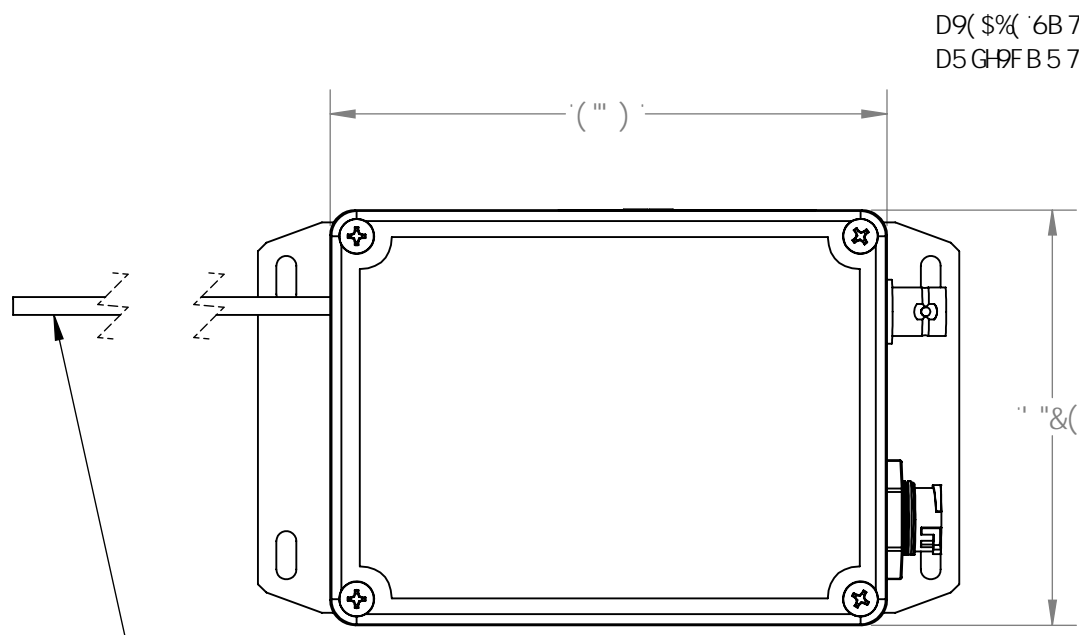
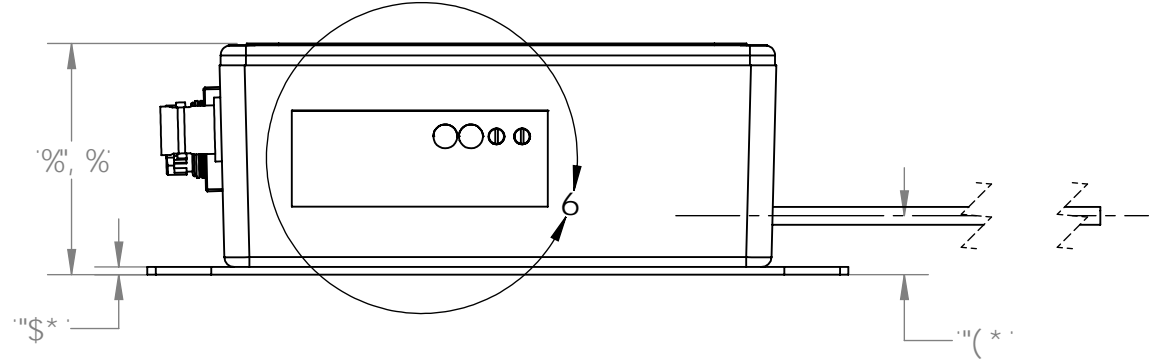
H-9' B: CFA 5HC B 7 C B H 5 B 9 8 " B " H-6 8 F 5 K B: " G H-9 GC @ DFC D 9 F H M C:
D < @ 4 7 " B 7 " 5 B M F 9 D F C B I 7 H C B " B " D 5 F H C F " K < C @ K H C I H
H-9 K F H 9 8 " D 9 F A G G C B " C: D < @ 4 7 " B 7 " 6 D F C < 6 4 9 8 "

F9J GC BG			
F9J "	8 9 G 7 F D H C B	8 5 H 9	5 D D F C J 9 8
5	B # 5 @ F 9 @ 5 G 9 C: ' G C @ 8 K C F ? G A C 8 9 @ / ' 8 F 5 K B; "	% # & # & \$ %	7 8 F

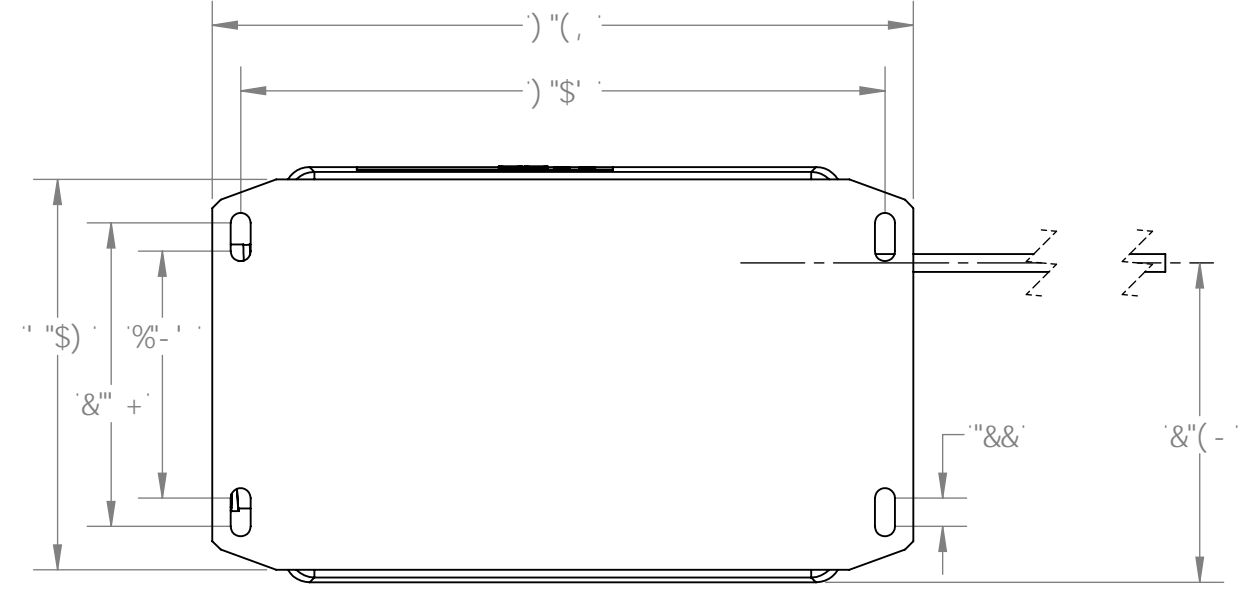
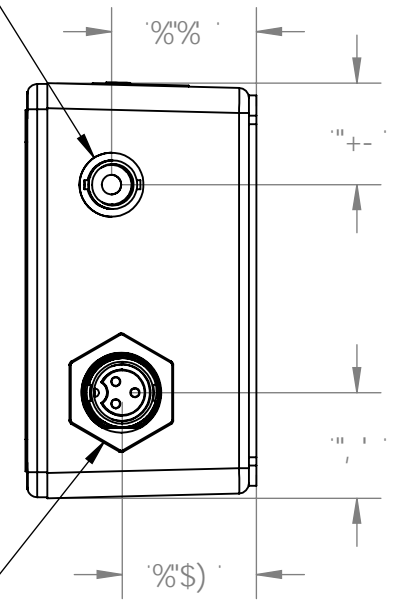


8 9 H 5 @ 6
G 7 5 @ 9 % . %

7 C 5 F G 9 / : B 9'
; 5 B 7 C B H F C @



D 9 (\$ % ' 6 B 7 '
D 5 G H F B 5 7 ? ' B 7 "



: 6 9 F ' C D H 7 ' 7 5 6 @ 9 8 - 5 A 9 H 9 F Z
6 9 B 8 ' F 5 8 + G 5 B 8 ' @ B; H-
8 9 H 9 F A - B 9 8 ' 6 M G 9 B G C F ' G 9 @ 9 7 H C B "

9 B ' D ' : L
G K # 7 < 7 F 5 : H B 7 "

BC H 9 G ' I B @ G G C H- 9 F K @ 9 G D 9 7 = 9 8 L

% BC B 9

I B @ G G C H- 9 F K @ 9 G D 9 7 = 9 8 .
8 - A 9 B G C B G 5 F 9 - B - B 7 < 9 G
H C @ F 5 B 7 9 G
5 B: I @ F . A 5 7 < ± % 6 9 8 8 ± ' °
: F 5 7 H C B 5 ± % # %
C B 9 D @ 5 7 9 8 9 7 - A 5 @ ± % \$ %
H K C D @ 5 7 9 8 9 7 - A 5 @ ± % \$ %
H- F 9 9 D @ 5 7 9 8 9 7 - A 5 @ ± % \$ %



	B 5 A 9	8 5 H 9
8 F 5 K B	7 8 F	% # & # & \$ %
7 < 9 7 ? 9 8	7 8 F	% # & # & \$ %
8 C B C H G 7 5 @ 9 8 F 5 K B;		
H- F 8 5 B: @		
D F C > 9 7 H C B		

D < @ 4 7 " B 7 "

5 B B 5 D C @ 2 A 8 & (\$ -

8 9 G 7 F D H C B .

G 9 B C F ' 5 A D @ - 9 F Z 5 B 5 @ ;

8 ! E

D 5 F H , # 7 5 8 : @ . "

F 9 J

8 ! E ! ' F Y j ' 5

5

8 K : " : @ .

8 ! E ! ' F Y j ' 5

G < 9 9 H % C : %

