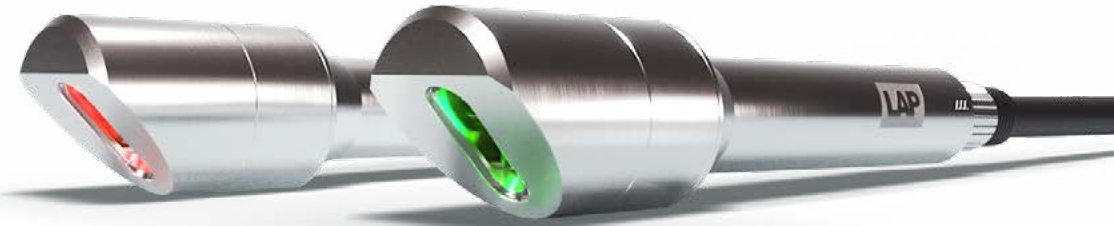


DATA SHEET XtrAlign HU LASER



PERFORMANCE FEATURES

- Low installation height
- Extremely robust
- Special optics for even brightness distribution

TECHNICAL DATA

Laser type	Diode
Wavelength/Laser color	Red: 638 nm, Green: 520 nm
Internal laser power	1 ... 40 mW
Divergence	0,5 mrad
Operating voltage DC	12 ... 30 V DC
Power consumption	< 200 mA
Enclosure rating	IP 67
Shock resistance	IK10
Dimensions/Weight	L: 153 mm × ø 30 mm (front); ø 20 mm (back)/330 g
Power connector	M12, 4-core
Ambient conditions	-10 ... +40 °C, 0 ... 90 % rel. humidity, non condensing
Service life (MTTF)	> 30,000 h at 25 °C

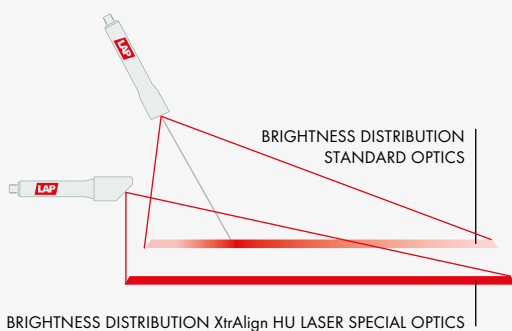
GREEN

Models	Internal laser power	Line length	Laser class
LAP 1 HU	1 mW	max. 1 m	1
LAP 3 HU	3 mW	max. 2 m	1
LAP 5 HU	5 mW	max. 4 m	1
LAP 10 HU	10 mW	max. 6 m	1
LAP 15 HU	15 mW	max. 10 m	1
LAP 30 HU	30 mW	max. 15 m	2
LAP 40 HU	40 mW	max. 20 m	2

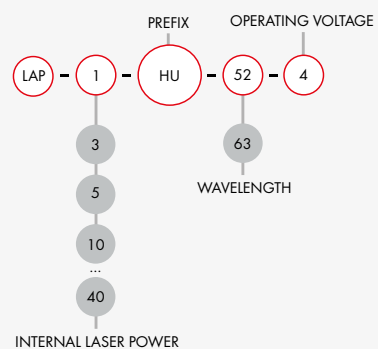
RED

Models	Internal laser power	Line length	Laser class
LAP 1 HU	1 mW	max. 1 m	1
LAP 3 HU	3 mW	max. 2 m	1
LAP 5 HU	5 mW	max. 4 m	1
LAP 10 HU	10 mW	max. 6 m	1
LAP 15 HU	15 mW	max. 10 m	1
LAP 30 HU	30 mW	max. 15 m	2

SPECIAL OPTICS :

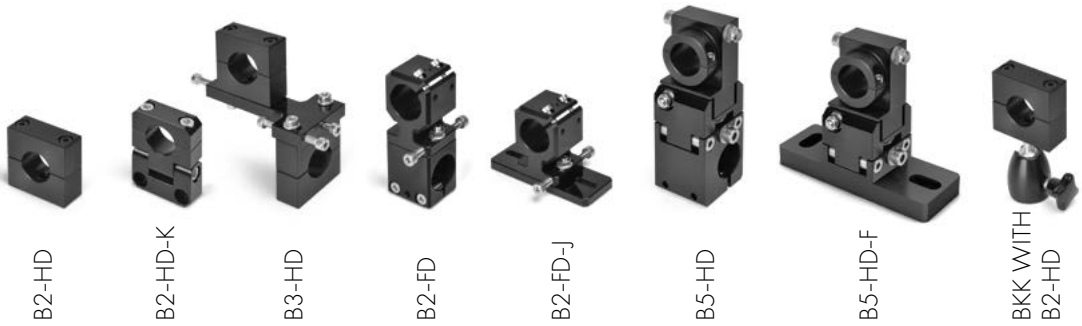


PRODUCT CODE:



ACCESSORIES:

BRACKETS:



B2-HD

B2-HD-K

B3-HD

B2-FD

B2-FD-J

B5-HD

B5-HD-F

BKK WITH
B2-HD

POWER SUPPLY:



CONNECTOR:



**LAP GmbH
Laser Applikationen**

Zeppelinstrasse 23
21337 Lueneburg
Germany

Phone +49 4131 9511-95
Fax +49 4131 9511-96
Email info@lap-laser.com

